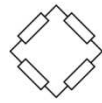


The copying, distribution and utilization of this document as well as the communication of its contents to others without expressed authorization is prohibited. Offenders will be held liable for the payment of damages. All rights reserved in the event of the grant of a patent, utility model or ornamental design registration.

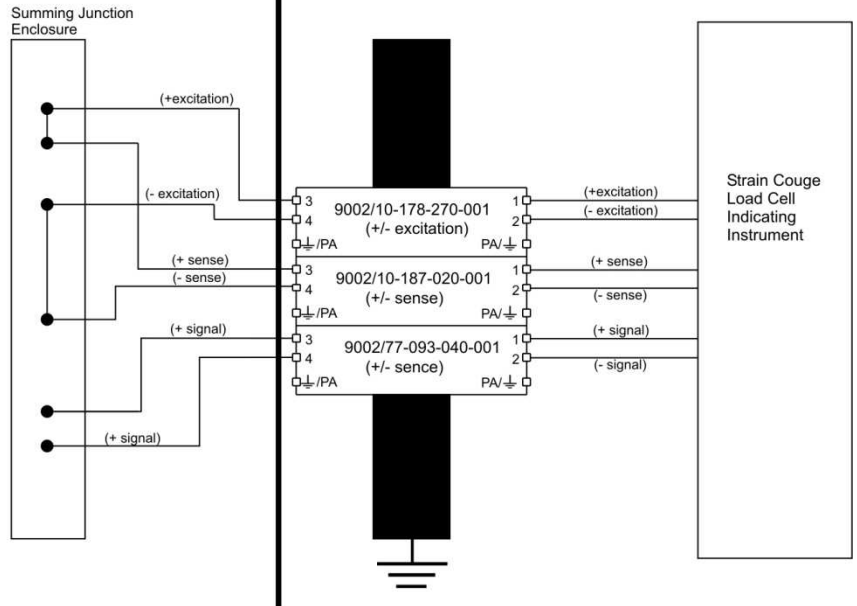
Weitergabe sowie Vervielfältigung dieses Dokuments, Verwertung und Mitteilung seines Inhalts sind verboten, soweit nicht ausdrücklich gestattet. Zuwiderhandlungen verpflichten zu Schadensersatz. Alle Rechte für den Fall der Patent-, Gebrauchsmuster- oder Geschmacksmustererträge vorbehalten.

Safety Barrier Combination
Max. Voltage (V_{oc}) (V_t) = 18.7 V
Max. Current (I_{sc}) (I_t) = 342 mA
 $C_a = 0.37 \mu F$
 $L_a = 0.18 mH$



Hazardous Location
 Class I, II, III, Div.1, Groups A-G

Nonhazardous Location
 or Div.2



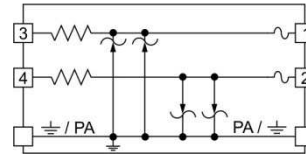
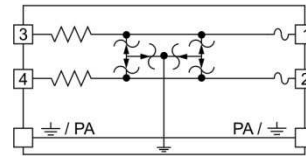
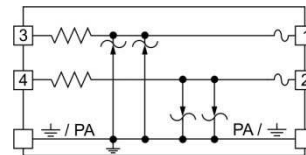
Operational Data

9002/10-187-270-001 (+/- excitation)
 Rated Voltage Channel I + 6 V
 Rated Voltage Channel II - 6 V
 Max. Voltage ± 8 V per channel
 Internal Resistance 46 Ω per channel
 Replaceable Fuse Current 160 mA

9002/77-093-040-001 (+/- signal)
 Rated Voltage ± 6 V
 Max. Voltage ± 7.7 V DC
 Internal Resistance 482 Ω
 Replaceable Fuse Current 160 mA

9002/10-187-020-001 (+/- sense)
 Rated Voltage Channel I + 6 V
 Rated Voltage Channel II - 6 V
 Max. Voltage ± 8 V per channel
 Internal Resistance 482 Ω per channel
 Replaceable Fuse Current 160 mA

Intrinsic Safety Barrier Circuit Schematics



This 3 Intrinsic Safety Barrier configuration provides intrinsically safe connections for Class I, II, III, Div.1, Groups A-G. Installation to be in accordance with ANSI/NFPA 70 NEC, Article 504 and ANSI/ISA- RP12.6 and the Manufacturer's Control Drawings 90 016 11 31 3, 90 026 11 31 3.

F 4830 503

			1995	Date	Name	Certification drawing UL Listed Intrinsic Safety Barrier Configuration for ± 7.5 V DC Load Cell Excitation	Scale none
			Drawn by	Oct.	Tobey		Sheet 1 of 1
			Checked		Kaiser		Agency UL
01	13.08.09	Reistle	STAHL			9000-6UL	
Index	Date	Name				Rep. f.	Rep. t.