

Visual signalling device

Series FL6S/2

Contents

1 General information 3

1.1 Manufacturer 3

1.2 Information regarding the operating instructions 3

1.3 Further documents 3

1.4 Conformity with standards and regulations 3

2 Explanation of symbols 4

2.1 Symbols used in these operating instructions 4

2.2 Warning notes 4

2.3 Symbols on the device 5

3 Safety notes 6

3.1 Operating instructions storage 6

3.2 Personnel qualification 6

3.3 Safe use 6

3.4 Modifications and alterations 7

4 Function and device design 7

4.1 Function 7

4.2 Device design 8

5 Technical data 9

6 Transport and storage 14

7 Mounting and installation 15

7.1 Dimensions/fastening dimensions 15

7.2 Mounting/dismounting, operating position 16

7.3 Installation 17

8 Commissioning 28

8.1 Prerequisites 28

8.2 Testing 28

9 Operation 29

9.1 Troubleshooting 29

10 Maintenance, overhaul, repair 29

10.1 Maintenance and overhaul 29

10.2 Repair 29

10.3 Returning the device 30

11 Cleaning 30

12 Disposal 30

13 Accessories and spare parts 30

1 General information

1.1 Manufacturer

R. STAHL Schaltgeräte GmbH
Business Unit Lighting & Signalling
Nordstr. 10
99427 Weimar
Germany

Tel.: +49 3643 4324
Fax: +49 3643 4221-76
Internet: r-stahl.com
E-mail: info@r-stahl.com

R. STAHL Schaltgeräte GmbH
Am Bahnhof 30
74638 Waldenburg
Germany

Tel.: +49 7942 943-0
Fax: +49 7942 943-4333
Internet: r-stahl.com
E-mail: info@r-stahl.com

1.2 Information regarding the operating instructions

ID no.: 283929 / FL6S60300050
Publication code: 2022-03-04·BA00·III·en·01

The original instructions are the English edition.
They are legally binding in all legal affairs.

1.3 Further documents

- Data sheet
- For documents in other languages, see r-stahl.com.

1.4 Conformity with standards and regulations

IECEX, ATEX, EU Declaration of Conformity and further national certificates can be downloaded via the following link: <https://r-stahl.com/en/global/support/downloads/>.
IECEX is also available at: <http://iecex.iec.ch/>

2 Explanation of symbols

2.1 Symbols used in these operating instructions

Symbol	Meaning
	Tips and recommendations on the use of the device
	General danger
	Danger due to explosive atmosphere




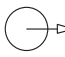


2.2 Warning notes

Warning notes must be observed under all circumstances, in order to minimise the risk resulting from design engineering and operation. The warning notes have the following structure:

- Signalling word: DANGER, WARNING, CAUTION, NOTICE
- Type and source of danger/damage
- Consequences of danger
- Taking countermeasures to avoid the danger or damage

	DANGER
	Danger to persons Non-compliance with the instruction results in severe or fatal injuries to persons.
	WARNING
	Danger to persons Non-compliance with the instruction can result in severe or fatal injuries to persons.
	CAUTION
	Danger to persons Non-compliance with the instruction can result in light injuries to persons.
NOTICE	
Avoiding material damage Non-compliance with these instructions can result in material damage to the device and/or its surroundings.	

2.3 Symbols on the device

Symbol	Meaning
 05594E00	CE marking according to the current applicable directive.
 02198E00	Device certified for hazardous areas according to the marking.
 15649E00	Input
 15648E00	Output
 11048E00	Safety notes that must always be observed: The corresponding data and/or safety-related instructions contained in the operating instructions must be followed for devices with this symbol!
 20690E00	Marking according to WEEE Directive 2012/19/EU

3 Safety notes

3.1 Operating instructions storage

- Carefully read the operating instructions.
- Store the operating instructions at the mounting location of the device.
- Observe applicable documents and operating instructions of the devices to be connected.

3.2 Personnel qualification

Qualified specialist personnel is required to perform the activities described in these operating instructions. This primarily applies to work in the following areas

- Project engineering
- Mounting/dismounting the device
- (Electrical) installation
- Commissioning
- Maintenance, repair, cleaning

Specialists who perform these activities must have a level of knowledge that meets applicable national standards and regulations.

Additional knowledge is required for any activity in hazardous areas!

R. STAHL recommends having a level of knowledge equal to that described in the following standards:

- IEC/EN 60079-14 (Project engineering, selection and construction of electrical systems)
- IEC/EN 60079-17 (Electrical Installations Inspection and Maintenance)
- IEC/EN 60079-19 (Equipment repair, overhaul and reclamation)

3.3 Safe use

Before mounting

- Read and observe the safety notes in these operating instructions!
- Ensure that the contents of these operating instructions are fully understood by the personnel in charge.
- Use the device in accordance with its intended and approved purpose only.
- Always consult R. STAHL Schaltgeräte GmbH if using the device under operating conditions which are not covered by the technical data.
- Make sure that the device is not damaged.
- We cannot be held liable for damage to the device caused by incorrect or unauthorised use or non-compliance with these operating instructions.



For mounting and installation

- Have mounting and installation performed only by qualified and authorised persons (see chapter "Personnel qualification").
- The device is only to be installed in areas for which it is suited based on its marking.
- During installation and operation, observe the information (characteristic values and rated operating conditions) on the rating, data and information plates located on the device.
- Before installation, make sure that the device is not damaged.


Commissioning, maintenance, repair

- Only have commissioning and repairs performed by qualified and authorised persons (see chapter "Personnel qualification").
- Before commissioning, make sure that the device is not damaged.
- Perform only maintenance work described in these operating instructions.

3.4 Modifications and alterations

	DANGER
	<p>Explosion hazard due to modifications and alterations to the device! Non-compliance results in severe or fatal injuries.</p> <ul style="list-style-type: none"> • Do not modify or change the device.
	<p>No liability or warranty for damage resulting from modifications and alterations.</p>

4 Function and device design

	DANGER
	<p>Explosion hazard due to improper use! Non-compliance results in severe or fatal injuries.</p> <ul style="list-style-type: none"> • Use the device only according to the operating conditions described in these operating instructions. • Use the device only for the intended purpose specified in these operating instructions.

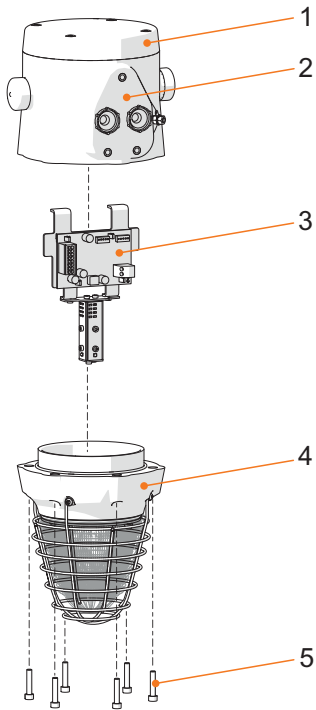
4.1 Function**Application range**

The series FL6S/2 signalling device is intended for use in explosive or harsh environments. It is used in gas hazardous areas in Zones 1 and 2, as well as in dust hazardous areas in Zones 21 and 22.

Mode of operation

When activated, the signalling device emits a visual signal, depending on the configuration and device version.

4.2 Device design



- 1 Enclosure cover
- 2 Enclosure
- 3 PCB

- 4 Flash cover
- 5 Cheese-head screws

23111E00

5 Technical data

Explosion protection

Global (IECEx)

Gas and dust | IECEx EPS 20.0036X
 Ex db IIC T.^{*)} Gb
 Ex tb IIIC T... °C^{*)} Db

Europe (ATEX)

Gas and dust | EPS 20 ATEX 1 076 X
 Ⓢ II 2 G Ex db IIC T.^{*)} Gb
 Ⓢ II 2 D Ex tb IIIC T... °C^{*)} Db

^{*)} Temperature class	T6	T4
Max. surface temperature (tb)	T80 °C	T100 °C
Ambient temperature range	-60 to +50 °C ¹⁾	-60 to +70 °C ²⁾

¹⁾ Loop in/loop out wiring up to max. 10 A
²⁾ Loop in/loop out wiring up to max. 10 A, connection line and cable entries with permissible operating temperature ≥ +90 °C required

Special conditions "X"

Repair work on flameproof joints is only permissible in accordance with the values specified by the manufacturer.
 The strength class of the screws used must be at least A2-70.

Certifications and certificates

Certifications | IECEx, ATEX

Technical data

Technical data

Product weight | 3.04 kg

Electrical data

Rated operational voltage | 21.1 to 24 V DC

Average input power/ max. current consumption	Max. current consumption [mA]	Average power [W]
XENON 5J	350	6.5
LED	400	6.5
In flash mode	1,200	6.5

Class | I (PE connection) (internal + external)

Ambient conditions

Functional ambient temperature range | min. -40 °C
max. ambient temperature see certificate

Mechanical data

Degree of protection | IP66 (IEC/EN 60529)

Material

Enclosure | Glass fibre reinforced polyester

Enclosure colours | Black

Calotte cover | Polycarbonate

Mounting | Stainless steel

Seal | Silicone O-ring seal

Cable entries | 2 cable entries, equipped with:
2 x M20 dust cap, red

Technical data

Visual data

Calculated
max. range

LED disc:		Inform		Alert	
Function		Flashing 1 Hz	Blinking 1 Hz	Flashing 1 Hz	Blinking 1 Hz
Colour	red	45 m	58 m	10 m	13 m
	amber	69 m	89 m	15 m	20 m
	blue	38 m	48 m	8 m	11 m
	green	36 m	46 m	8 m	10 m
	clear	86 m	111 m	19 m	25 m
	opal	74 m	94 m	16 m	21 m
	yellow	83 m	106 m	19 m	24 m
	magenta	19 m	25 m	4 m	6 m
LED tower:		Inform		Alert	
Function		Flashing 1 Hz	Blinking 1 Hz	Flashing 1 Hz	Blinking 1 Hz
Colour	red	52 m	67 m	12 m	15 m
	amber	87 m	111 m	19 m	25 m
	blue	47 m	61 m	11 m	14 m
	green	45 m	57 m	10 m	13 m
	clear	109 m	139 m	24 m	31 m
	opal	92 m	118 m	21 m	26 m
	yellow	104 m	133 m	23 m	30 m
	magenta	24 m	31 m	5 m	7 m
XENON:		Inform		Alert	
Function		Flashing 1 Hz		Flashing 1 Hz	
Colour	red	35 m		8 m	
	amber	62 m		14 m	
	blue	32 m		7 m	
	green	32 m		7 m	
	clear	82 m		18 m	
	opal	57 m		13 m	
	yellow	77 m		17 m	
	magenta	21 m		5 m	

Technical data

Luminous characteristics

Effective luminous intensity

Type		LED disc		LED tower		XENON
Function		Flash- ing 1 Hz	Blink- ing 1 Hz	Flash- ing 1 Hz	Blink- ing 1 Hz	Flashing 1 Hz
Colour	red	41 cd	67 cd	55 cd	90 cd	24 cd
	amber	96 cd	157 cd	151 cd	248 cd	76 cd
	blue	28 cd	47 cd	45 cd	74 cd	20 cd
	green	25 cd	42 cd	40 cd	66 cd	21 cd
	clear	150 cd	245 cd	236 cd	387 cd	136 cd
	opal	108 cd	178 cd	171 cd	280 cd	66 cd
	yellow	138 cd	226 cd	217 cd	356 cd	119 cd
	magenta	7 cd	12 cd	12 cd	19 cd	9 cd

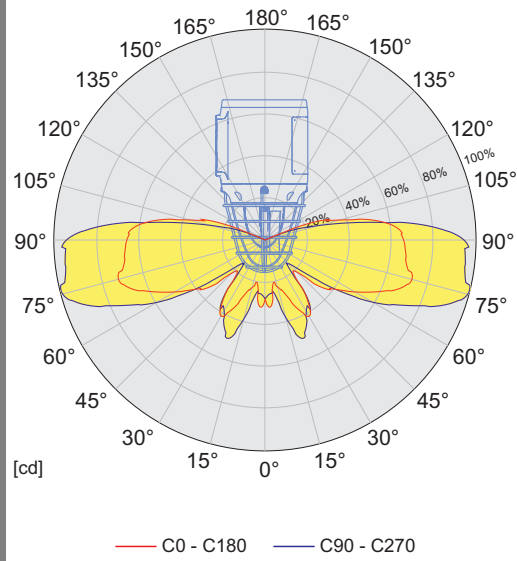
Luminous flux

Type		LED disc	LED tower
Function		Continuous light	Continuous light
Colour	red	99 lm	236 lm
	amber	233 lm	573 lm
	blue	69 lm	170 lm
	green	62 lm	152 lm
	clear	365 lm	895 lm
	opal	264 lm	648 lm
	yellow	335 lm	824 lm
	magenta	18 lm	45 lm

Technical data

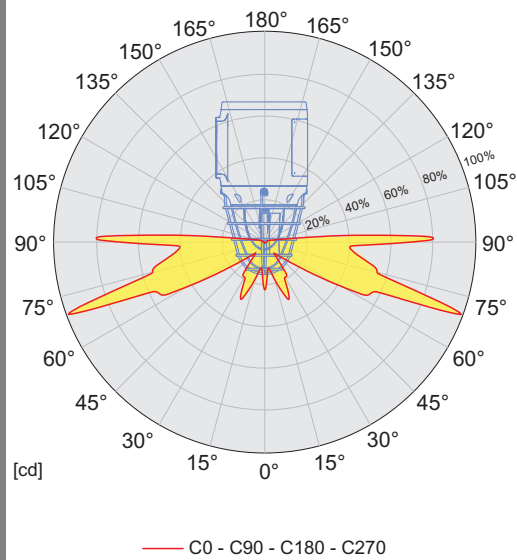
Pole diagram

XENON:



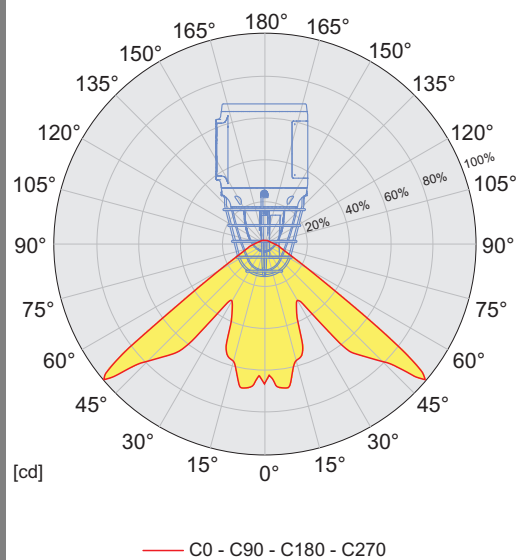
22498E00

LED tower:



22497E00

LED disc:



22496E00

Technical data

Flash energy	XENON: 5 J
Signal function	<p>LED:</p> <ul style="list-style-type: none"> - Continuous light (maximum, dimmed) - Flashing light (single flash, double flash, triple flash 1 Hz/2 Hz/3 Hz) - Blinking light (1 Hz/1.5 Hz/2 Hz) - Rotating light (90^{rpm}, 120^{rpm}, 180^{rpm}) - Chaos light <p>XENON:</p> <ul style="list-style-type: none"> - Flashing light (single flash, 1 Hz)

Mounting/installation

Connection type	PUSH-IN terminal
Connection terminals	<p>Solid: 0.5 to 2.5 mm²</p> <p>Finely stranded: 0.5 to 2.5 mm²</p>
Scope of delivery	<ul style="list-style-type: none"> - Signalling device according to configuration - L-bracket - Dust caps

For further technical data, see r-stahl.com.

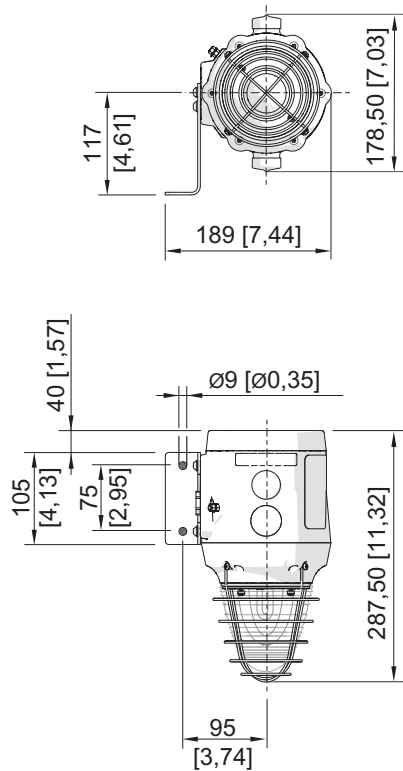
6 Transport and storage

- Transport and store the device only in the original packaging.
- Store the device in a dry place (no condensation) free of vibrations.
- Do not drop the device.

7 Mounting and installation




7.1 Dimensions/fastening dimensions

Dimensional drawings (all dimensions in mm [inch]) – Subject to change



17149E00

7.2 Mounting/dismounting, operating position

	<p style="text-align: center;">DANGER</p> <p>Explosion hazard due to improper mounting! Non-compliance results in severe or fatal injuries.</p> <ul style="list-style-type: none"> • Only operate the device if it is not damaged. If the thread is damaged, replace the device immediately. • Only install the device in a clean and dry operating environment. • Only mount the device on a wall or on a suitable surface. • Carefully protect exposed joint surfaces from damage, dust and dirt. • Install end flanges without applying force (without hammer and tool) in straight alignment. • If necessary, fit core end sleeves gas-tight and using a suitable tool.
	<p style="text-align: center;">DANGER</p> <p>Explosion hazard due to electrostatic discharge! Non-compliance results in severe or fatal injuries.</p> <p>Do not use the device in strong charge-generating environments!</p> <p>The following processes/activities should be avoided:</p> <ul style="list-style-type: none"> • Accidental friction • Particle flows
	<p style="text-align: center;">DANGER</p> <p>Explosion hazard due to open drilled holes, unused cable entries and cable glands! Non-compliance results in severe or fatal injuries.</p> <ul style="list-style-type: none"> • Only use cable entries and stopping plugs that have been separately checked and certified in accordance with Directive 2014/34/EU (ATEX) and IECEx (CoC), and which technically correspond to the state of technology given in the certificate. • The IP level of protection of the cable entries and stopping plugs must at least correspond to the IP level of protection of the device (see marking on the device). • When selecting cable entries, observe the type of thread and thread size in the component documentation. • Seal the thread with non-curing thread sealant in order to guarantee the IP66 degree of protection. • Always close unused drilled holes, cable entries and cable glands using approved stopping plugs or plugs. Observe IEC/EN 60079-14 for this. • Installation of the cable gland must be performed in accordance with the manufacturer's instructions. • The cable entry temperature may exceed 70 °C.

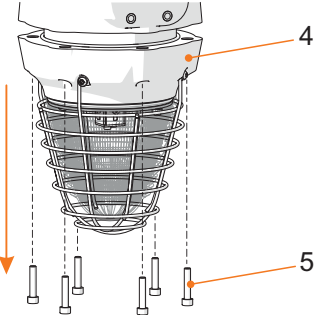
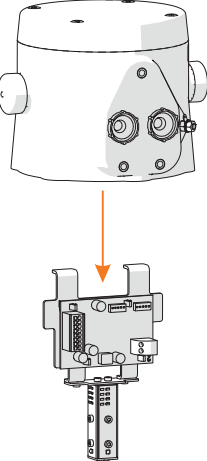
- Select a mounting location that is suitable for the signal effect of the device, as well as the required mounting and installation parameters (see "Technical data" chapter).
- Mount the device on a flat surface using the L-bracket and screw holes.
- Mount suitable approved electrical lines (see "Technical data" chapter) using a suitable flameproof cable entry.
- Close unused entries using certified, flameproof stopping plugs.

7.3 Installation


The electrical installation and configuration of the device is performed in the following sequence:

- Dismounting the device (see chapter 7.3.1)
- Electrical connections (see chapter 7.3.2)
- Configuration (see chapter 7.3.3)
- Mounting the device (see chapter 7.3.4)
- Mounting the earth connection (see chapter 7.3.5)

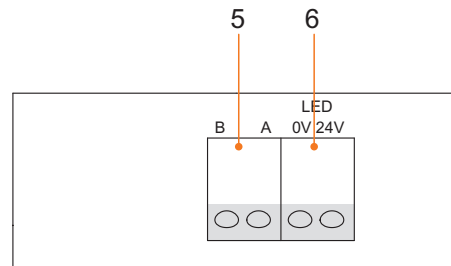
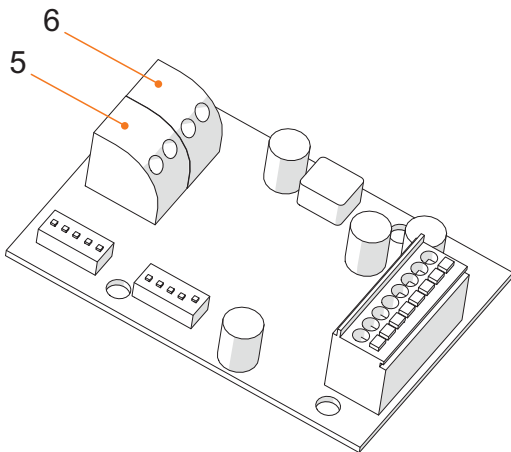
7.3.1 Dismounting the device

 <p style="text-align: right; font-size: small;">23112E00</p>	<ul style="list-style-type: none"> • Loosen the six cheese-head screws (5) and remove them from the flash cover (4).
 <p style="text-align: right; font-size: small;">23113E00</p>	<ul style="list-style-type: none"> • Carefully pull the PCB out of the enclosure.

7.3.2 Electrical connections

	DANGER
	<p>Explosion hazard due to insufficient protective measures! Non-compliance results in severe or fatal injuries.</p> <ul style="list-style-type: none"> • Select suitable conductors to ensure that the maximum permissible conductor temperatures are not exceeded. • When using core end sleeves, attach them using a suitable tool. • The conductor insulation must be touching the terminal. • Do not damage the conductor (e.g. nicking) when stripping it. • Finally, check the conductor to ensure that it is secure (fixed).

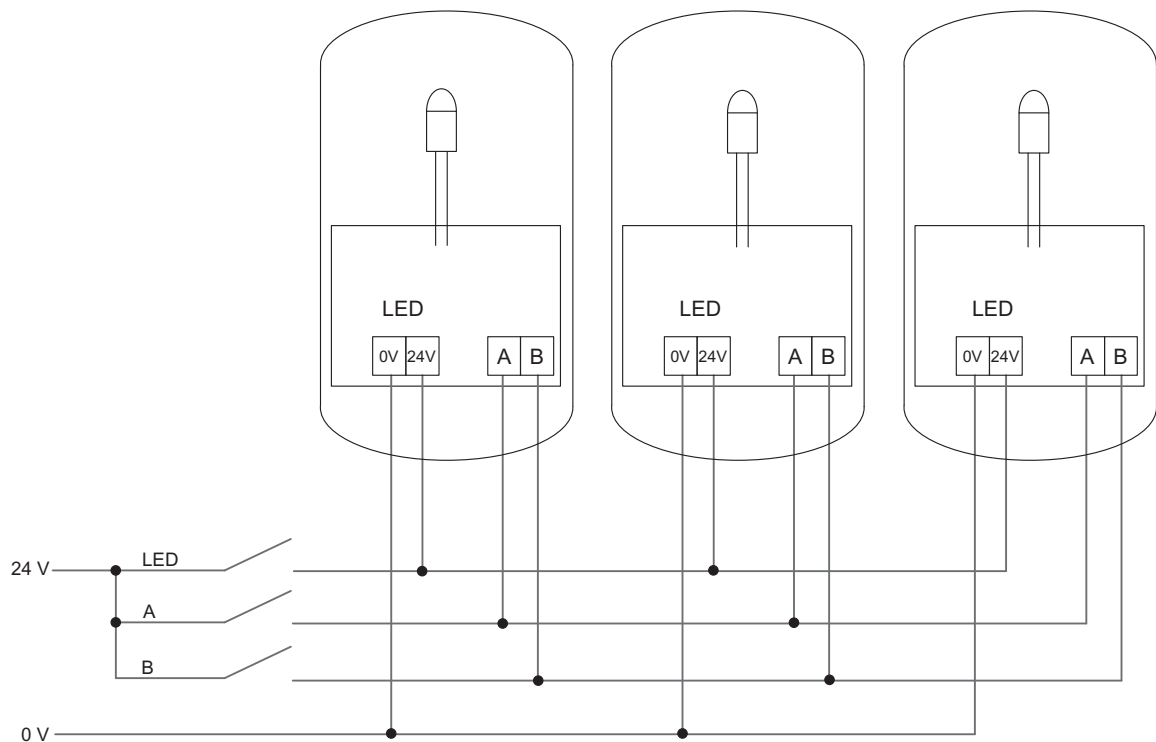
- Lay the pre-installed cabling in the intended electrical connections – see figure.



22797E00

22796E00

- 5 Control (A/B signal)
- 6 Power supply



22798E00

Example: Connection diagram for combining multiple devices

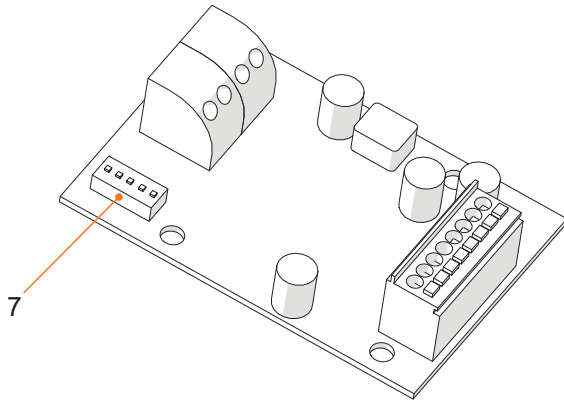
When doing so:

- Observe the maximum permissible single wire cross-sections for the connection terminals – see "Technical data" chapter.
- Only such cable entries and stopping plugs may be installed that have been separately tested and certified according to Directive 2014/34/EU (ATEX) and IECEx (CoC); they must also comply technically with the standard version stated in the certificate.
- Use electrical lines with a minimum length of 3 m or a cable gland with compound.

7.3.3 Configuration

The configuration of the device is performed by adjusting the DIP switch on the PCB. The following general/visual configuration options are available:

XENON circuit board



22846E00

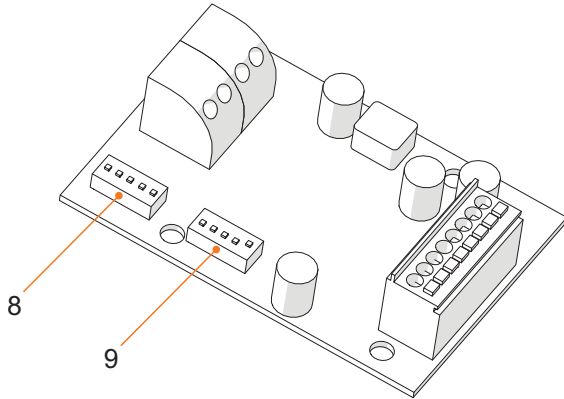
	DIP switch designation	Function
7	SW1	General settings

"SW1" DIP switch

1	2	3	4	5	
				ON	Reserved
				OFF	Reserved
			ON		Reserved
			OFF		Reserved
		ON			Reserved
		OFF			Reserved
	ON				Reserved
	OFF				Reserved
ON					RI ACTIVATION Active switching via B signal
OFF					RI DEACTIVATION Regular switching

General settings RI ACTIVATION	A/B control signal		Emitted signal	
	A	B	Signal	Signal selection
0	0	0	XENON 1 Hz	SW1
0	1	0	XENON 1 Hz	SW1
0	0	1	XENON 1 Hz	SW1
0	1	1	XENON 1 Hz	SW1
1	0	0	Signal deactivated	SW1
1	1	0	Signal deactivated	SW1
1	0	1	XENON 1 Hz	SW1
1	1	1	XENON 1 Hz	SW1

LED circuit board



22799E00

	DIP switch designation	Function
8	SW1	Visual functions
9	SW2	General settings

"SW2" DIP switch

1	2	3	4	5	
				ON	LED ECO MODE (current consumption reduced by up to 50%)
				OFF	LED POWER MODE (max. power)
			ON		LED disc
			OFF		LED tower
		ON			Reserved
		OFF			Reserved
	ON				Reserved
	OFF				Reserved
ON					RI ACTIVATION Active switching via B signal
OFF					RI DEACTIVATION Regular switching

General settings RI	A/B control signal		Emitted signal	
	A	B	Signal	Signal selection
ACTIVATION				
0	0	0	LED prog.1	SW1
0	1	0	LED prog.2	SW1
0	0	1	LED prog.3	SW1
0	1	1	LED prog.4	SW1
1	0	0	Signal deactivated	SW1
1	1	0	Signal deactivated	SW1
1	0	1	LED prog.1	SW1
1	1	1	LED prog.2	SW1

Visual settings

DIP switch "SW1" function tower, monochrome

SW3					LED prog1		LED prog2		LED prog3		LED prog4	
1	2	3	4	5	A	B	A	B	A	B	A	B
0	0	0	0	0	0	0	1	0	0	1	1	1
0	0	0	0	0	Continuous light		Double flash 1 Hz		Blinking light 1 Hz		Rotating light 120 rpm	
1	0	0	0	0	Blinking light 1 Hz		Continuous light (dimmed)		Blinking light 1.5 Hz		Blinking light 2 Hz	
0	1	0	0	0	Blinking light 1.5 Hz		Continuous light		Blinking light 1 Hz		Triple flash 1 Hz	
1	1	0	0	0	Blinking light 2 Hz		Continuous light		Blinking light 1 Hz		Triple flash 1 Hz	
0	0	1	0	0	Single flash 1 Hz		Continuous light		Double flash 1 Hz		Triple flash 1 Hz	
1	0	1	0	0	Double flash 1 Hz		Continuous light		Triple flash 1 Hz		Triple flash 2 Hz	
0	1	1	0	0	Triple flash 1 Hz		Continuous light		Triple flash 2 Hz		Single flash 1 Hz	
1	1	1	0	0	Single flash 2 Hz		Continuous light		Double flash 2 Hz		Triple flash 2 Hz	
0	0	0	1	0	Continuous light		Rotating light 90 rpm		Rotating light 120 rpm		Rotating light 180 rpm	
1	0	0	1	0	Continuous light		Rotating light 90 rpm		Blinking light 1 Hz		Blinking light 2 Hz	
0	1	0	1	0	Continuous light		Rotating light 120 rpm		Blinking light 1 Hz		Blinking light 2 Hz	
1	1	0	1	0	Continuous light		Rotating light 180 rpm		Blinking light 1 Hz		Blinking light 2 Hz	
0	0	1	1	0	Continuous light		Rotating light 90 rpm		Single flash 1 Hz		Triple flash 1 Hz	
1	0	1	1	0	Continuous light		Rotating light 120 rpm		Single flash 1 Hz		Triple flash 1 Hz	
0	1	1	1	0	Continuous light		Rotating light 180 rpm		Single flash 1 Hz		Triple flash 1 Hz	
1	1	1	1	0	Continuous light		Rotating light 90 rpm		Triple flash 1 Hz		Chaos light	

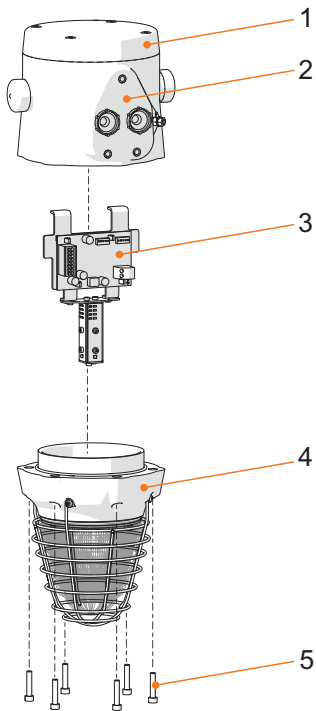
SW3					B = RI/TI	
1	2	3	4	5	A	A
0	0	0	0	0	0	1
0	0	0	0	0	Continuous light	
1	0	0	0	0	Blinking light 1 Hz	
0	1	0	0	0	Blinking light 1.5 Hz	
1	1	0	0	0	Blinking light 2 Hz	
0	0	1	0	0	Single flash 1 Hz	
1	0	1	0	0	Double flash 1 Hz	
0	1	1	0	0	Triple flash 1 Hz	
1	1	1	0	0	Single flash 2 Hz	
0	0	0	1	0	Continuous light	
1	0	0	1	0	Continuous light	
0	1	0	1	0	Continuous light	
1	1	0	1	0	Continuous light	
0	0	1	1	0	Continuous light	
1	0	1	1	0	Continuous light	
0	1	1	1	0	Continuous light	
1	1	1	1	0	Continuous light	

DIP switch "SW1" function disc, monochrome

					LED prog1		LED prog2		LED prog3		LED prog4	
SW3					A	B	A	B	A	B	A	B
1	2	3	4	5	0	0	1	0	0	1	1	1
0	0	0	0	0	Continuous light		Double flash 1 Hz		Blinking light 1 Hz		Continuous light (dimmed)	
1	0	0	0	0	Blinking light 1 Hz		Continuous light (dimmed)		Blinking light 1.5 Hz		Blinking light 2 Hz	
0	1	0	0	0	Blinking light 1.5 Hz		Continuous light		Blinking light 1 Hz		Triple flash 1 Hz	
1	1	0	0	0	Blinking light 2 Hz		Continuous light		Blinking light 1 Hz		Triple flash 1 Hz	
0	0	1	0	0	Single flash 1 Hz		Continuous light		Double flash 1 Hz		Triple flash 1 Hz	
1	0	1	0	0	Double flash 1 Hz		Continuous light		Triple flash 1 Hz		Triple flash 2 Hz	
0	1	1	0	0	Triple flash 1 Hz		Continuous light		Triple flash 2 Hz		Single flash 1 Hz	
1	1	1	0	0	Single flash 2 Hz		Continuous light		Double flash 2 Hz		Triple flash 2 Hz	

					B = RI/TI	
SW3					A	A
1	2	3	4	5	0	1
0	0	0	0	0	Continuous light	
1	0	0	0	0	Blinking light 1 Hz	
0	1	0	0	0	Blinking light 1.5 Hz	
1	1	0	0	0	Blinking light 2 Hz	
0	0	1	0	0	Single flash 1 Hz	
1	0	1	0	0	Double flash 1 Hz	
0	1	1	0	0	Triple flash 1 Hz	
1	1	1	0	0	Single flash 2 Hz	

7.3.4 Mounting the device



- 1 Enclosure cover
- 2 Enclosure
- 3 PCB

- 4 Flash cover
- 5 Cheese-head screws

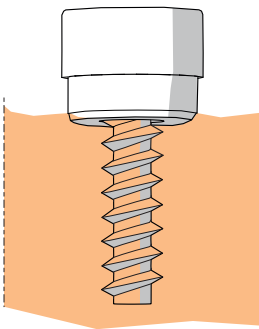
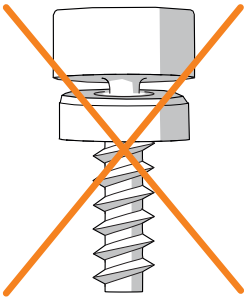
2311E00

i

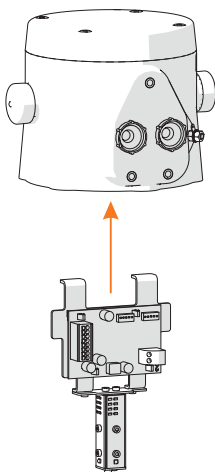
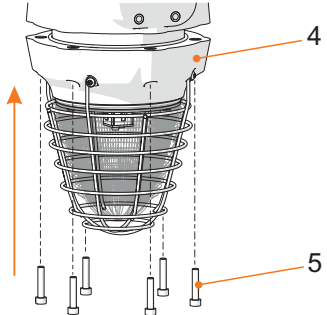
Screws and seals

The cheese-head screws are delivered with Nyltite seals.

- Before mounting, check the seals for damage.
- Replace damaged seals.
- Use seals a maximum of 5 times.
- When using screws on a flat surface, note the seal on the screw head – see figure.





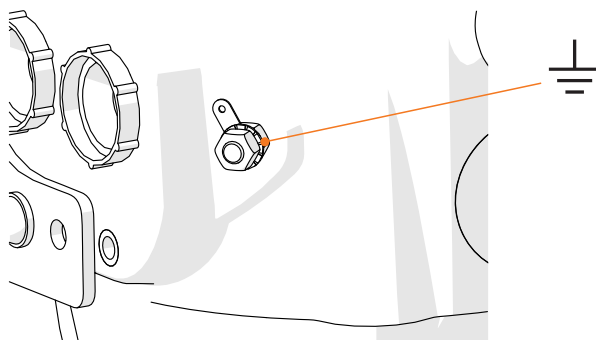
15748E00

 <p style="text-align: right; font-size: small;">23114E00</p>	<ul style="list-style-type: none"> Carefully insert the PCB into the guides provided for it in the enclosure.
 <p style="text-align: right; font-size: small;">23115E00</p>	<ul style="list-style-type: none"> Carefully place the flash cover (4) on the enclosure and secure it using six cheese-head screws (5) (tightening torque 4 Nm).

7.3.5 Mounting the earth connection

- Connect the internal earth connection as the primary connection point.


	<p>The external connection can be used as an additional equipotential bonding conductor, provided that it is permissible or required in accordance with local regulations or by the authorities.</p>
---	--



17191E00

8 Commissioning

8.1 Prerequisites

	DANGER
	<p>Explosion hazard due to incorrect installation! Non-compliance results in severe or fatal injuries.</p> <ul style="list-style-type: none"> • Check the device for proper installation before commissioning. • Comply with national regulations.

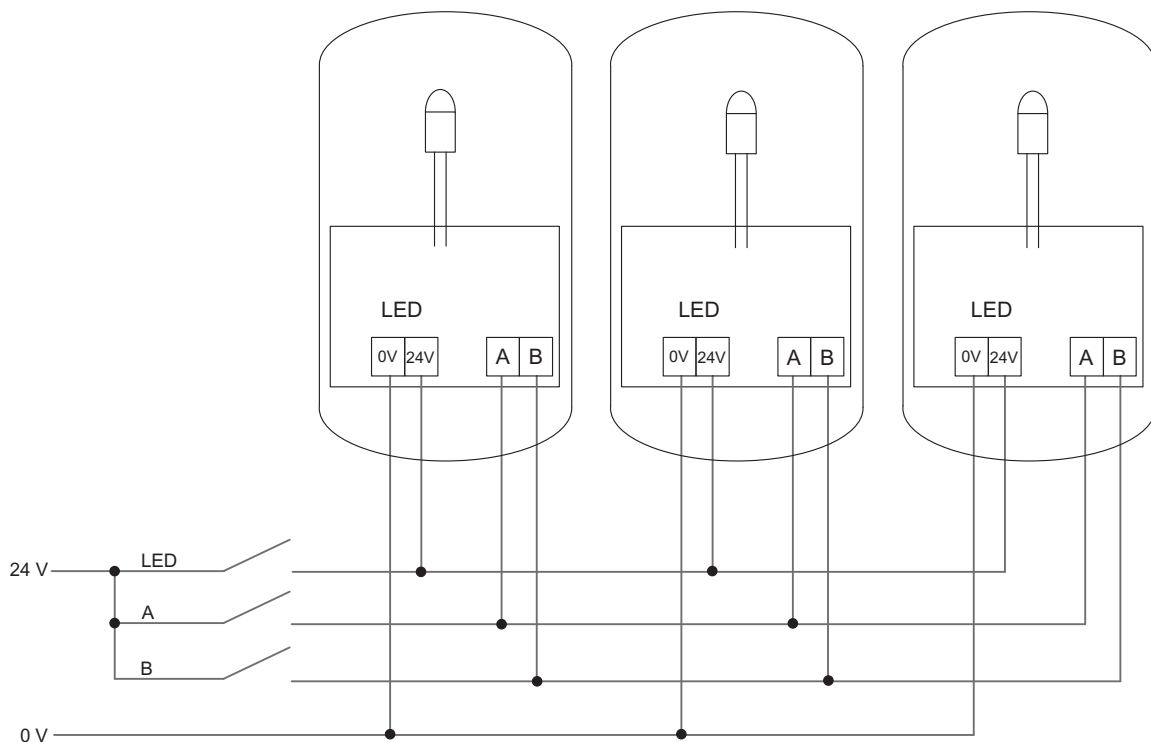
Before commissioning, ensure that:

- the device has been installed according to regulations.
- the line voltage and the rated operational voltage of the device are consistent.
- the permissible cable diameter for the cable entries has been used.
- the cable entries and stopping plugs have been securely tightened.
- the electrical lines have been inserted correctly.
- the connection has been performed correctly.
- all screws and nuts have been tightened according to regulations.
- the connection chamber is clean.
- the device is not damaged.
- there are no foreign objects inside the device.
- the device is closed according to regulations.

8.2 Testing

For commissioning, the line voltage must correspond to the rated operational voltage. When doing so, the following pre-configured functions can be tested, see figure:

- Visual signal
- Control functions (A/B signal)



22798E00

9 Operation

The device is used to warn and alert by means of

- a visual signal.

9.1 Troubleshooting

If the error cannot be eliminated using the specified procedures:

- Contact R. STAHL Schaltgeräte GmbH.


For rapid processing, have the following information ready:

- Type and serial number of the device
- Purchase information
- Error description
- Intended purpose (especially input/output circuit)

10 Maintenance, overhaul, repair

10.1 Maintenance and overhaul


- Consult the relevant national regulations to determine the type and extent of inspections.
- Tailor inspection intervals to the operating conditions.
- Perform maintenance and repair work in accordance with IEC 60079-17 and IEC 60079-19.

	Observe the relevant national regulations in the country of use.
---	--

At a minimum, check the following points during maintenance on the device:

- Whether the clamping screws holding the electrical lines fit securely
- Whether the device has cracks or other visible signs of damage
- Whether the seals have aged or been damaged
- Whether the permissible temperatures are complied with (according to EN 60079)
- Whether the device is used as intended and functions properly

10.2 Repair

	DANGER
	<p>Explosion hazard due to improper repair! Non-compliance results in severe or fatal injuries.</p> <ul style="list-style-type: none"> • Repair work on the devices must be performed only by R. STAHL Schaltgeräte GmbH.

10.3 Returning the device

- Only return or package the devices after consulting R. STAHL!
Contact the responsible representative from R. STAHL.

R. STAHL's customer service is available to handle returns if repair or service is required.

- Contact customer service personally.

or

- Go to the r-stahl.com website.
- Under "Support" > "RMA" > select "RMA-REQUEST".
- Fill out the form and send it.
You will automatically receive an RMA form via email.
Please print this file off.
- Send the device along with the RMA form in the packaging to
R. STAHL Schaltgeräte GmbH (refer to chapter 1.1 for the address).


11 Cleaning

- Devices located in hazardous areas may only be cleaned with a damp cloth to avoid electrostatic charge.
- When cleaning with a damp cloth, use water or mild, non-abrasive, non-scratching cleaning agents.
- Do not use abrasive cleaning agents or solvents.
- Never clean the device with a strong water jet, e.g. a pressure washer.

12 Disposal

- Observe national, local and statutory regulations regarding disposal.
- Separate materials for recycling.
- Ensure environmentally friendly disposal of all components according to statutory regulations.

13 Accessories and spare parts

NOTICE	
<p>Malfunction or damage to the device due to the use of non-original components. Non-compliance may lead to material damage!</p> <ul style="list-style-type: none"> • Use only original accessories and spare parts from R. STAHL Schaltgeräte GmbH. 	
	<p>For accessories and spare parts, see the data sheet on our homepage r-stahl.com.</p>

EU-Konformitätserklärung
EU Declaration of Conformity
Déclaration de Conformité UE





R. STAHL Schaltgeräte GmbH • Am Bahnhof 30 • 74638 Waldenburg, Germany
 erklärt in alleiniger Verantwortung, *declares in its sole responsibility, déclare sous sa seule responsabilité,*

dass das Produkt: **Akustische und optische Signalgeräte**
that the product: Audible and visual signalling devices
que le produit: Appareil de signalisation sonore et lumineux

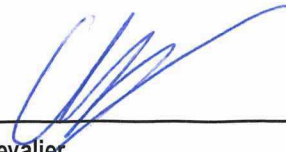
Typ(en), type(s), type(s): **YL6S/2, YA6S/2, FL6S/2, FX15/2**

mit den Anforderungen der folgenden Richtlinien und Normen übereinstimmt.
is in conformity with the requirements of the following directives and standards.
est conforme aux exigences des directives et des normes suivantes.

Richtlinie(n) / Directive(s) / Directive(s)	Norm(en) / Standard(s) / Norme(s)
2014/34/EU ATEX-Richtlinie 2014/34/EU <i>ATEX Directive</i> 2014/34/UE <i>Directive ATEX</i>	EN IEC 60079-0:2018 EN 60079-1:2014 EN 60079-31:2014
Kennzeichnung, marking, marquage:	 II 2 G Ex db IIC T6/T4 Gb II 2 D Ex tb IIIC T 80 °C/T100 °C Db 
EU-Baumusterprüfbescheinigung: <i>EU Type Examination Certificate:</i> <i>Attestation d'examen UE de type:</i>	EPS 20 ATEX 1076 X (Bureau Veritas Consumer Products Services Germany GmbH, Businesspark A96, 86842 Tuerkheim, Germany)
Produktnormen nach Niederspannungsrichtlinie: <i>Product standards according to Low Voltage Directive:</i> <i>Normes des produit pour la Directive Basse Tension:</i>	EN 60598-1:2015/ A1:2018 EN 62471:2008
2014/30/EU EMV-Richtlinie 2014/30/EU <i>EMC Directive</i> 2014/30/UE <i>Directive CEM</i>	EN 50130-4:2011/ A1:2014 EN 61000-3-2:2014 EN 61000-3-3:2013 EN 61000-6-3:2007/+ A1:2011/ AC:2012
2011/65/EU RoHS-Richtlinie 2011/65/EU <i>RoHS Directive</i> 2011/65/UE <i>Directive RoHS</i>	EN IEC 63000:2018

Waldenburg, 2021-12-02

Ort und Datum
Place and date
Lieu et date

i.V. 

Dr. C. Chevalier
Vice President BU Lighting & Signalling
Vice-Président BU Eclairage & Appareils de signalisation

i.V. 

J. Freimüller
Vice President global Quality Management
Vice-Président globale Gestion de Qualité