

## Multi-cable for camera connections

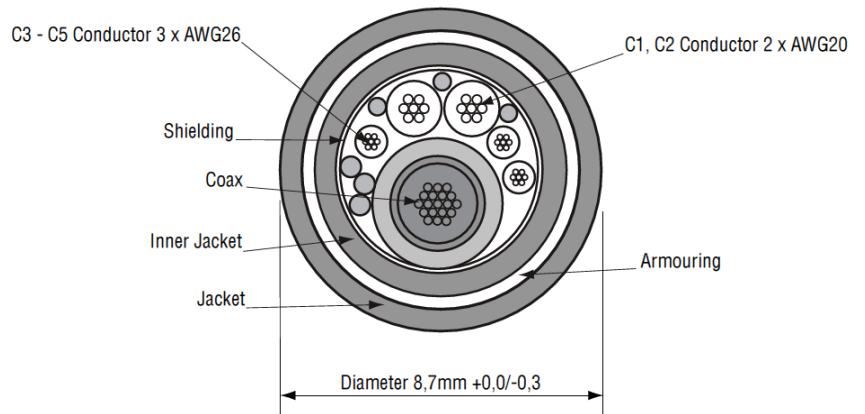
# VB-CAM-MULTI-01-ARM

Armored multi cable for the EC-710-0xx and analogue EC-750 Dome cameras.  
Includes all necessary wires for power supply and picture transfer, for the EC-750 Dome there are wires for the serial connection included.  
The cable is Mud and oil resistant.

Temperature Range:  
Ambient temperature range  
Operation  
-40°C...+85°C

Camera Types:  
EC-710-0xx  
EC-750-Analogue

### Cable Section



# VB-CAM-MULTI-01-ARM



Data sheet 2013 | R1-0 | EN

## Technical Data

Armouring	Galvanised steel, braided coverage approx.>75%
Overall Shielding	Tinned copper, braided >95%
Coax Cable	Coax Cable 1 x AWG26, 19 x 0,10 mm, RG59 specification
Coax Impedance	75 Ω
Coax Shield	Shield braided coverage approx. >85%, White Foam skin PE
C1, C2 Conductor	2 x AWG20, 19 x 0,20 mm, tinned copper. Colour: Red, Black
C3 to C5 Conductor	3 x AWG26, 19 x 0,10 mm, tinned copper. Colour: Yellow, Orange, Grey
Jacket material	PUR
Jacket Diameter	Overall diameter 8,7mm +0,0/-0,3mm
Jacket Color	Black RAL 9005
Inner Jacket Material	PVC
Inner Jacket Diameter	Diameter 6mm +/-0,2mm
Inner Jacket Color	Black RAL 9005
Approvals	Mud resistant, Oil according VDE 0472 part 803/B, Flame retardant according to IEC 332.1 Cable Jacket is halogen free, conductors are not halogen free Cable comply with IEC 60332-3-25 cat D standards
Min. bending radius	Static: 87mm