

Multi-cable for camera connections

VB-CAM-MULTI-15-UNI

Multi cable for the EC-710-0xx and analogue EC-750 Dome cameras.
Includes all necessary wires for power supply and picture transfer, for the EC-750 Dome there are wires for the serial connection included.

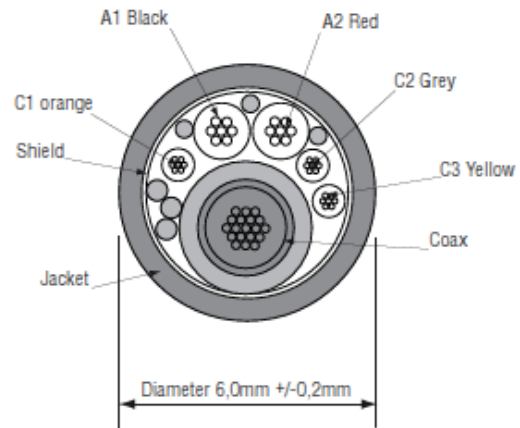
Camera Types:

- EC-710-0xx
- EC-750-PA-VI-PE

Temperature Range:

-40°C to +85°C

IP Protection:



VB-CAM-MULTI-15-UNI

Data sheet 2014 | R1-0 | EN



Technical data

Armouring	Galvanised steel, braided >75%
Overall shielding	Tinned copper, braided >95%
Coax	Coax Cable 1 x AWB26, 19 x 0,10 mm Shield Braided >85%, White Foam skin PE
C1, C2 Conductor	2 x AWG20, 19 x 0,20mm, tinned copper Colour: Black, Red
C3 to C5 Conductor	3 x AWG26, 19 x 0,10mm, tinned copper Colour: Yellow, Orange, Grey
Jacket	PUR, overall diameter 8,7mm +0,0/-0,3mm, Colour: Black RAL 9005
Inner jacket	VC, diameter 6mm +/-0,2mm, Colour: Black RAL 9005
Temperature range	-40°...+85°C
Impedance coax	75 Ω
Flame-retardant	According to IEC 332-1
Halogenfree	Cable jacket is halogenfree, conductors are not halogenfree