

## Junction Box for Heat Tracing - Pipe Mounted Series TEF 1058

TRANBERG®

STAHL



- > High degree of protection, IP66/67 standard, IP68 can be delivered upon request
- > Drainage flange in box prevents penetration of water
- > Manufactured in acid proof stainless steel (AISI 316L)
- > Tailor made size and performance is possible
- > Stainless steel type label spot welded to the cover
- > Several earthing alternatives
- > Maximum strength and corrosion resistance
- > Low lifetime maintenance cost

www.stahl.de



14051E00



E6

The TEF 1058 are used for a wide range of installations, normal solutions are: Electro, instrument, telecom market, ESD's, control stations i. e.

	ATEX					
Zone	0	1	2	20	21	22
For use in		x	x			

### Explosion Protection

#### Marking

Europe (ATEX) | II 2 GD EEx e II T6

#### Certificates

Europe (ATEX) | NEMKO 01ATEX097  
CSA 216432

WebCode T1058E

## Junction Box for Heat Tracing - Pipe Mounted

Series TEF 1058



Selection Table

Version	Picture	Equipped with	Order number
Junction box for heat tracing with 4 pc. dia 25 mm entries	 14052E00	1 x Transition unit TEF 7721 with M25 entry 4 x Terminals PHOENIX MXK 4 E 2 x Terminals PHOENIX MBK 6/E 4 x Dia 25 mm entries for power cable in junction box	TEF10581006
Junction box for heat tracing with 3 pc. dia 25 mm entries	 14052E00	1 x Transition unit TEF 7721 with M25 entry 4 x Terminals PHOENIX MXK 4 E 2 x Terminals PHOENIX MBK 6/E 3 x Dia 25 mm entries for power cable in junction box	TEF10580506
Junction box for heat tracing with 1 pc. cable gland, 1 pc. stopping plug and 1 pc. drainplug	 14053E00	1 x Transition unit TEF 7721 with M25 entry 2 x Cable glands for power cable type: E204/3B/M25 1 x Stopping plug M25, brass 4 x Terminals PHOENIX MXK 4 Ex 2 x Terminals PHOENIX MBK 6/E 1 x Trafolyte table	TEF9177089
Junction box for heat tracing with 5 pc. dia 25 mm entries	 14054E00	2 x Transition unit TEF 7721 with M25 entry 6 x Terminals PHOENIX UK6N 5 x Dia 25 mm entries for power cable in junction box	TEF10581506
Junction box for heat tracing with 5 pc. dia 25 mm entries	 14055E00	1 x Transition unit TEF 7720D, SS316L with M25 stopping plugs (brass) 5 x Dia 25 mm entries with stopping plugs (brass) in junction box 10 x Terminals PHOENIX UK6N 1 x Trafolyte table 1 pair adaptor for 3" pipe or larger, SS316L	TEF9177008


# Junction Box for Heat Tracing - Pipe Mounted

## Series TEF 1058

TRANBERG®

STAHL

### Selection Table

Version	Picture	Equipped with	Order number
Junction box for heat tracing with 2 pc. cable gland, 1 pc. stopping plug and 1 pc. drainplug		2 x Transition unit TEF 7721 with M25 entries 2 x Cable glands for power cable type: E204/3B/M25 2 x Stopping plugs M25, brass 9 x Terminals PHOENIX UK6N 1 x Trafolyte lable 1 x Drainplug M25	TEF9177091

### Technical Data

#### Electrical data

Rated voltage	Voltage	420 V (max. 4 mm <sup>2</sup> )	750 V (max. 10 mm <sup>2</sup> )
	Junction box		TEF10581006
		TEF10580506	TEF9177008
		TEF9177089	TEF9117091

#### Mechanical data

Enclosure material	Material	AISI 316L / EN1.4404 Bright chemical dip	AISI 316L / EN1.4404 Electro polished
	Junction box		TEF10581006
		TEF10580506	
		TEF9177089	
		TEF10581506	
		TEF9117091	
Degree of protection	IP66 / IP67		

### Accessories and Spare Parts

Designation	Description	Order number
Connection kit	for Thermon cables KSX and HTSX, gasket 5 x 11	TEF9177223
	for Thermon cables BSX and VSX, gasket 5 x 13	TEF9177217
	for Thermon cables TSX and RSX, gasket 5 x 15	TEF9177218
Cable gland for power cable	E204 / 3B / M25 - 9 mm; $\varnothing$ 13 ... 17.1 mm; with lock nut	TEF9147118
	E204 / 3A / M25 - 9 mm; $\varnothing$ 14.1 ... 20.1 mm; with lock nut	TEF9147119
Stopping plug	M25 - 9 mm; with lock nut	TEF9147113
Drain plug	M25 - 9 mm; with lock nut	TEF7302106

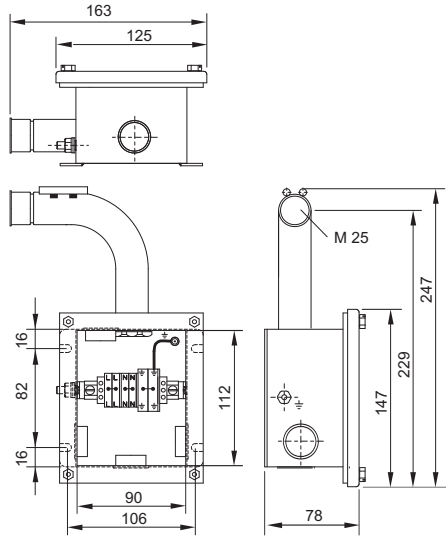
E6

# Junction Box for Heat Tracing - Pipe Mounted

## Series TEF 1058

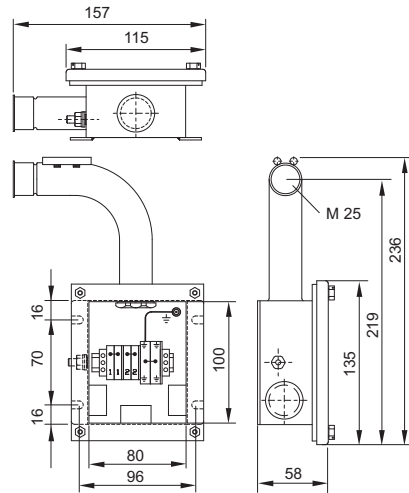


**Dimensional Drawings** (All Dimensions in mm) - Subject to Alterations



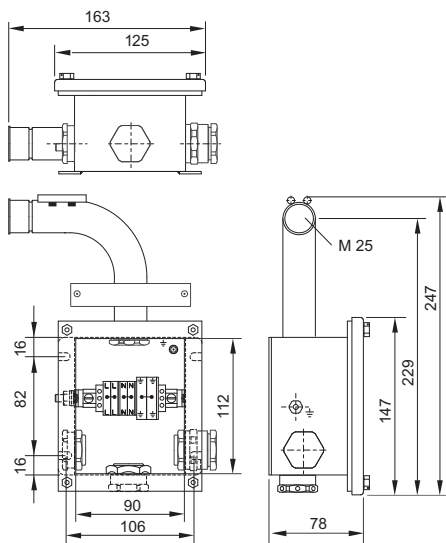
**Junction box TEF10581006**

12375E00



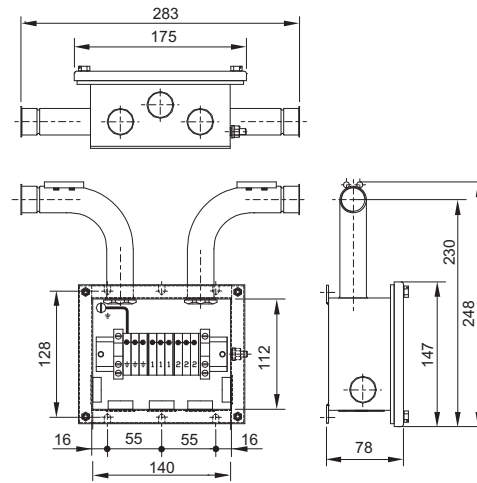
**Junction box TEF10580506**

12374E00



**Junction box TEF9177089**

12376E00



**Junction box TEF10581506**

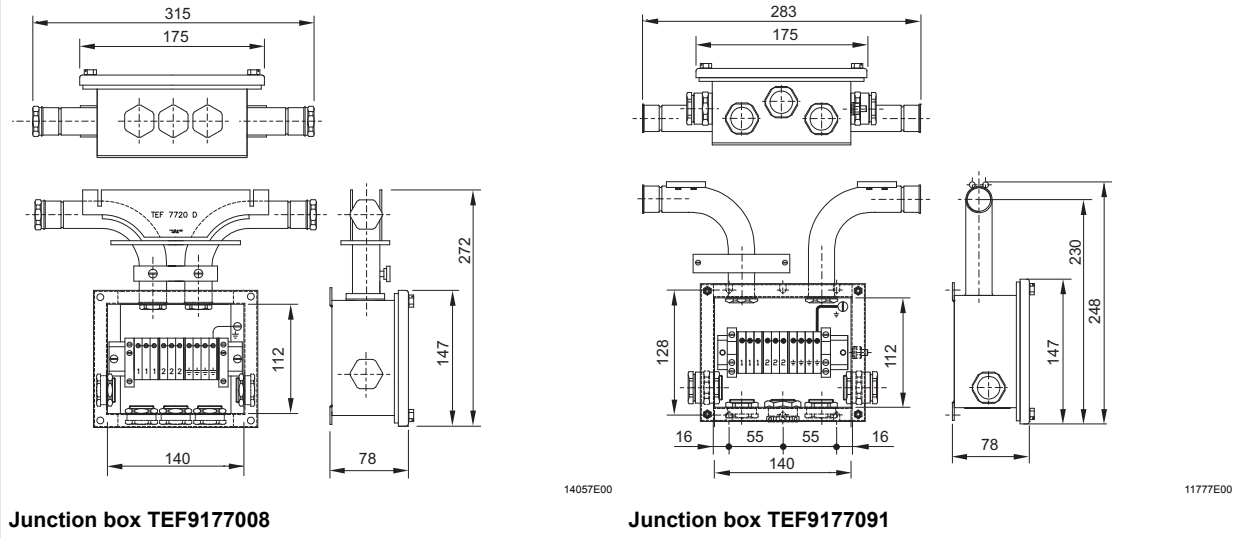
11776E00

# Junction Box for Heat Tracing - Pipe Mounted

## Series TEF 1058



### Dimensional Drawings (All Dimensions in mm) - Subject to Alterations



We reserve the right to make alterations to the technical data, dimensions, weights, designs and products available without notice. The illustrations cannot be considered binding.