



Installation Manual



Top Connect devices
SHARK device platform
ET-xx8 / MT-xx8



| | |
|------------------------------|------------|
| HW-Rev. ET-xx8: | 01.01.00 |
| HW-Rev. MT-xx8: | 01.01.00 |
| Installation manual version: | 01.00.00 |
| Issue date: | 23.02.2018 |

Publisher

Publisher and copyright holder:

R. STAHL HMI Systems GmbH
Adolf-Grimme-Allee 8
D 50829 Cologne

Registered place of business: Cologne
Court of registration: District court Cologne, HRB 30512
VAT number: DE 812 454 820

Phone: (switchboard) +49 (0) 221 76 806 - 1000
(hotline) - 5000
Fax: - 4100
E-mail: (switchboard) office@stahl-hmi.de
(hotline) support@stahl-hmi.de

- All rights reserved.
- This document may not be reproduced in whole or in part except with the written consent of the publisher.
- This document may be subject to change (dates, dimensions, weight, constructions, drawings, images).

Any warranty claims are limited to the right to demand amendments. Liability for any damage that might result from the contents of these instructions or all other documentation is limited to clear cases of premeditation.

We reserve the right to change our products and their specifications at any time, provided it is in the interest of technical progress. The information in the current manual (online or on CD / DVD / USB-stick) or in the operating instructions included in the delivery applies.

Trademark











The terms and names used in this document are registered trademarks and / or products of the companies in question.

Copyright © 2018 by R. STAHL HMI Systems GmbH. Subject to alterations

Table of contents

| | Description | Page |
|--------------|--|-----------|
| | Publisher | 2 |
| | Table of contents | 3 |
| 1 | Legend | 4 |
| 2 | Tools | 4 |
| 3 | General information | 5 |
| 4 | Connections | 5 |
| 4.1 | Standard cable glands | 5 |
| 4.1.1 | Mounting – Step by step | 6 |
| 4.2 | Connection kit version CAT / AC | 12 |
| 4.2.1 | Scope of delivery | 12 |
| 4.2.2 | Accessories | 12 |
| 4.2.3 | Views | 12 |
| 4.2.4 | Dimensions | 14 |
| 4.2.5 | Pin assignment | 14 |
| 4.2.6 | Mounting – Step by step | 15 |
| 4.3 | Connection kit version FO / AC | 24 |
| 4.3.1 | Scope of delivery | 24 |
| 4.3.2 | Accessories | 24 |
| 4.3.3 | Views | 25 |
| 4.3.4 | Dimensions | 27 |
| 4.3.5 | Pin assignment | 27 |
| 4.3.6 | Mounting – Step by step | 27 |
| 4.4 | Keyboard | 39 |
| 4.4.1 | Mounting – Step by step | 39 |
| 5 | Release notes | 41 |

1 Legend

| Symbol | Meaning |
|---|---|
|  | Component |
|  | Sub component |
|  | Process step |
|  | Process step, subordinate position |
|  | Order in which screws are tightened |
|  | Direction of movement or position |
|  | Process step, order, cut-out position (with or without arrow) |
|  | Cut-out, enlarged partial view |
|  | Turning movement, turning direction |
|  | Important note, must be complied with |

2 Tools





- 1x Side cutter
- 1x Cable stripper
- 1x Wrench size SW 24
- 1x Wrench size SW 27
- 1x Wrench size SW 30
- 1x Phillips screw driver size 1
- 1x Phillips screw driver size 2
- 1x Slotted screw driver 2.5 mm
- 1x Slotted screw driver 4.5 mm
- 1x Socket wrench SW 8
- 1x Hex-wrench 6 mm

NOTE

Tools are not included in the delivery and must be supplied by customer.


3 General information

| | |
|---|--|
|  NOTE | <p>If not otherwise specified, all information, descriptions and illustrations apply in the same way to devices x38 and x98 as well as the accessories, even if the illustrations only show one version.</p> |
|---|--|

| | |
|--|---|
|  DOCUMENTATION | <p>The description / assembly of the earth connection for the Top Connect devices are contained in document "IM_ET_MT-xx8".</p> |
| | <p>The description of the keyboard wiring of the Top Connect devices is contained in document "IM_ET_MT-xx8".</p> |

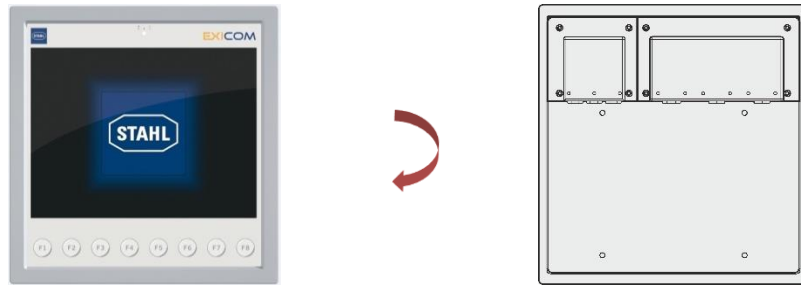
4 Connections

4.1 Standard cable glands

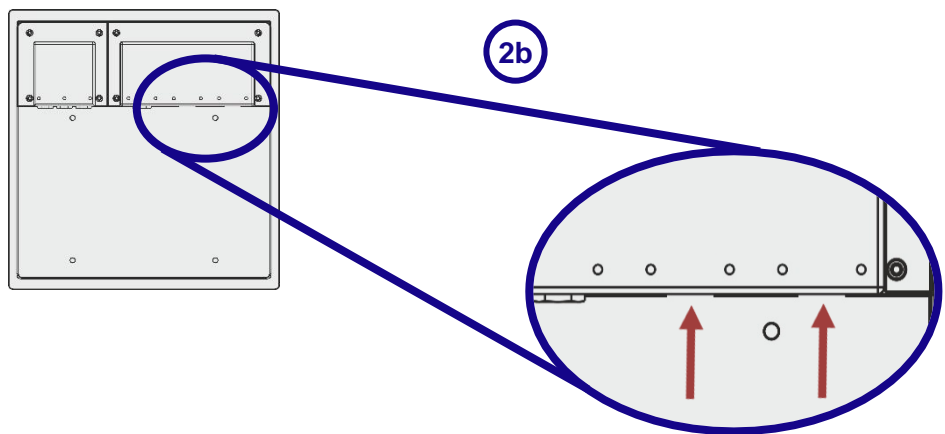
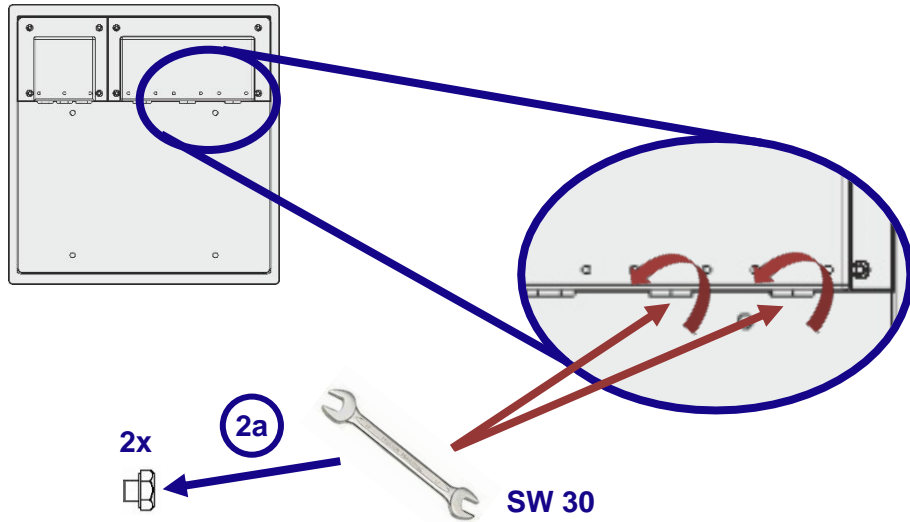
| | |
|---|--|
|  NOTE | <p>In their factory state, the VESA 200 Top Connect devices come with screw plugs.</p> |
| | <p>It is allowed to use any other Ex certified cable gland, which fulfill the technical requirements.</p> |
| | <p>The mounting description for the Top Connect devices with standard glands is based on the Hummer HSK-MZ-Ex gland types.</p> |

4.1.1 Mounting – Step by step

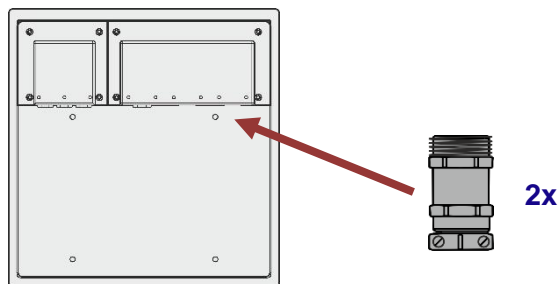
1



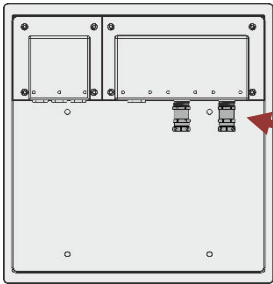
2



3

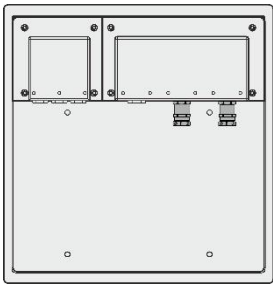


3a

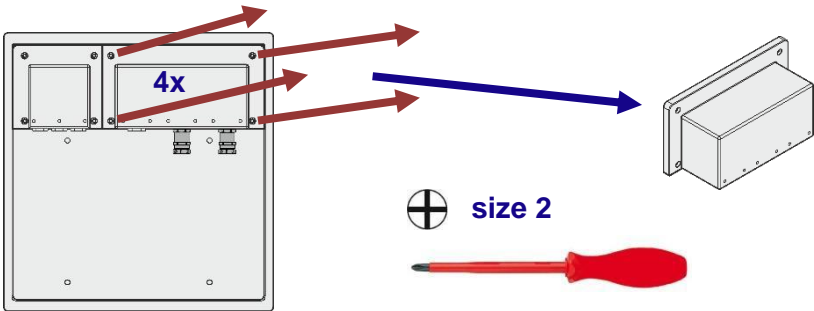


screw in 2x

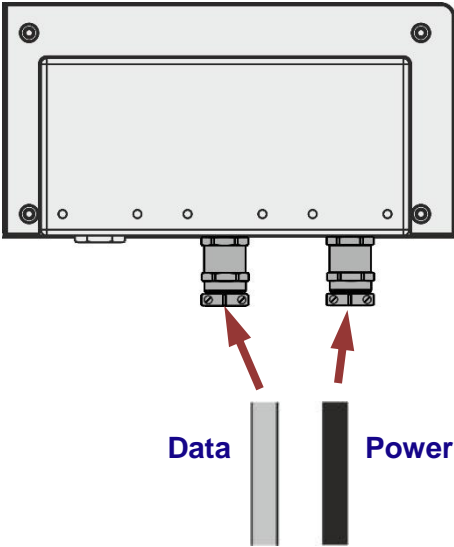
3b



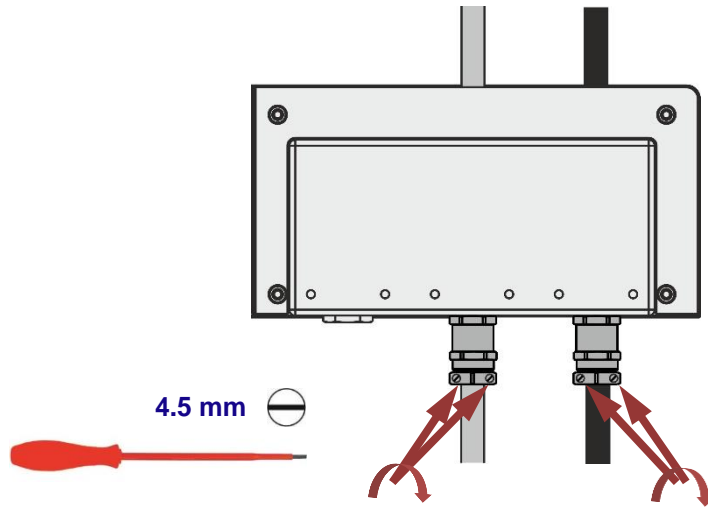
4



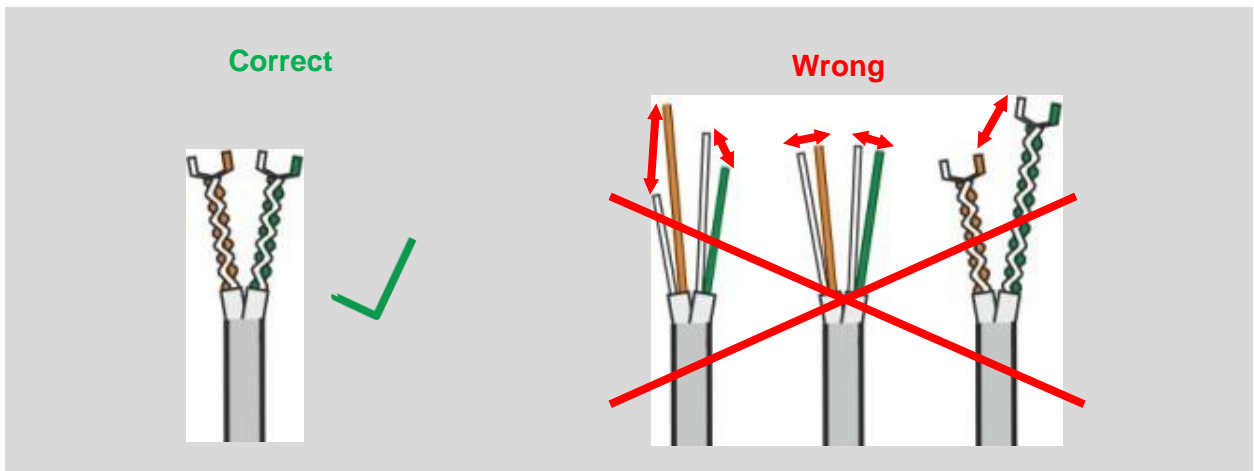
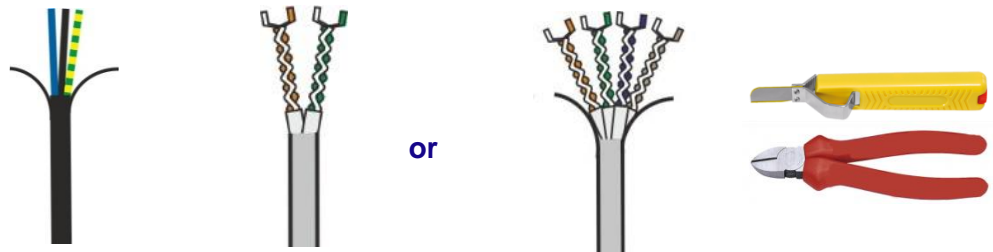
5



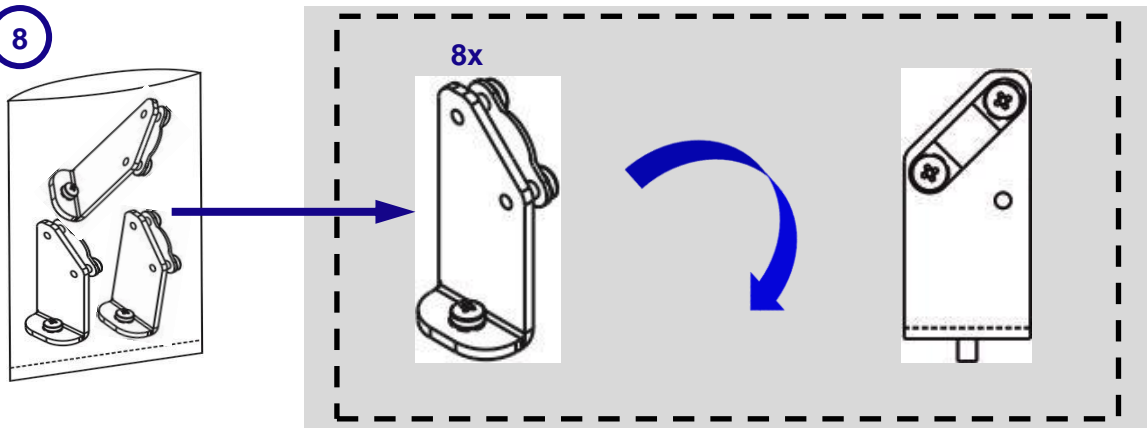
6

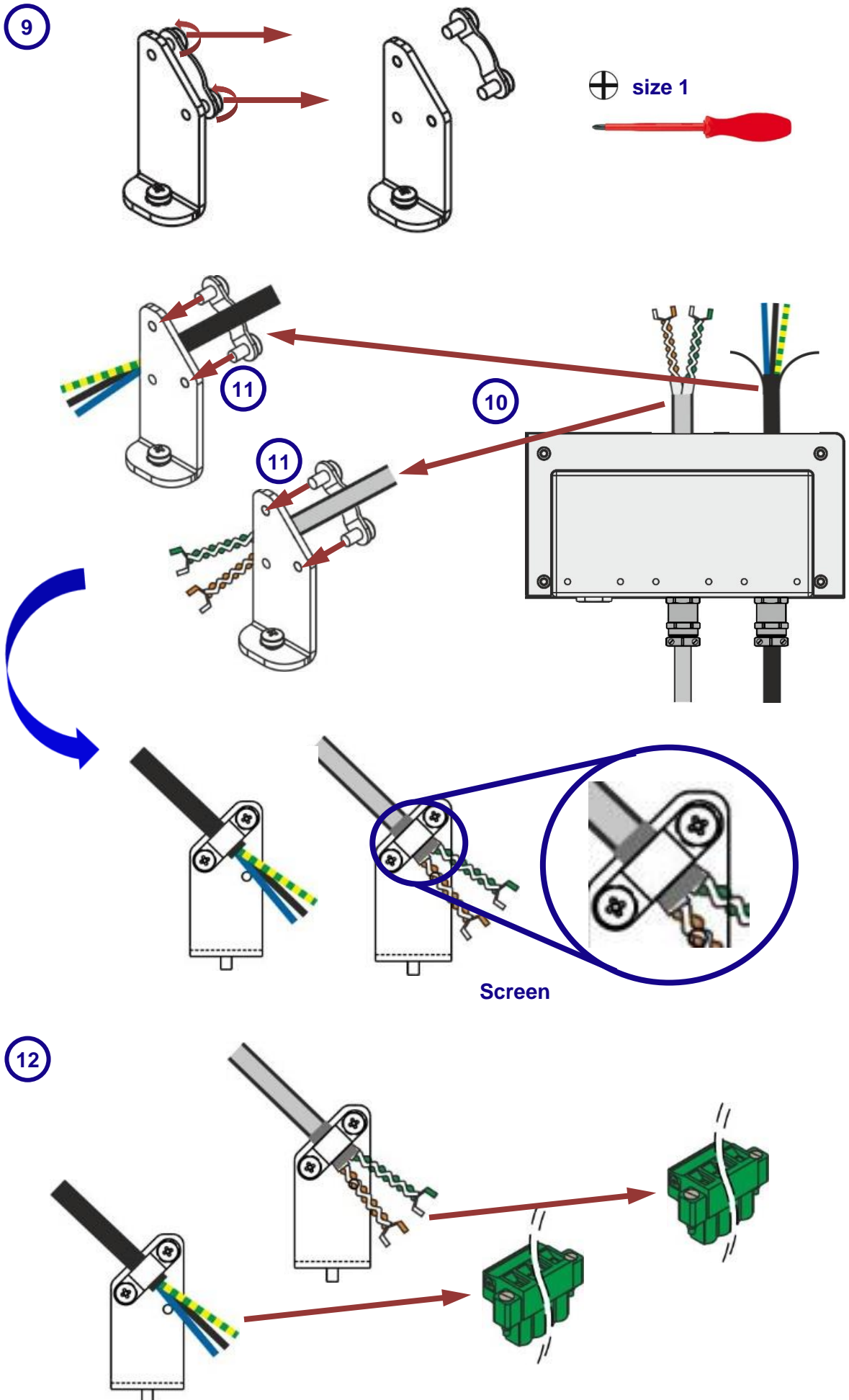


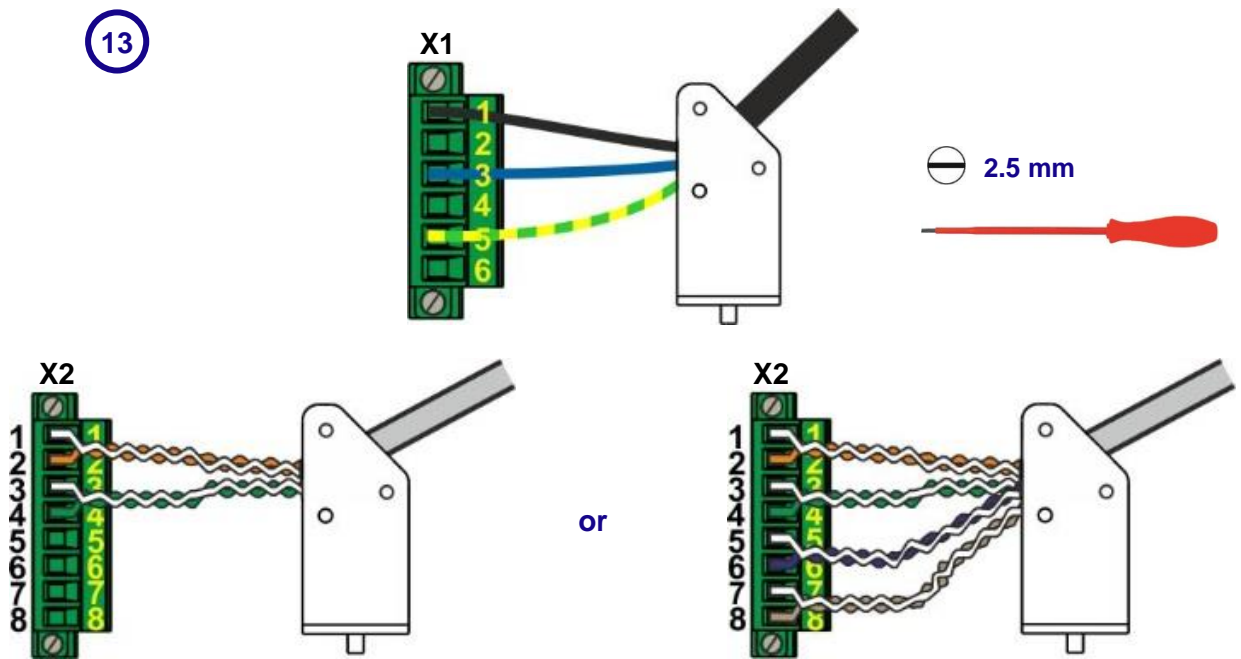
7



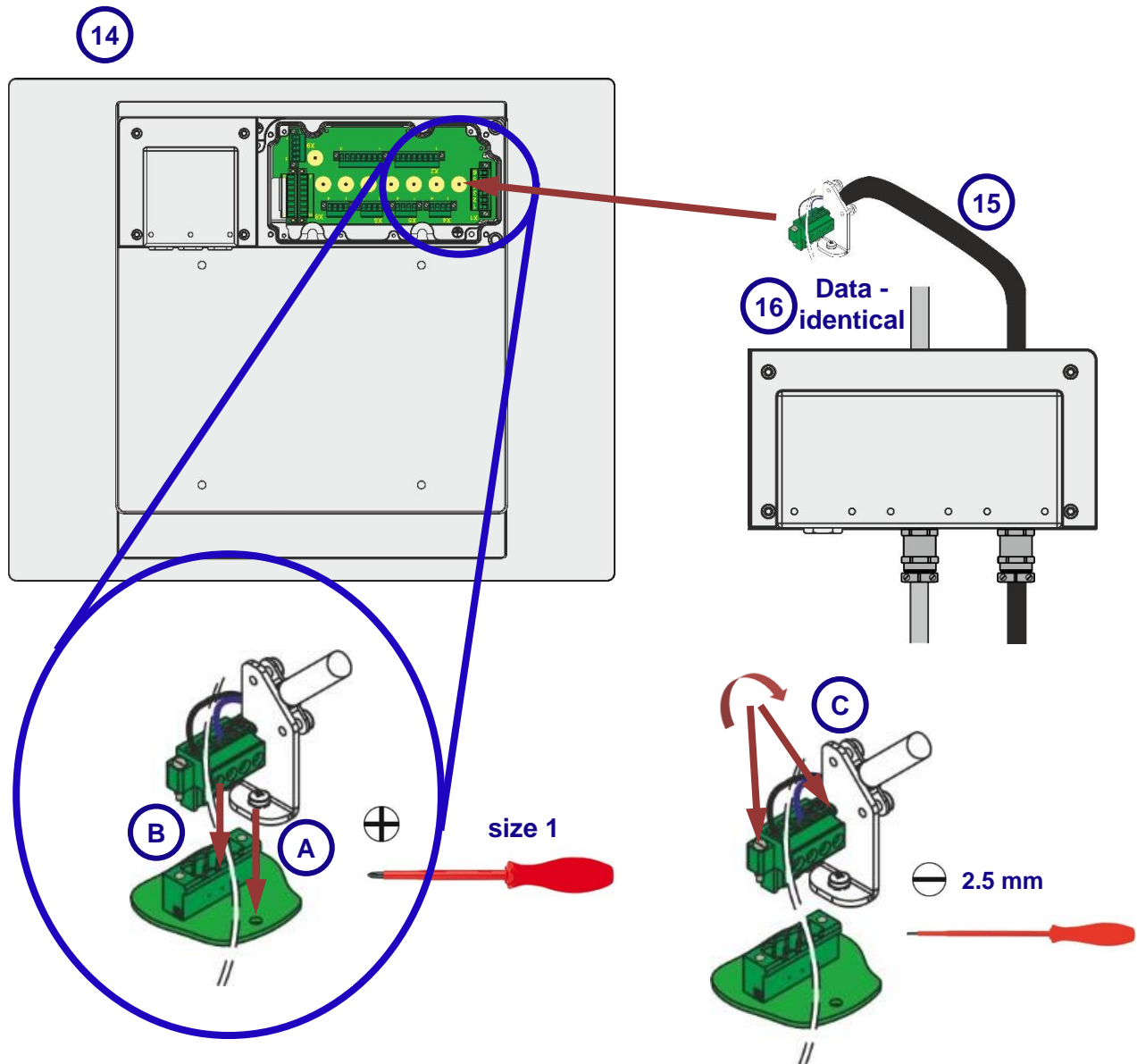
8



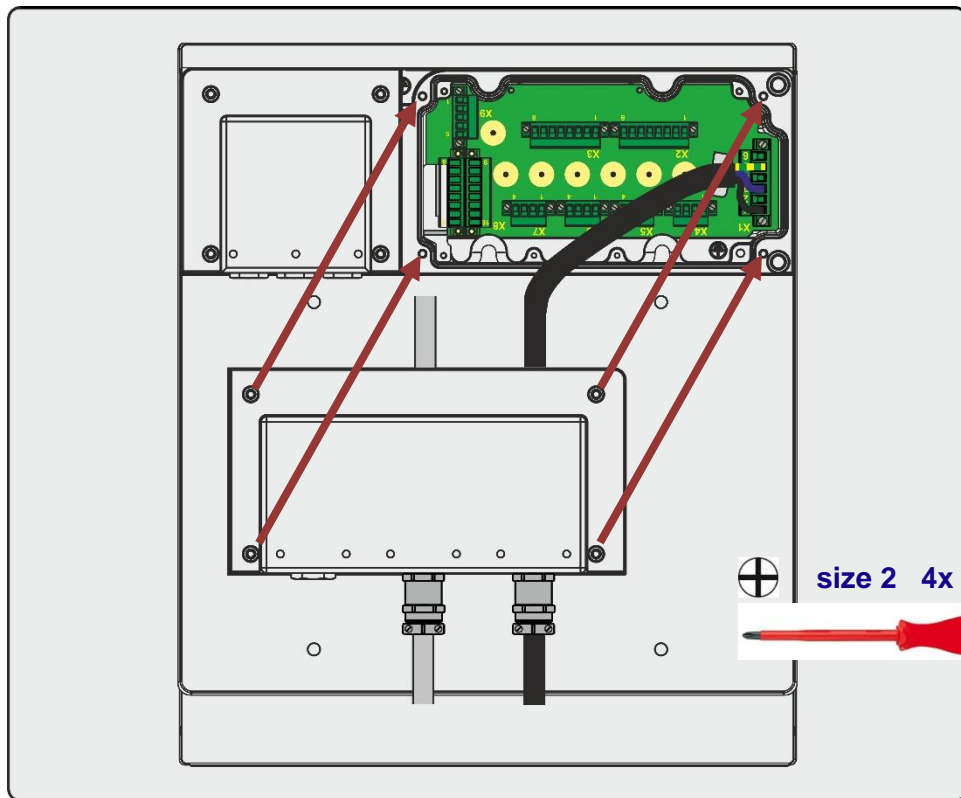




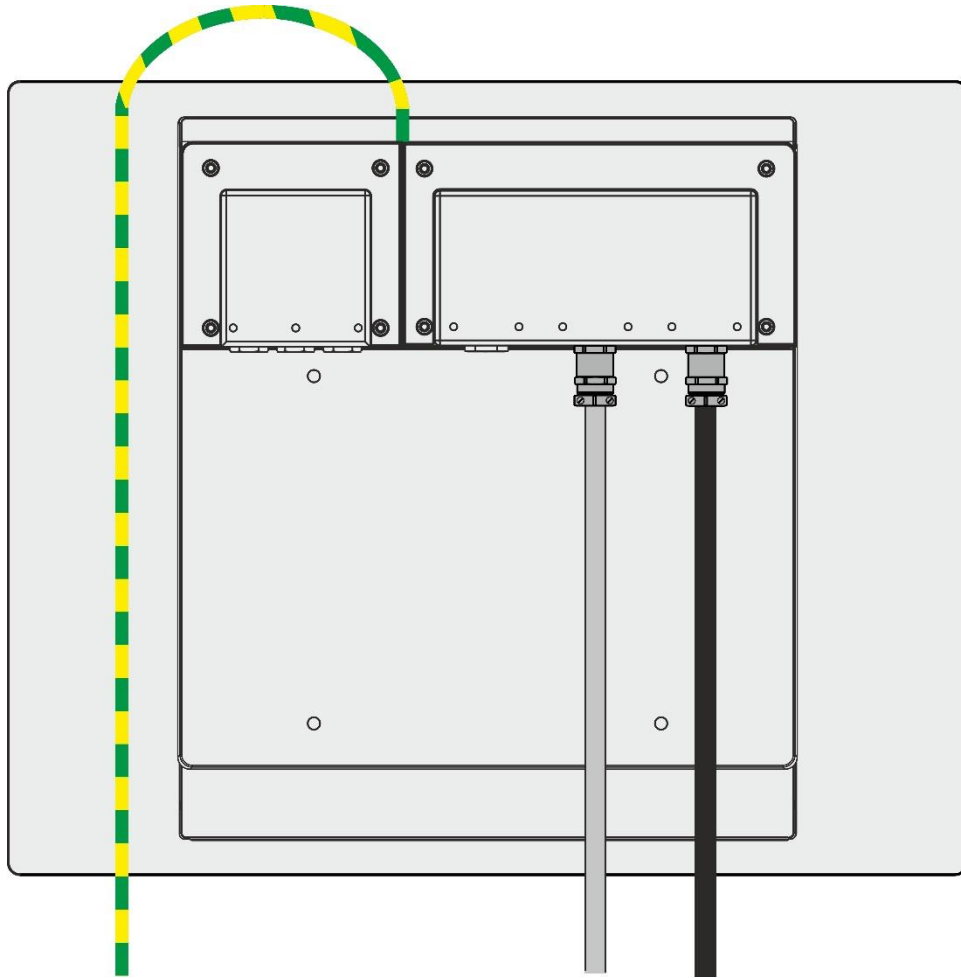
Twist associated pairs up to the terminal !



17



18



 **DOCUMENTATION**

The description / assembly of the earth connection for the Top Connect devices are contained in document "IM_ET_MT-xx8".

4.2 Connection kit version CAT / AC

4.2.1 Scope of delivery

| Version | Description |
|-----------------------------|---|
| CON-xx8-CAT-ROTA-AC-ROTA-00 | Connection kit for the CAT version with AC power supply |

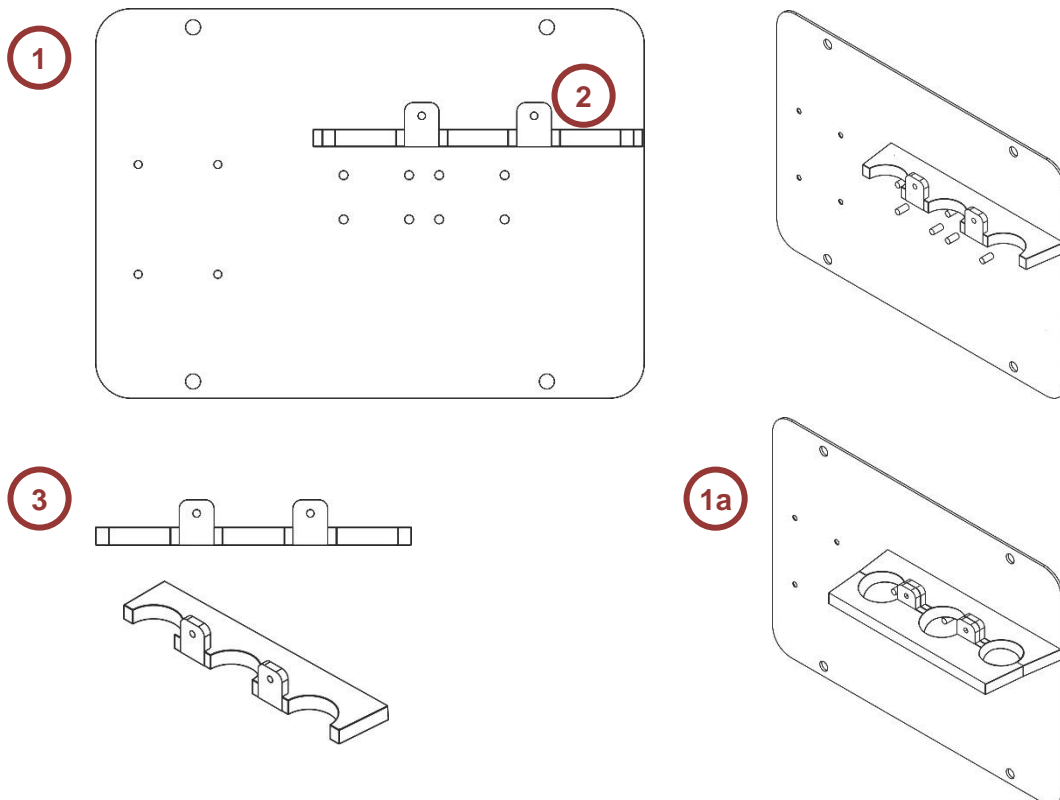
consisting of:

| No. | Quantity | Designation |
|-----|----------|---|
| 1 | 1 | VESA 200 mounting plate with mounting for ROTA and Focon bracket |
| 1a | - | Mounting bracket screwed onto top of mounting plate (factory state) |
| 2 | 1 | Mounting bracket at bottom for ROTA connectors (welded onto mounting plate) |
| 3 | 1 | Mounting bracket at top (counterpart) |
| 4 | 2 | Countersunk screw mounting bracket M6 x 40 |
| 5 | 1 | ROTA connector with cover and 0.5 m CAT cable (DR4 BM 0534 F05) |
| 6 | 1 | ROTA connector with cover and 0.5 m AC cable (DR4 BM 316) |
| 7 | 4 | Socket head screw mounting plate M8 x 14 |

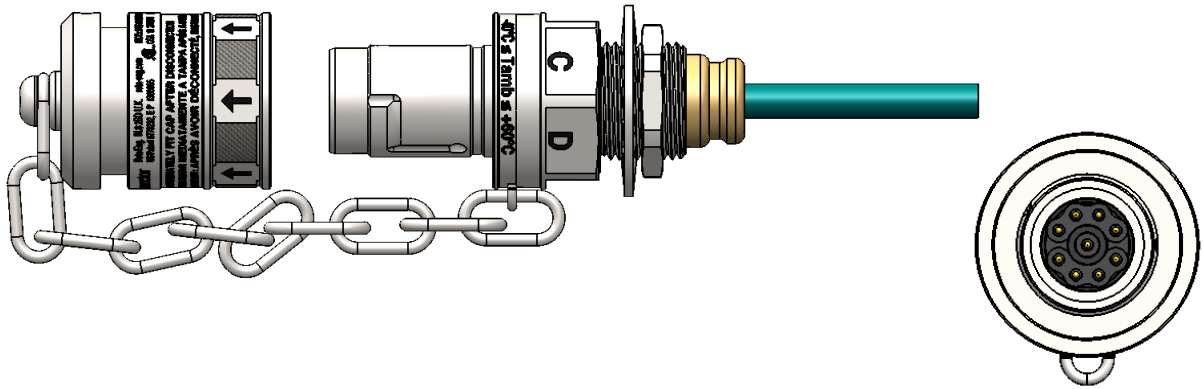
4.2.2 Accessories

| Version | No. | Description |
|-----------------------|-----|--|
| VB-ROTA-PLUG-CAT-* | 8 | Connection cable (fixed length) with ROTA connector, cover and cable gland for armoured CAT cables (DR4 IF 0536) (cable length must be specified !) |
| VB-ROTA-PLUG-AC-PWR-* | 9 | Connection cable (fixed length) with ROTA connector and cover for AC power supply (DR4 IF 0584), (cable length must be specified !) |

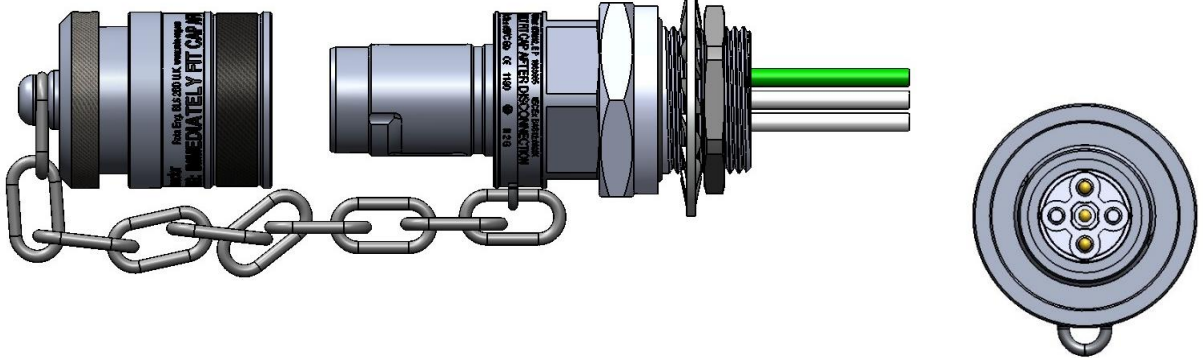
4.2.3 Views



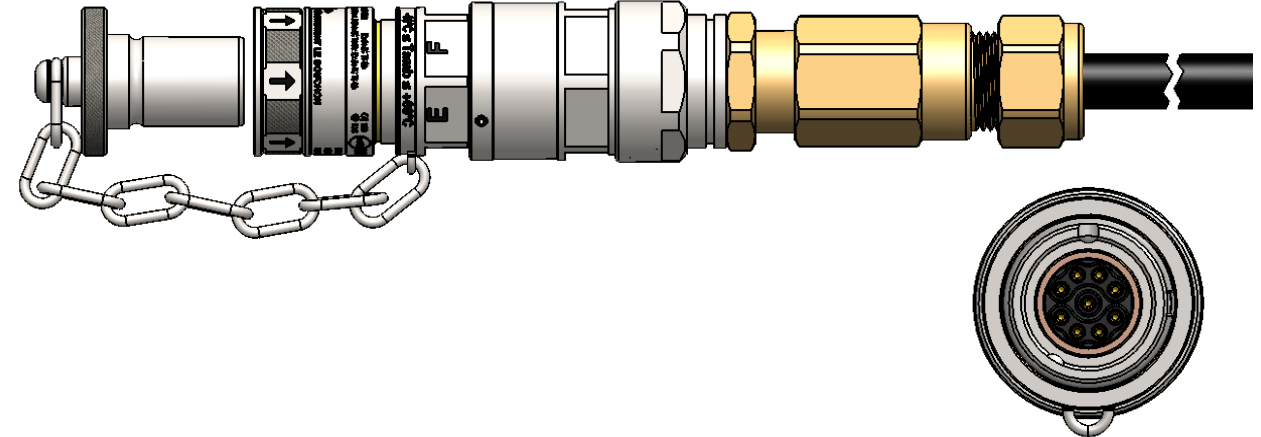
5



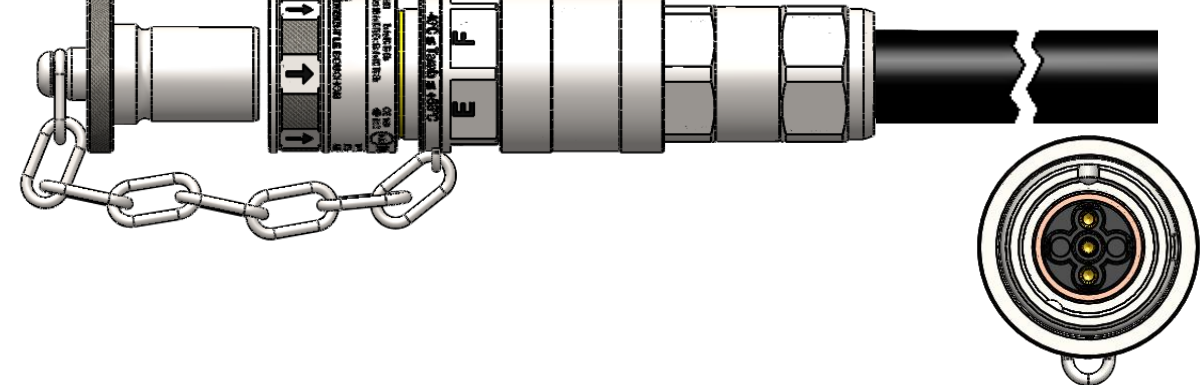
6



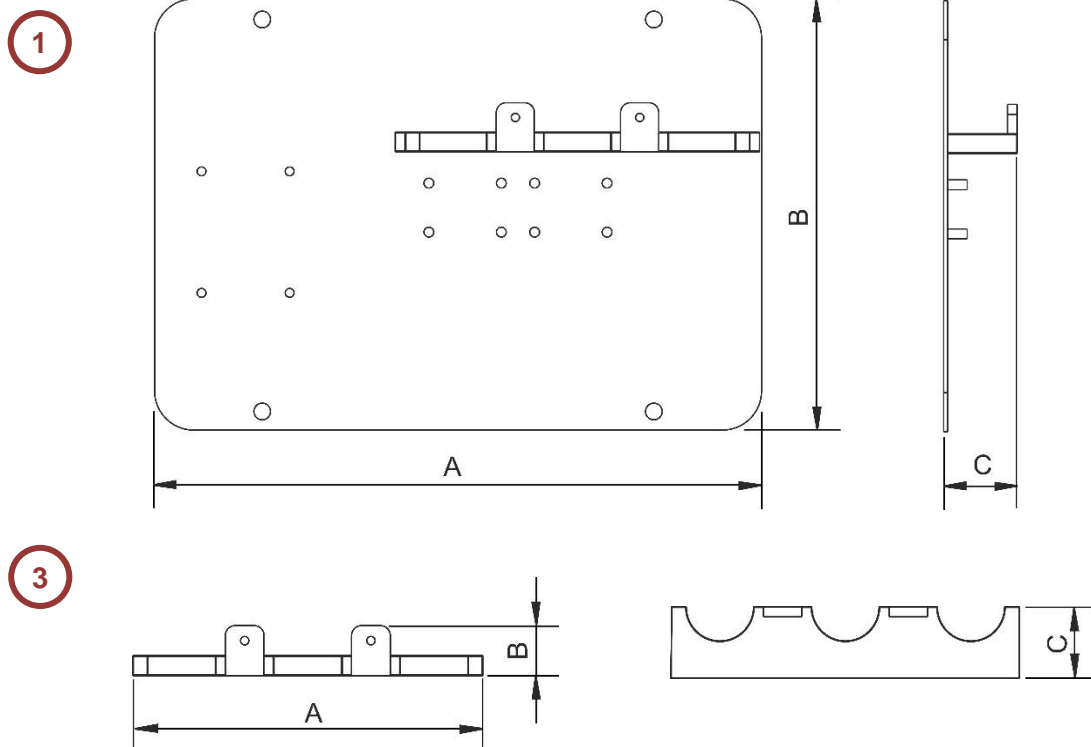
8



9



4.2.4 Dimensions



| No. | Designation | Dimensions [mm] | | |
|-----|---------------------------------------|-----------------|-----|----|
| | | A | B | C |
| 1 | Mounting plate | 310 | 220 | 28 |
| 3 | Mounting bracket at top (counterpart) | 169 | 26 | 26 |

4.2.5 Pin assignment

| No. | Plug type | View | Pin | Colour | Pin xx8 X2 / X3 | Designation at the xx8 |
|-----|-----------------|------|-----|----------------|-----------------|------------------------|
| 5 | DR4 BM 0534 F05 | | 1 | White / Blue | 5 | D3+ |
| | | | 2 | Blue | 6 | D3- |
| | | | 3 | Orange / White | 1 | D1+ |
| | | | 4 | Orange | 2 | D1- |
| | | | 5 | Green / White | 3 | D2+ |
| | | | 6 | Green | 4 | D2- |
| | | | 7 | White / Brown | 7 | D4+ |
| | | | 8 | Brown | 8 | D4- |
| | | | 9 | Joint screen | - | |
| | | | | | Pin xx8 X1 | Designation at the xx8 |
| 6 | DR4 BM 316 | | 1 | Green | 6 | PE / earth |
| | | | 2 | Blue | 4 | GND / N |
| | | | 3 | Black | 2 | +24V / L |

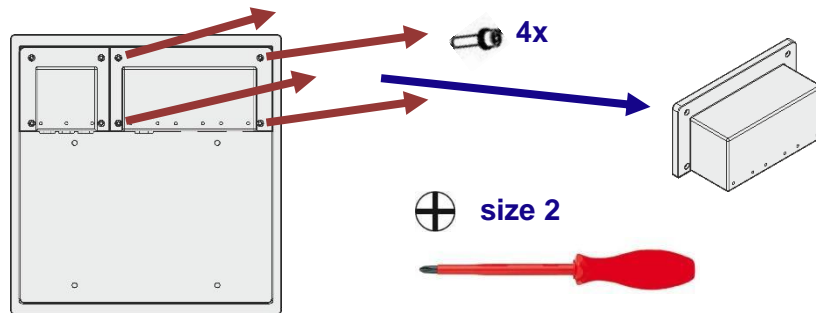
4.2.6 Mounting – Step by step

1

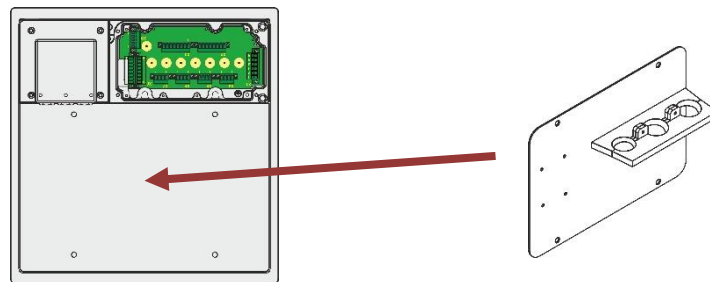


Carry out steps 1 and 2 from section 4.1.2.

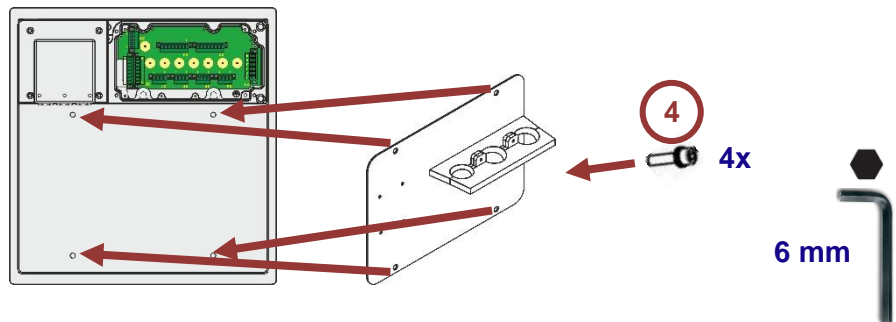
2



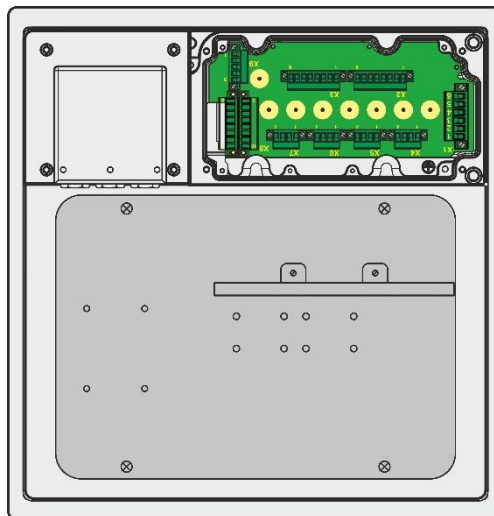
3



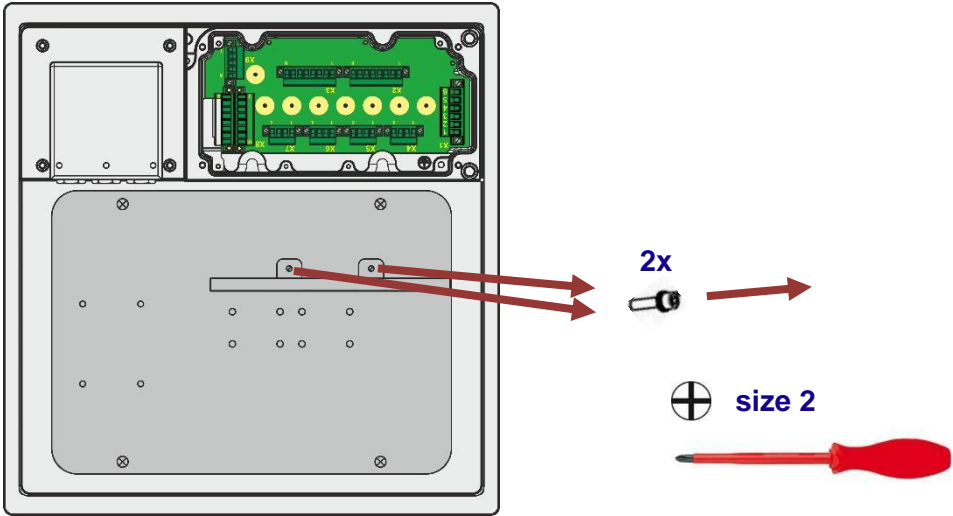
3a



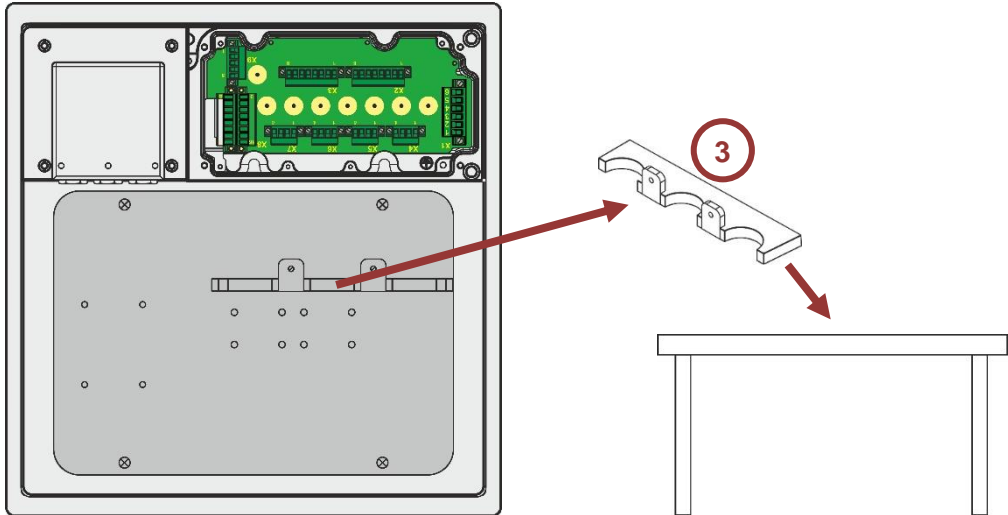
3b

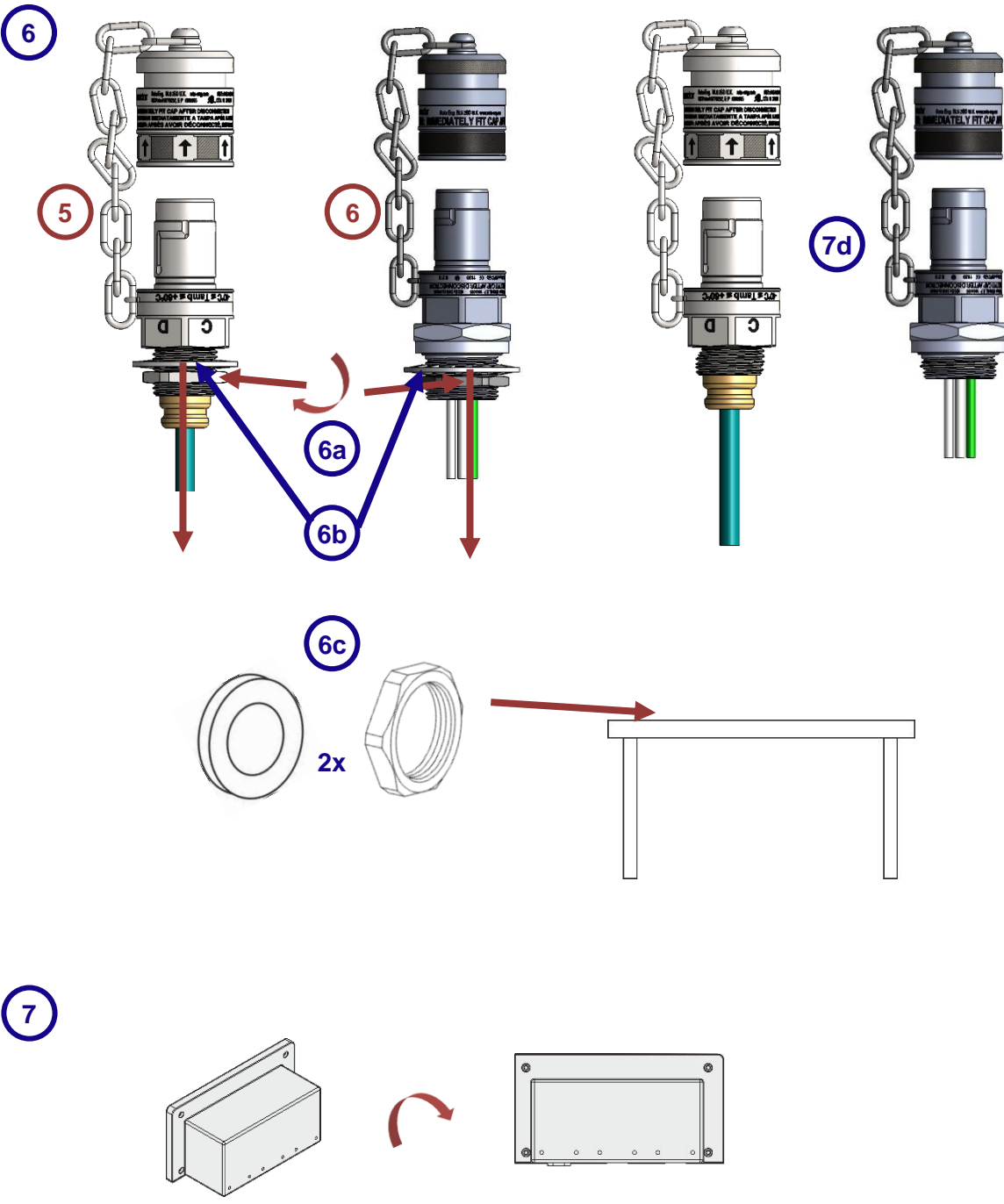


4

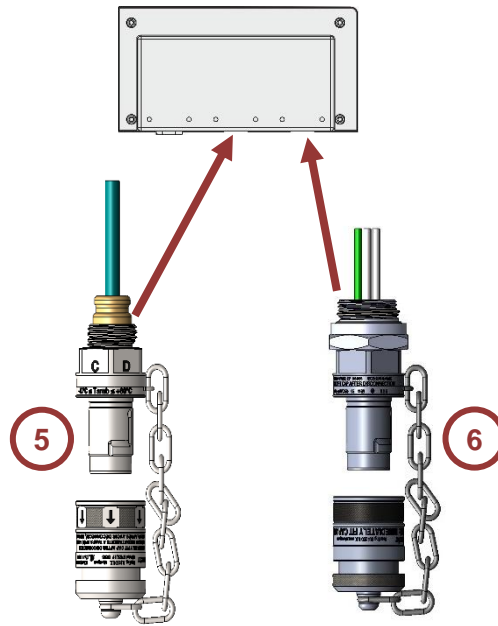


5

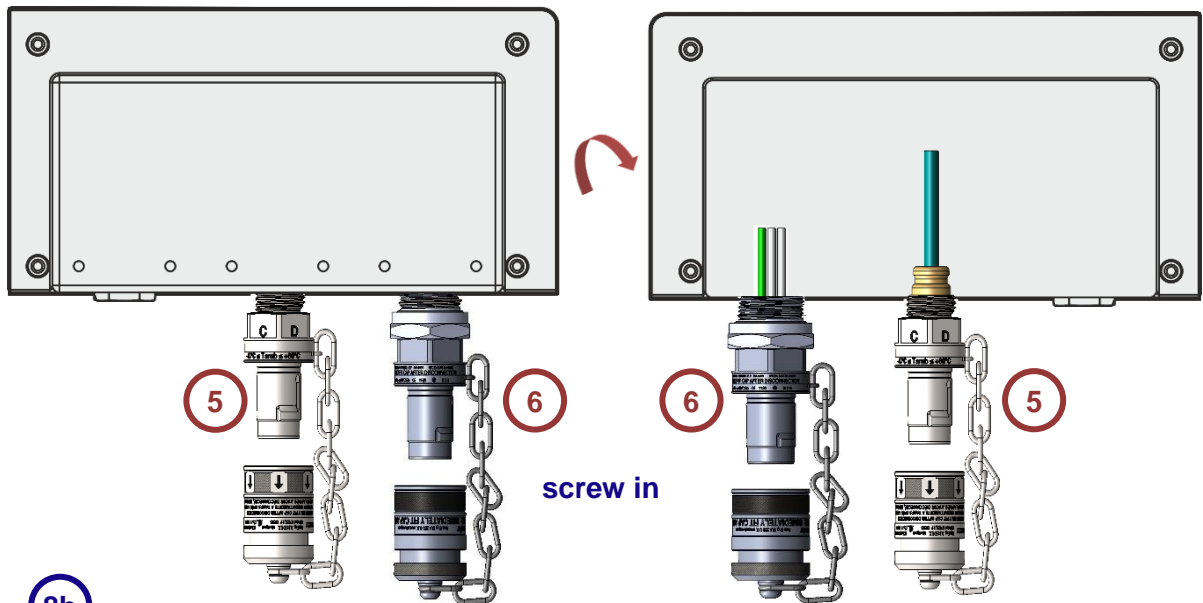




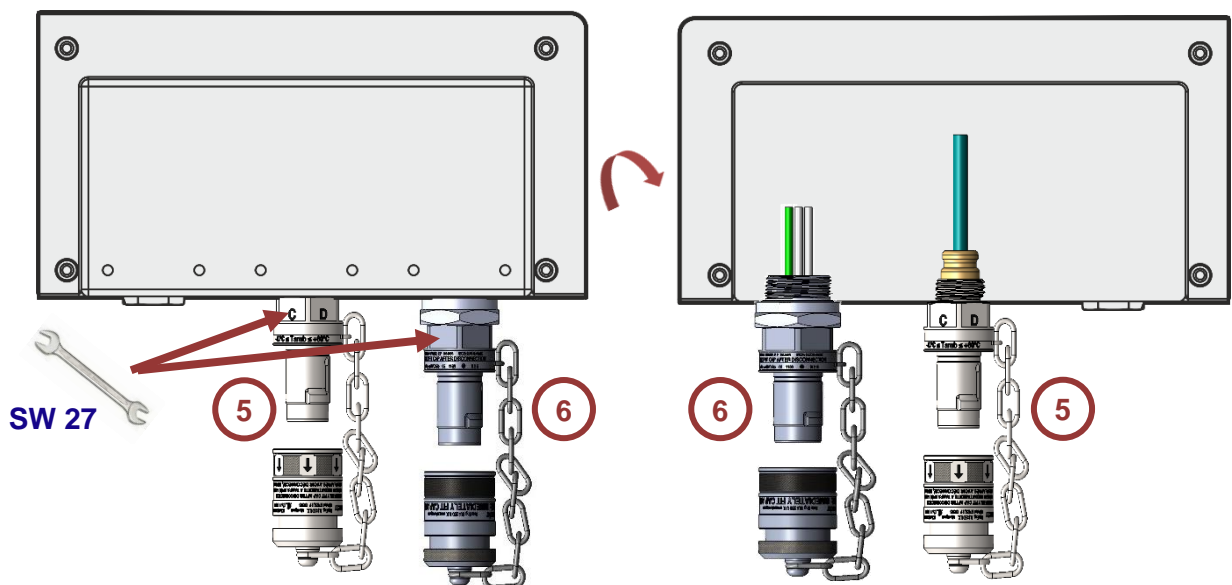
8



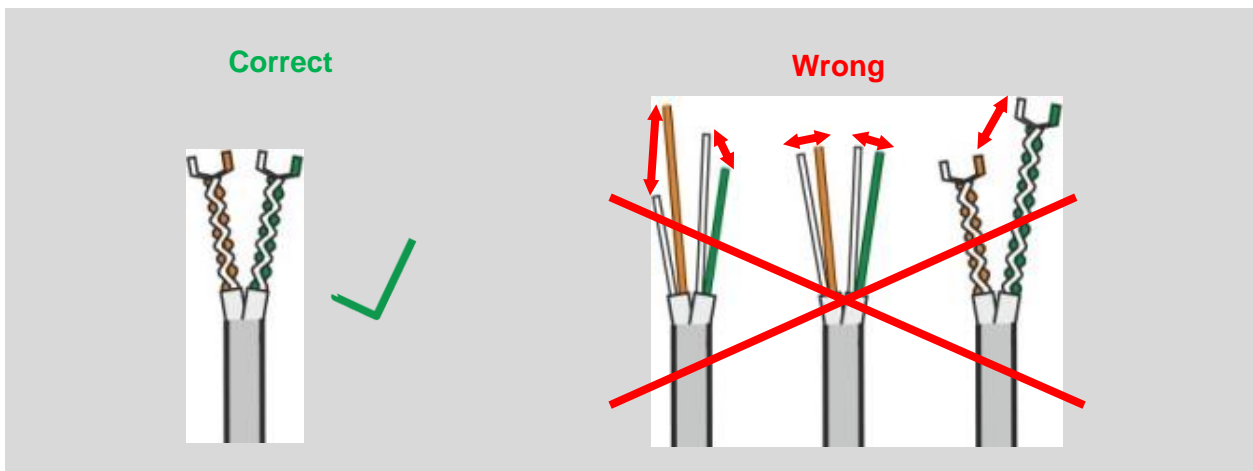
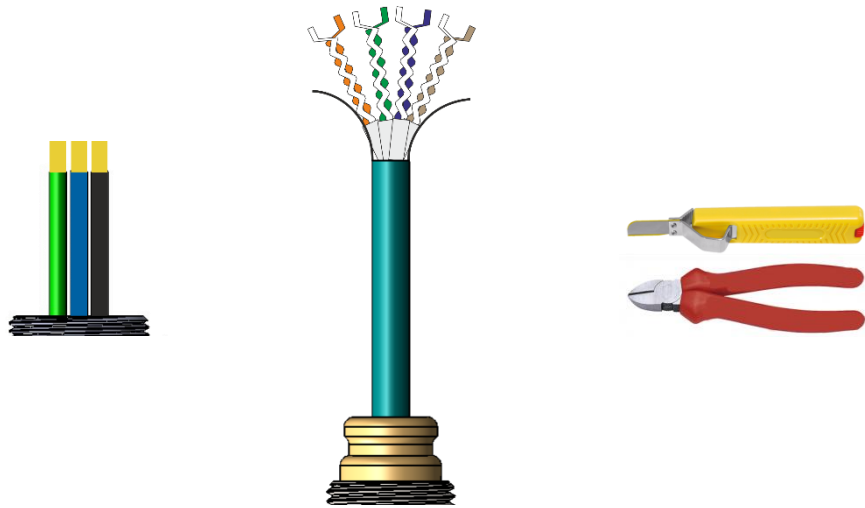
8a



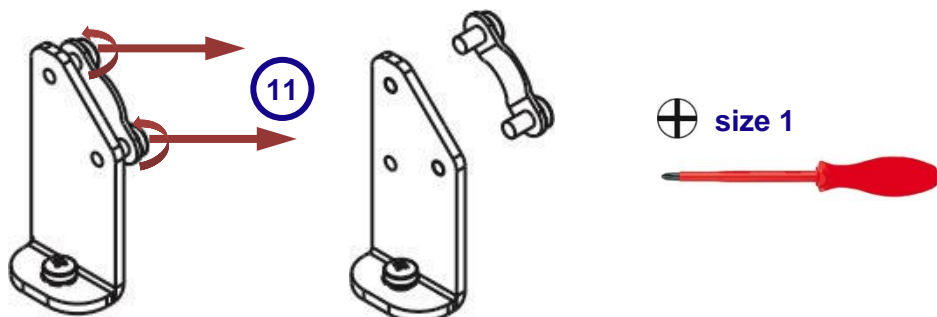
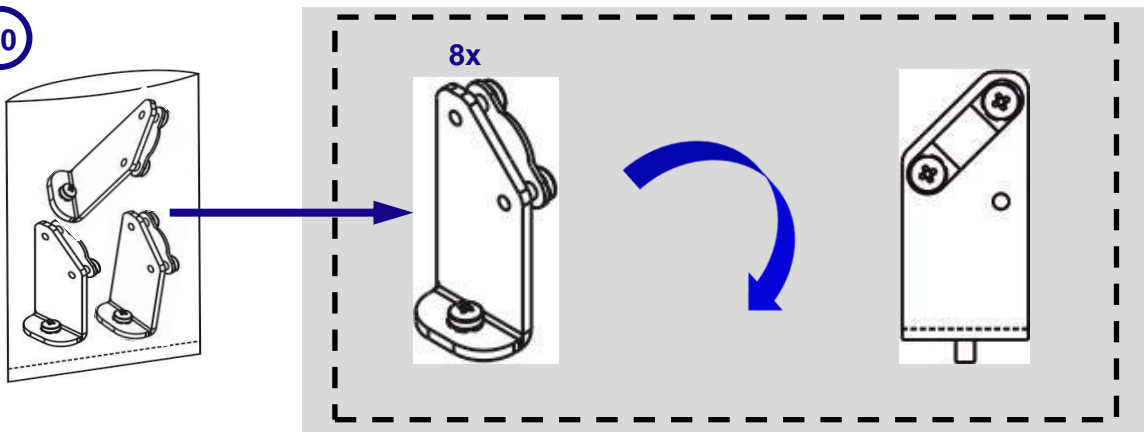
8b

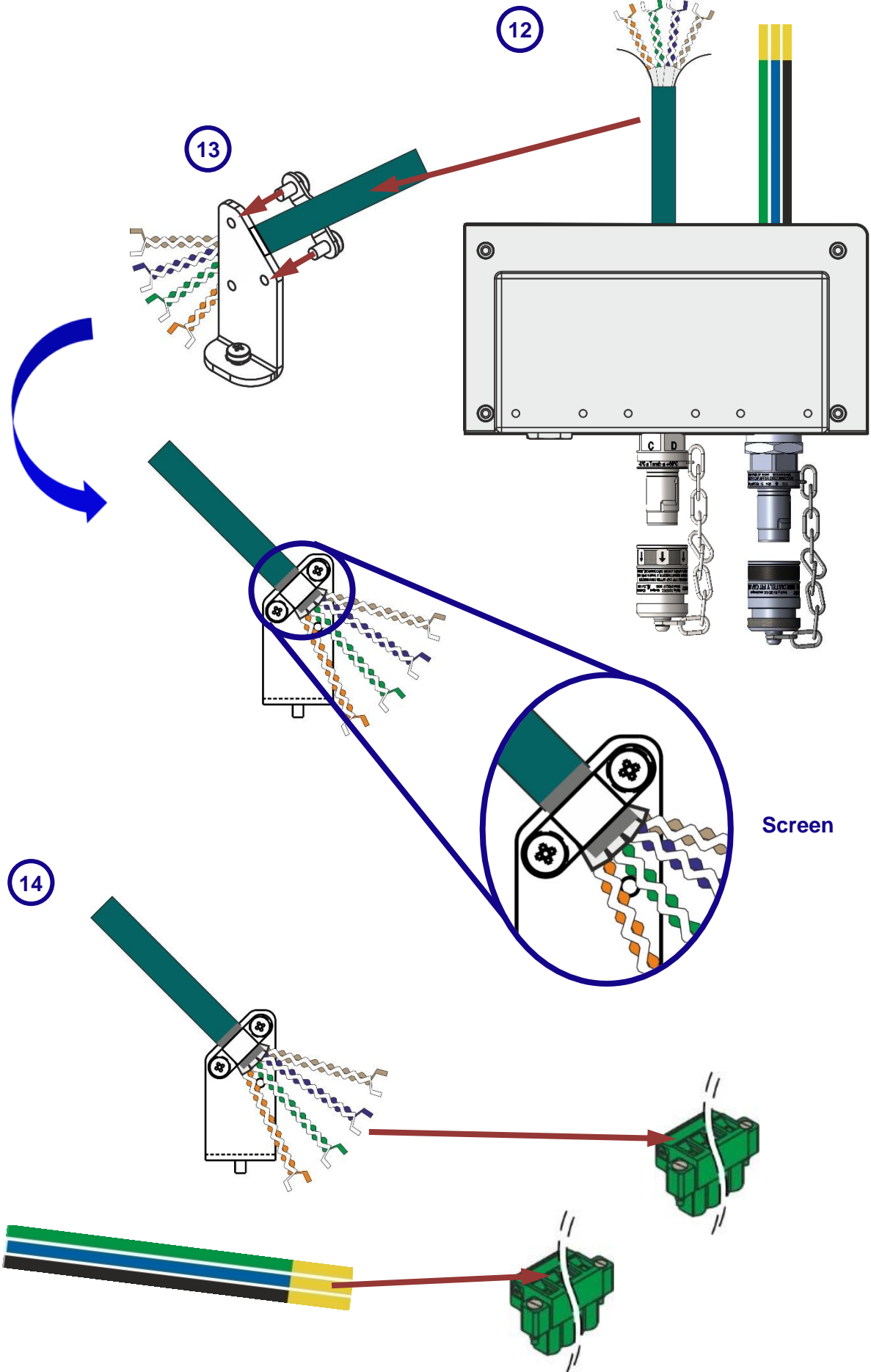


9

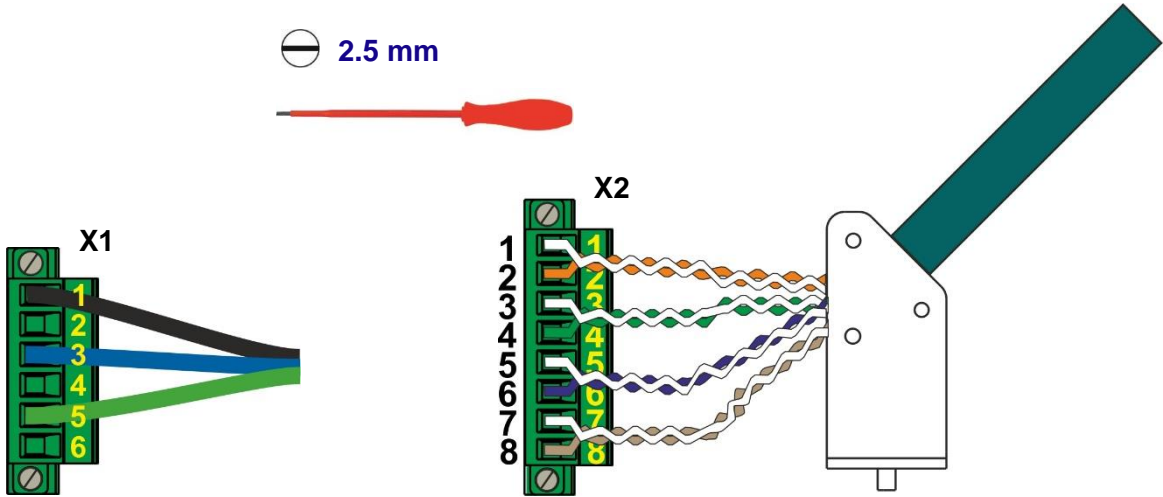


10



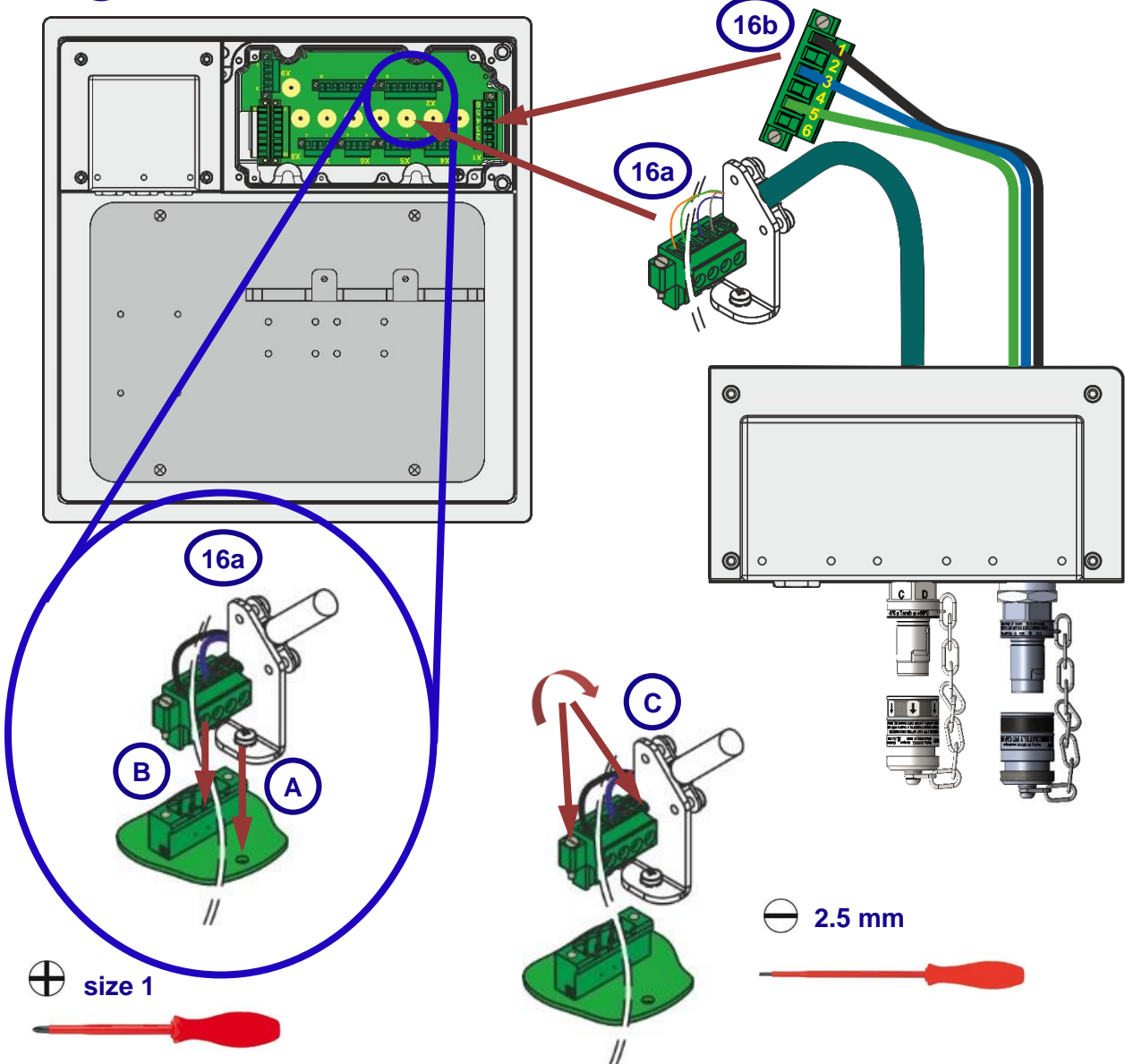


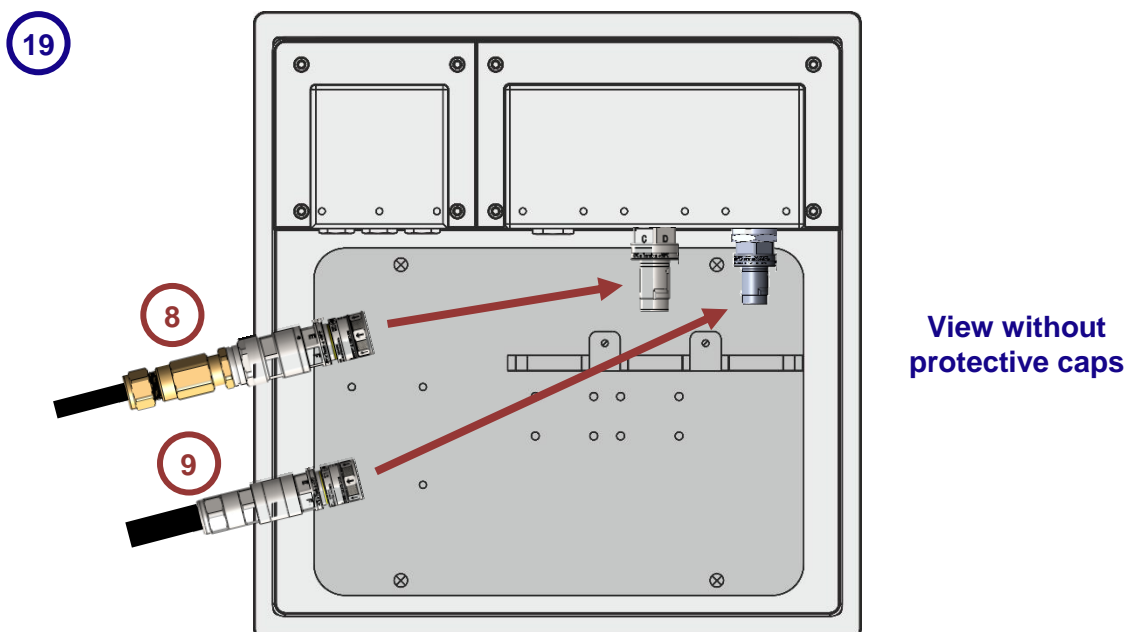
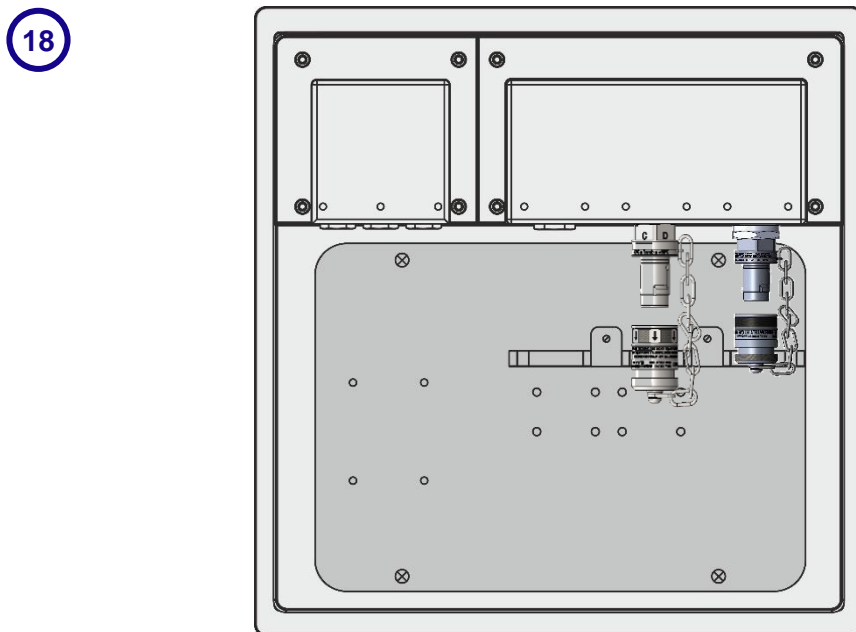
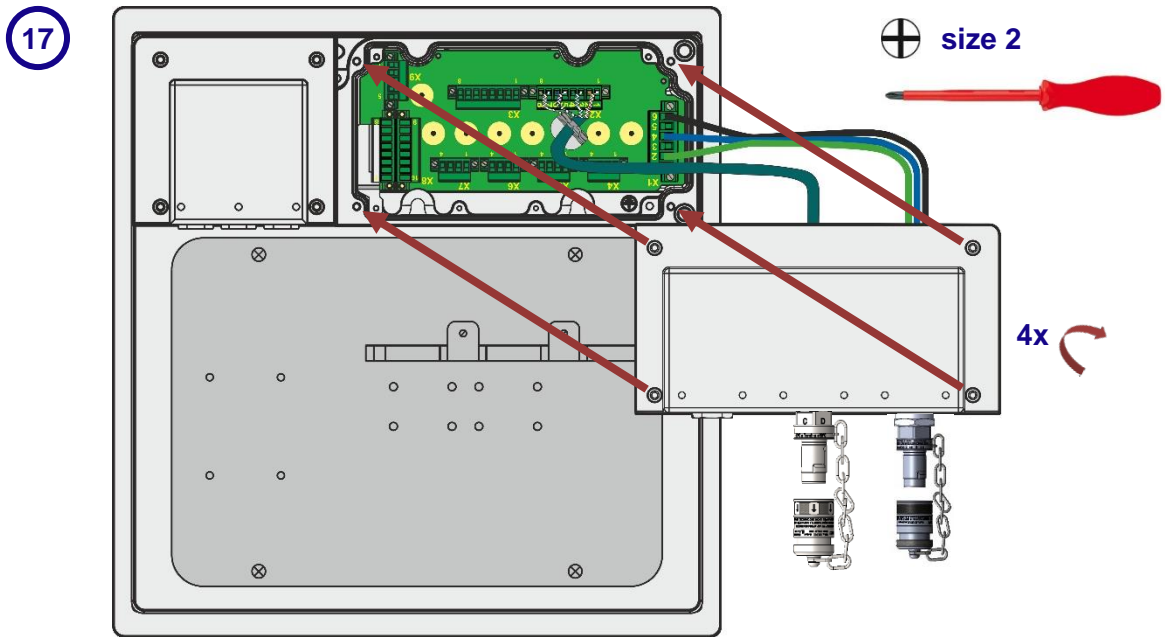
15



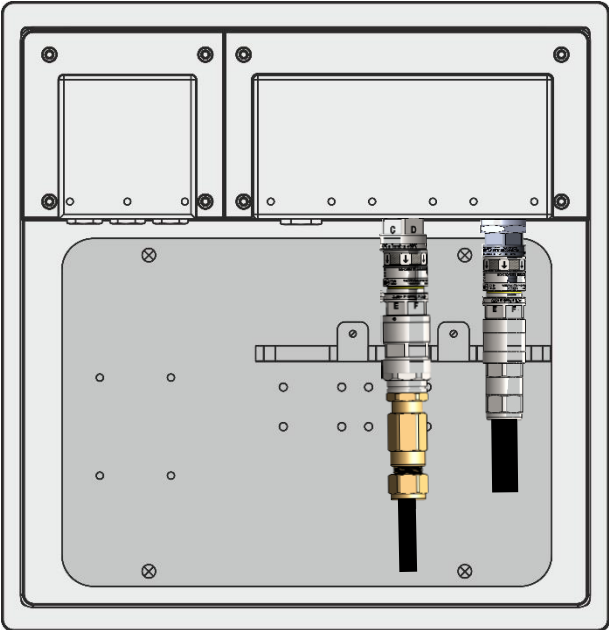
Twist associated pairs up to the terminal !

16

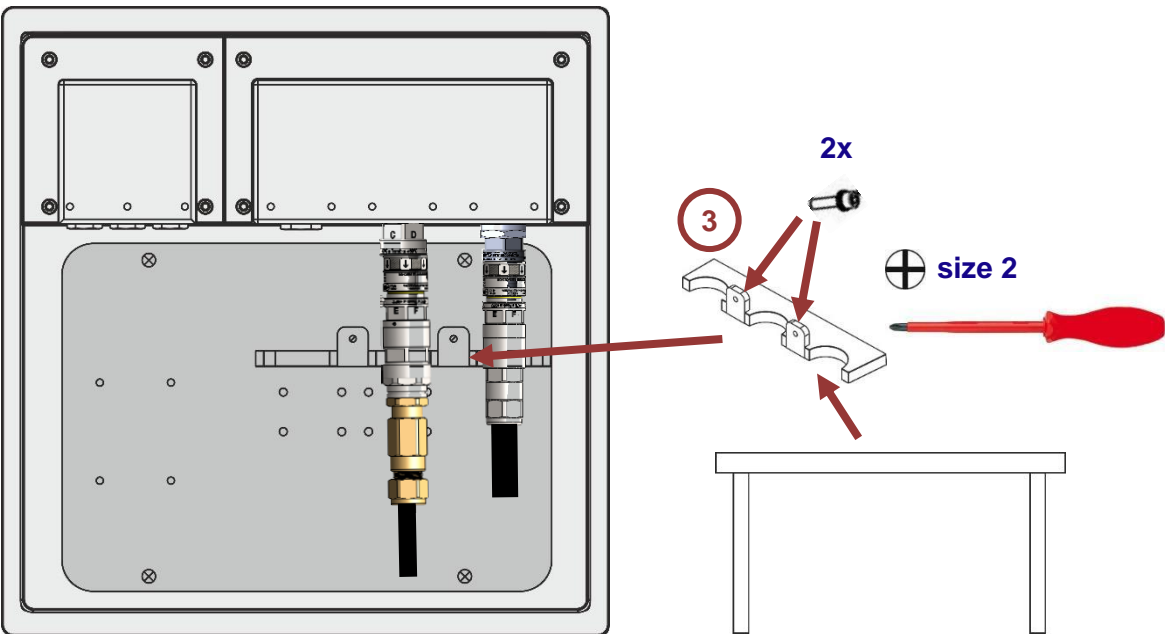




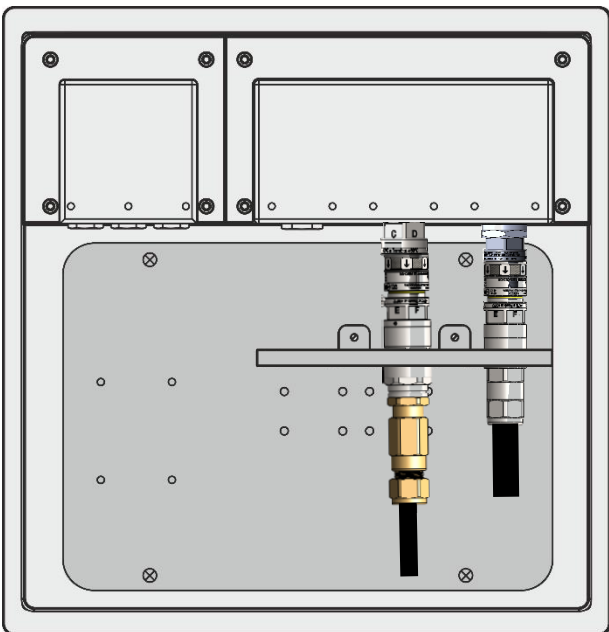
20



21



22



4.3 Connection kit version FO / AC

4.3.1 Scope of delivery

| Version | Description |
|---------------------------|--|
| CON-xx8-FO-HMA-AC-ROTA-00 | Connection kit for the FO version with AC power supply |

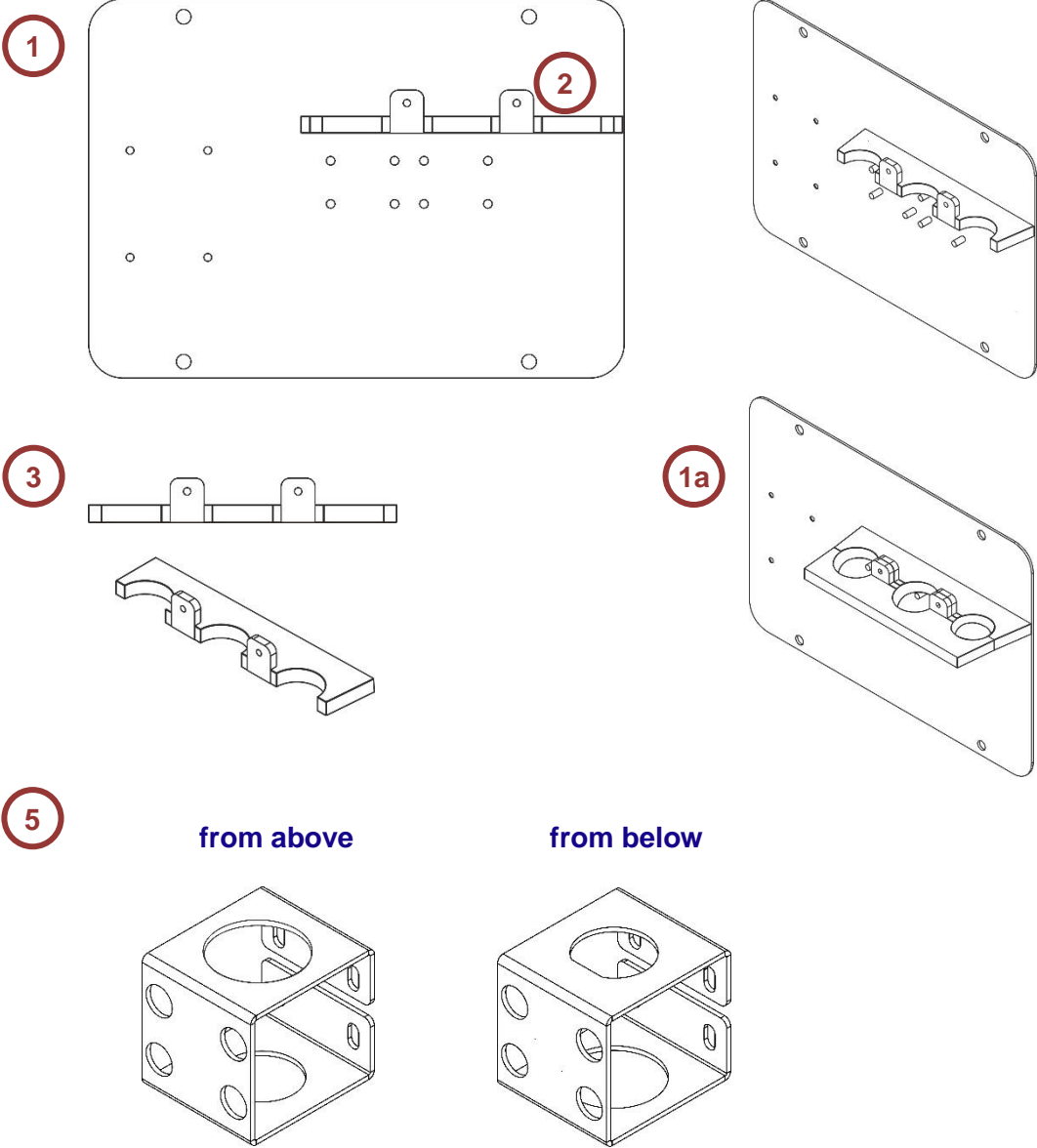
consisting of:

| No. | Quantity | Designation |
|-----|----------|--|
| 1 | 1 | VESA 200 mounting plate with mounting for ROTA and Focon bracket |
| 1a | - | Mounting bracket screwed onto top of mounting plate (factory state) |
| 2 | 1 | Mounting bracket welded onto bottom of mounting plate for ROTA connectors |
| 3 | 1 | Mounting bracket at top (counterpart) |
| 4 | 2 | Countersunk screw mounting bracket M6 x 40 |
| 5 | 1 | Mounting plate for Focon HMA coupling |
| 6 | 1 | Focon HMA socket (jam nut bulkhead) with 1.0 m military patch cable MilTac and SC plug, 2-channel, 62.5 / 125 µm |
| 7 | 1 | ROTA connector with cover and 0.5 m AC cable (DR4 BM 316) |
| 8 | 1 | HSK-MZ-Ex M20 x 1.5 cable gland |
| 9 | 4 | Socket head screw mounting plate M8 x 14 |
| 10 | 4 | Nut M5 with washer four Focon mounting plate |

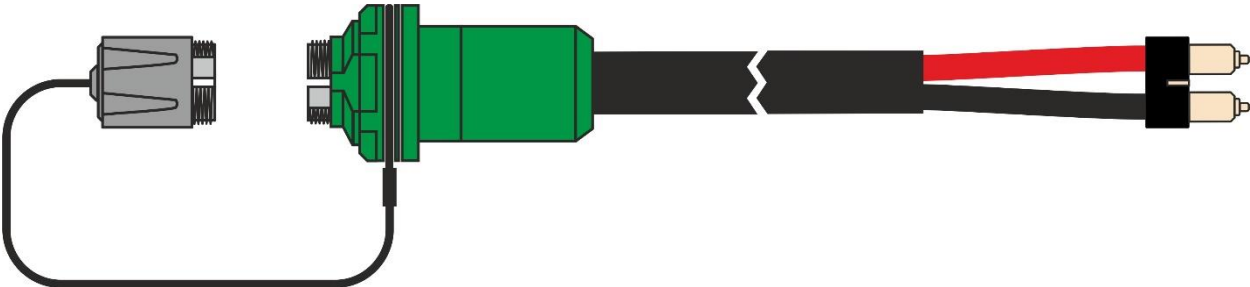
4.3.2 Accessories

| Version | No. | Description |
|-----------------------|-----|---|
| VB-FO-MIL-HMA-Plug-* | 11 | FO MilTac filed cable (fixed length) with HMA connector and cover, 2-channel, 62.5 / 125 µm (cable length must be specified !) |
| VB-ROTA-PLUG-AC-PWR-* | 12 | Connection cable (fixed length) with ROTA connector and cover for AC power supply (DR4 IF 0584), (cable length must be specified !) |

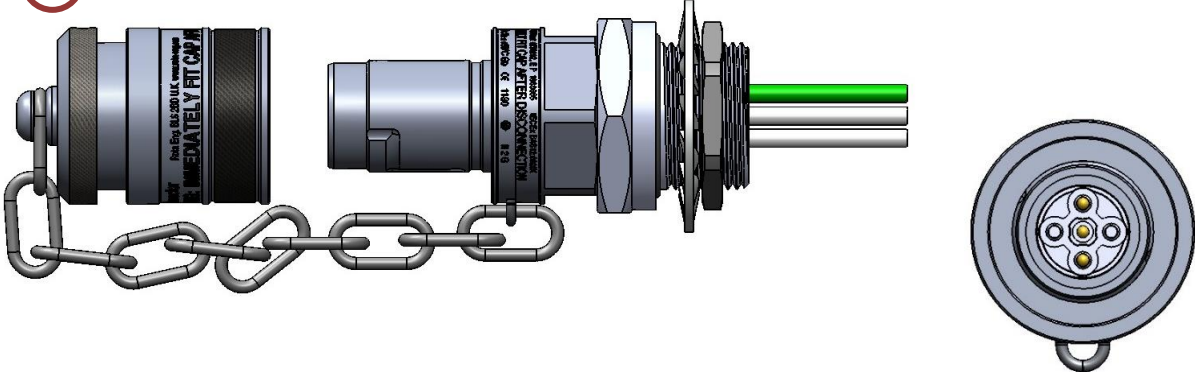
4.3.3 Views



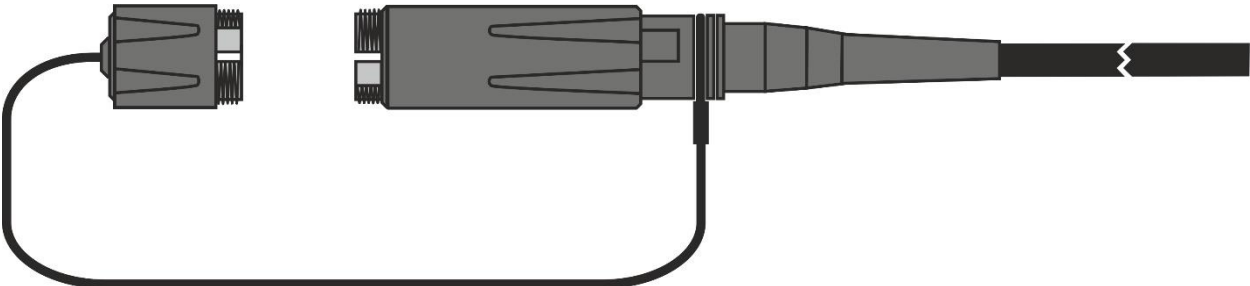
6



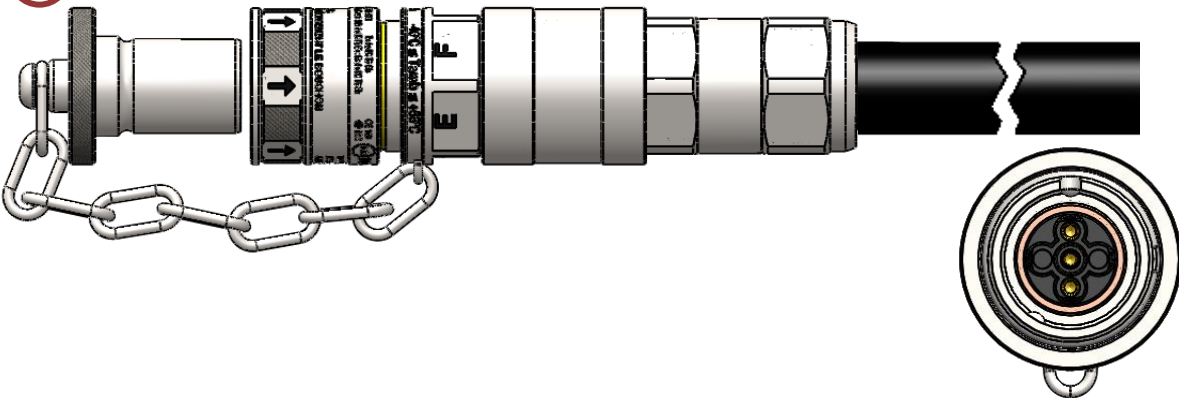
7




11



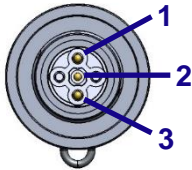
12



4.3.4 Dimensions

| | |
|---|-------------------|
|  DOCUMENTATION | See section 4.2.4 |
|---|-------------------|

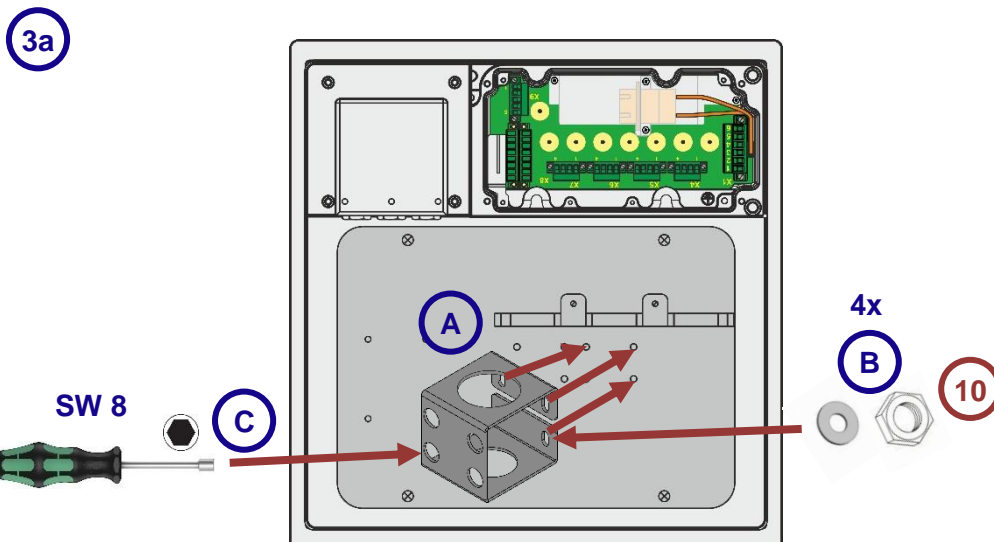
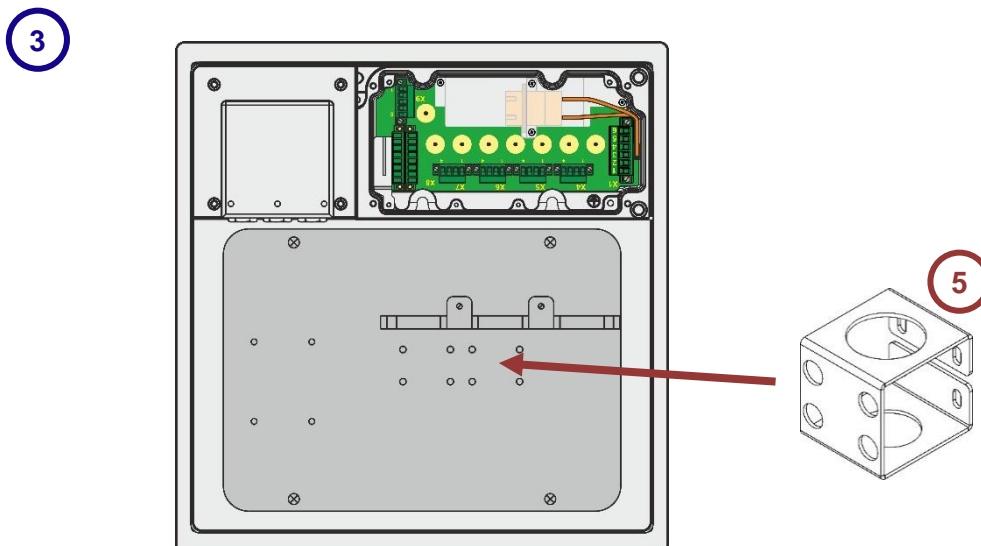
4.3.5 Pin assignment

| No. | Plug type | View | Pin | Colour | Pin xx8 X1 | Designation at the xx8 |
|-----|------------|---|-----|--------|------------|------------------------|
| 7 | DR4 BM 316 |  | 1 | Green | 6 | PE / earth |
| | | | 2 | Blue | 4 | GND / N |
| | | | 3 | Black | 2 | +24V / L |

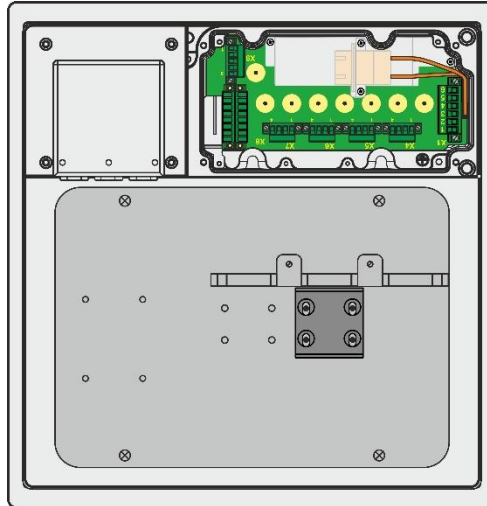
4.3.6 Mounting – Step by step

①  Carry out steps 1 and 2 from section 4.1.2.

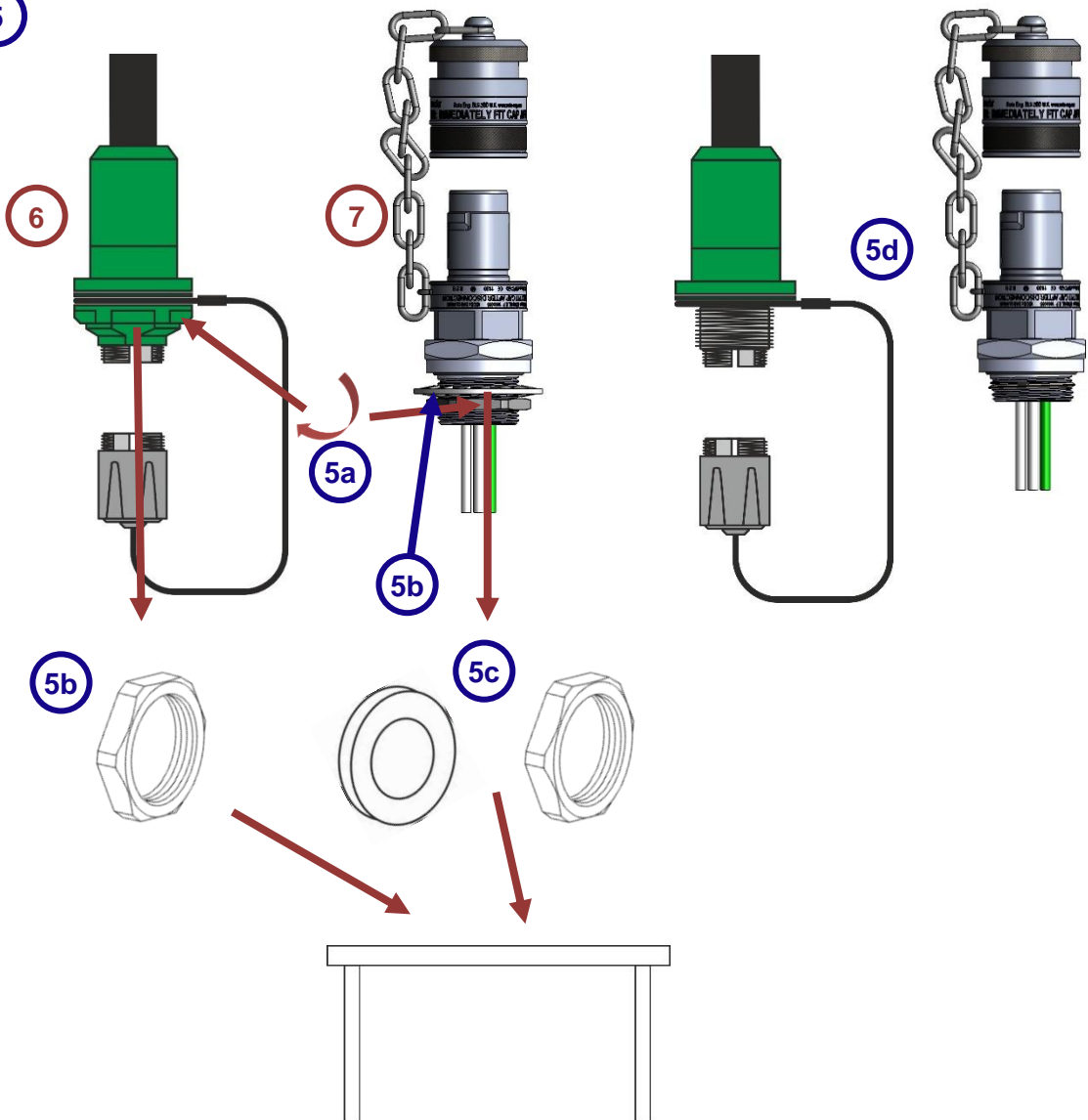
②  Carry out steps 2 to 5 from section 4.2.6.

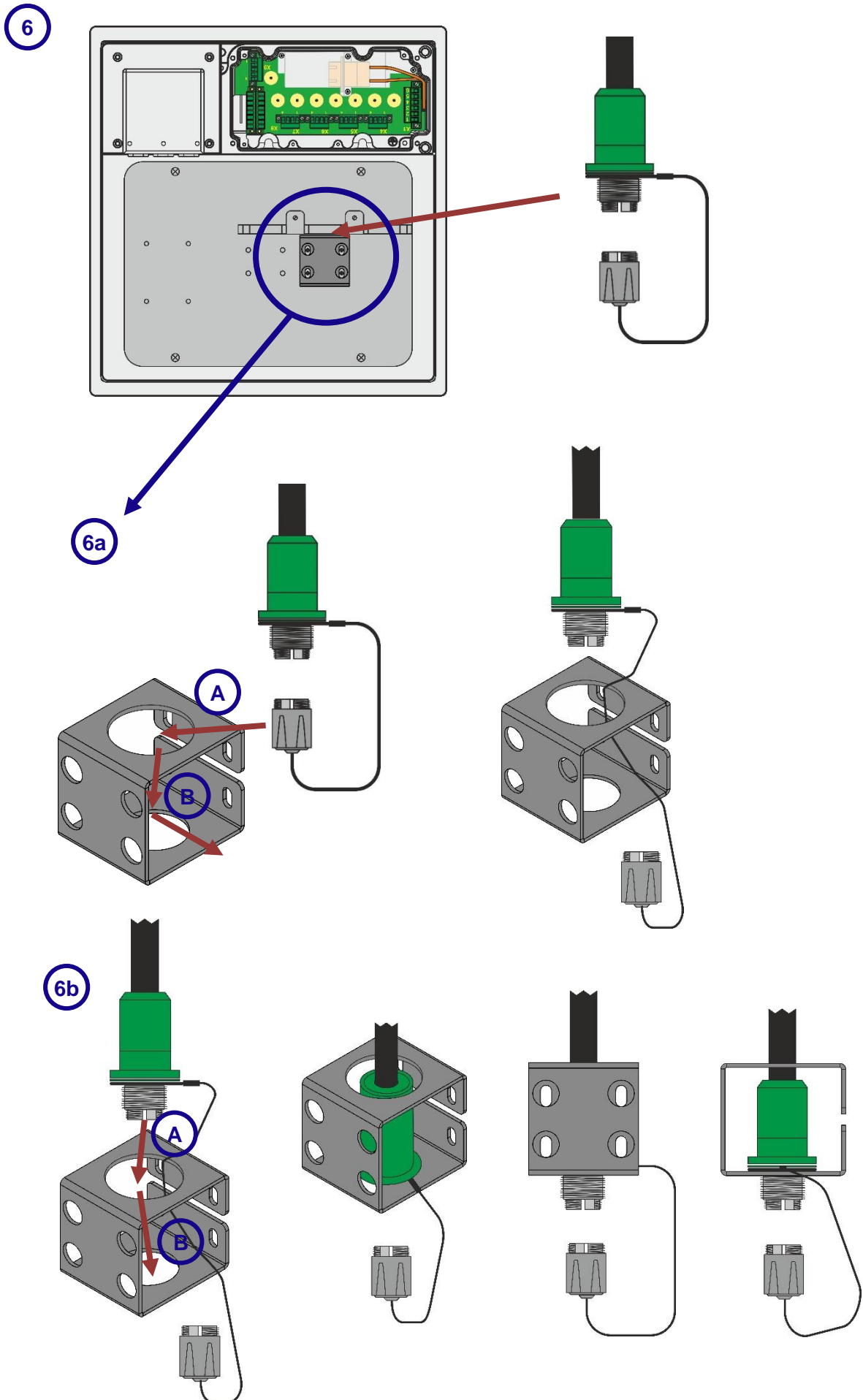


4

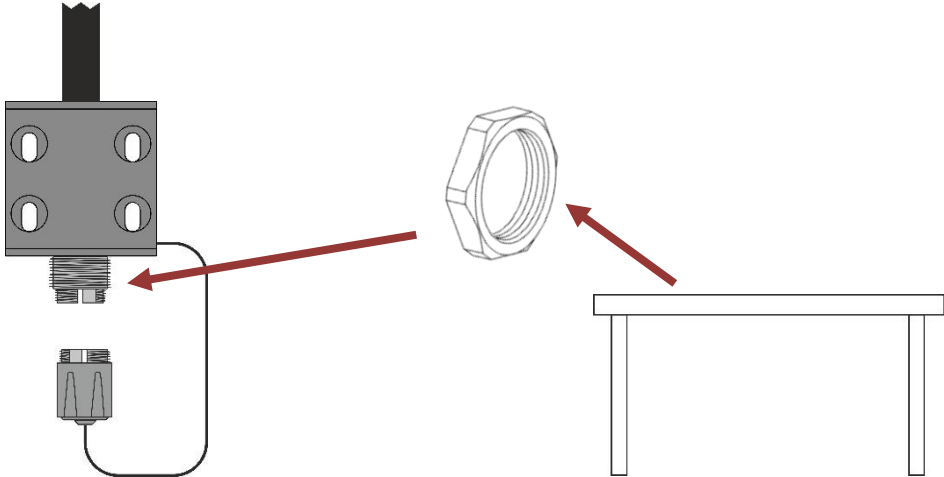


5

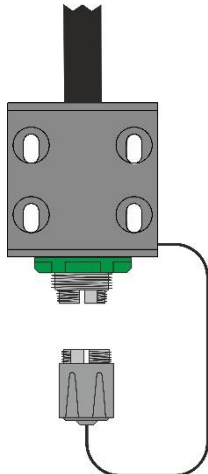




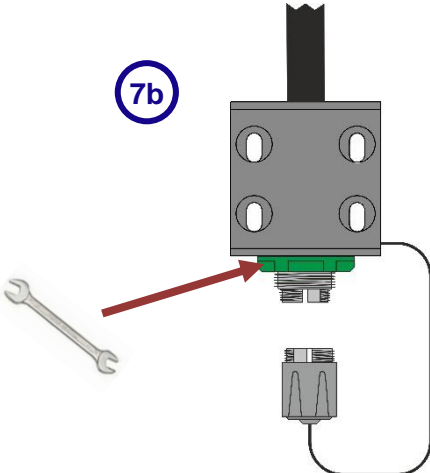
7



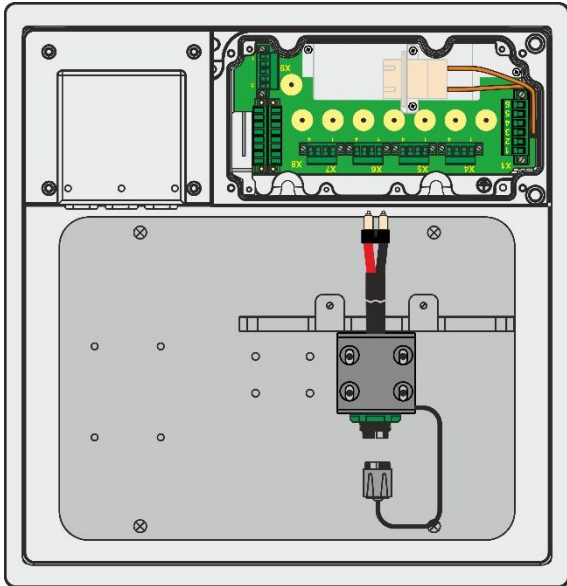
7a



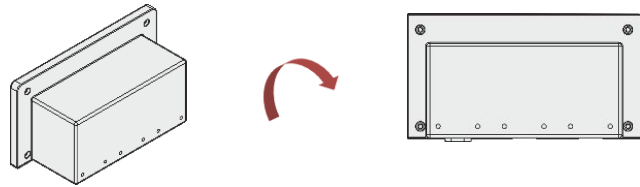
7b



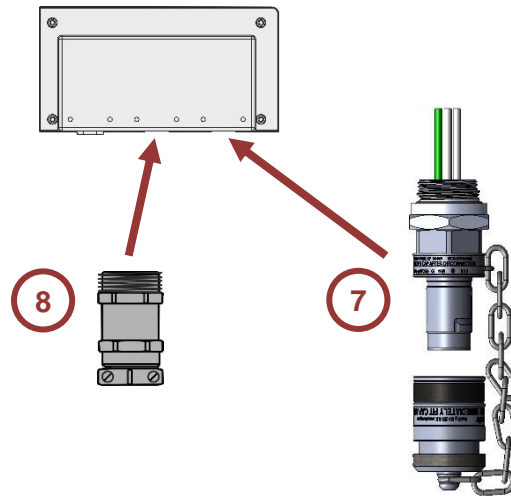
8



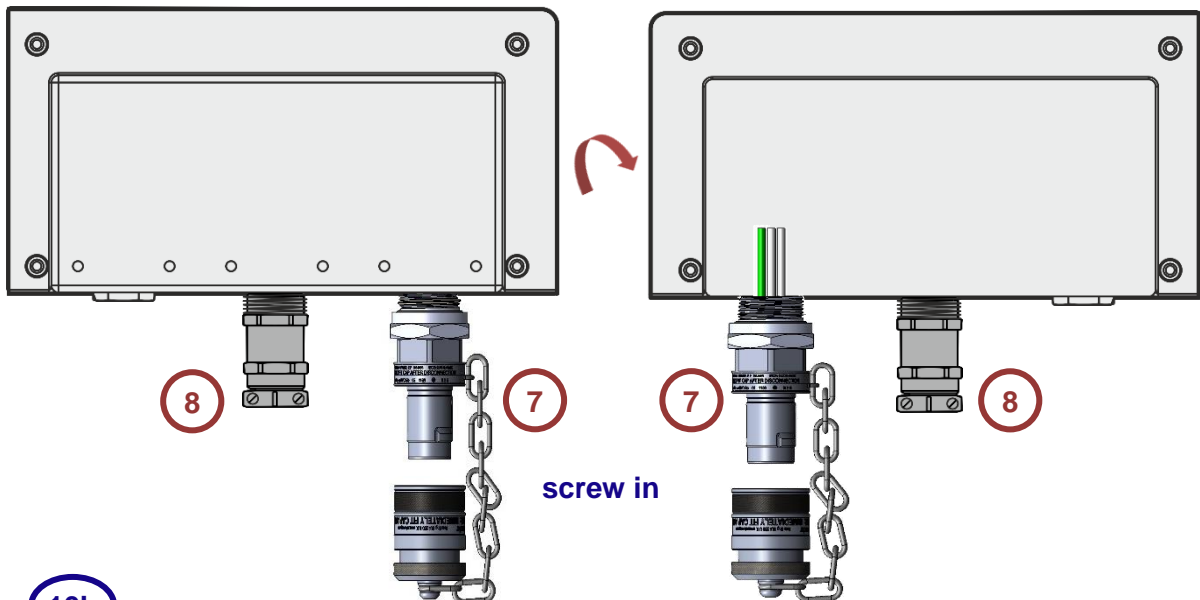
9



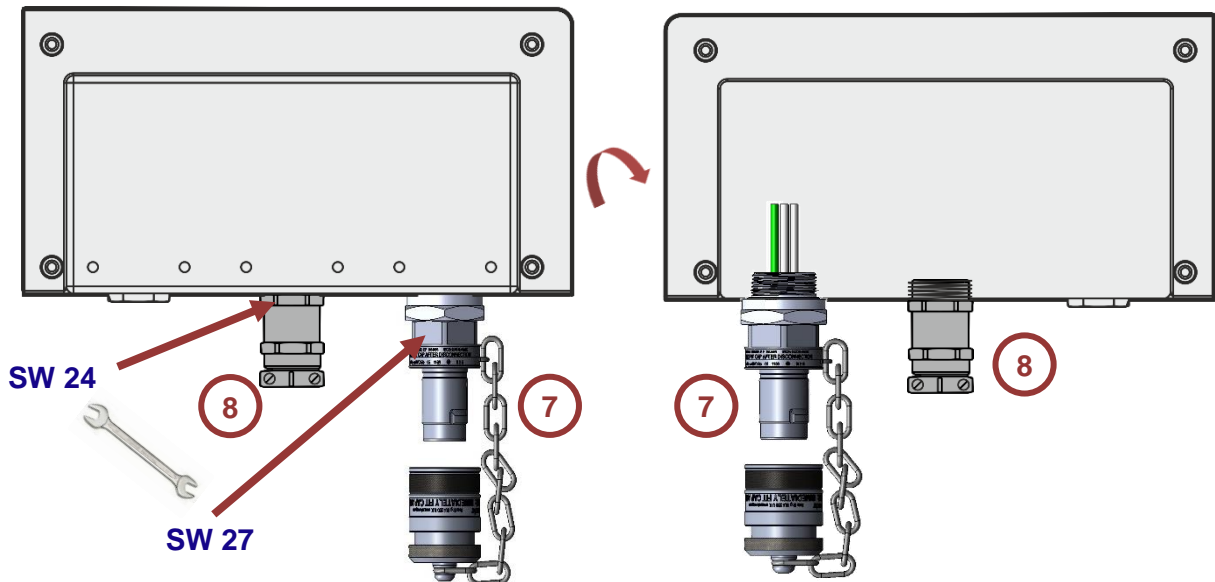
10



10a



10b



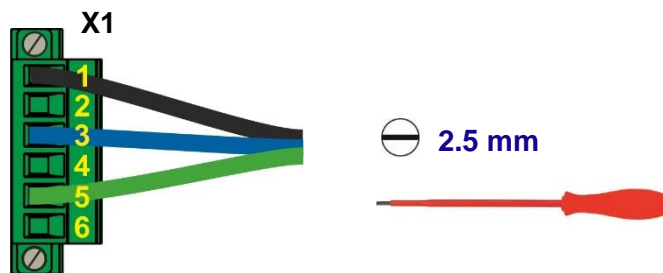
11



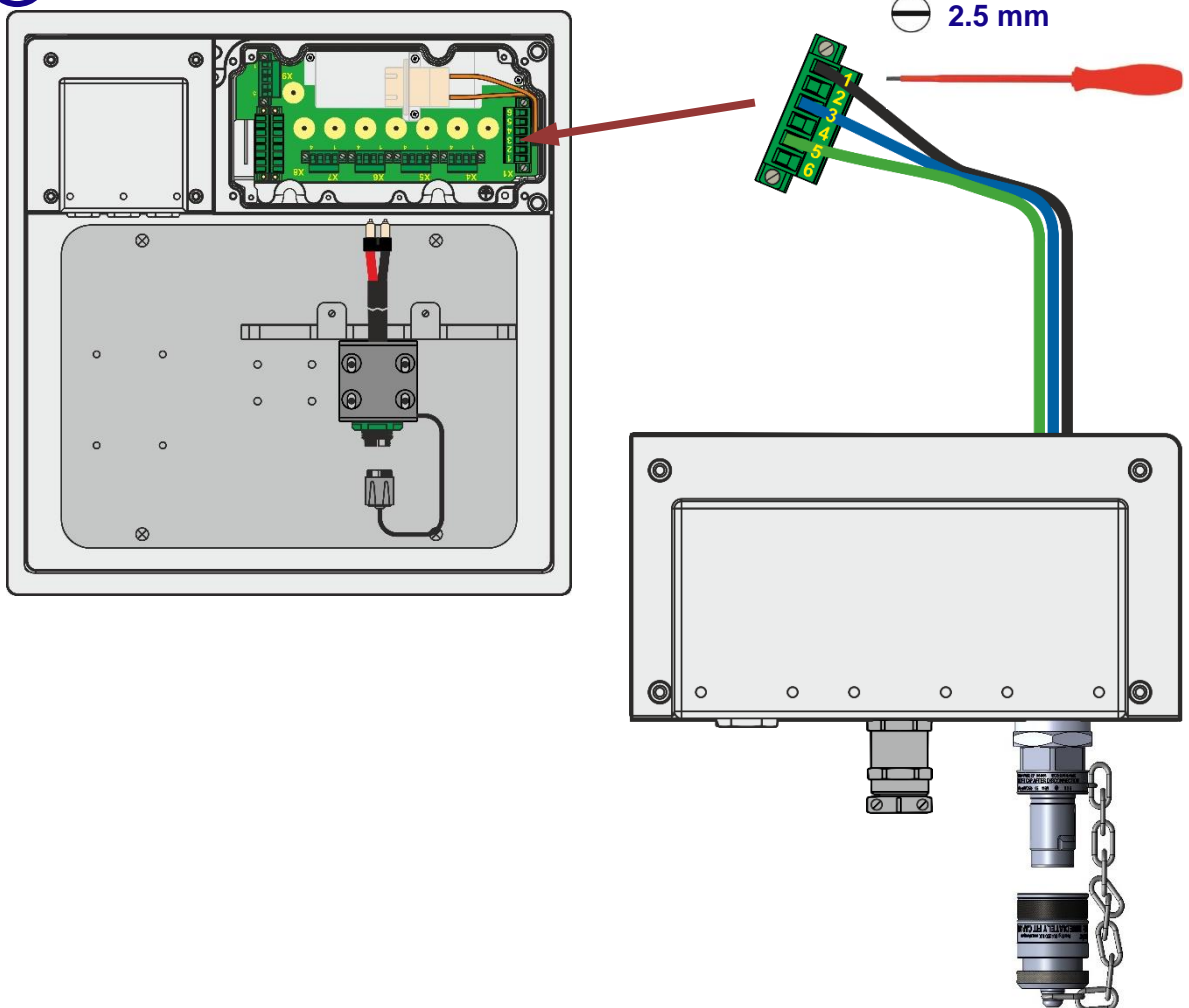
12



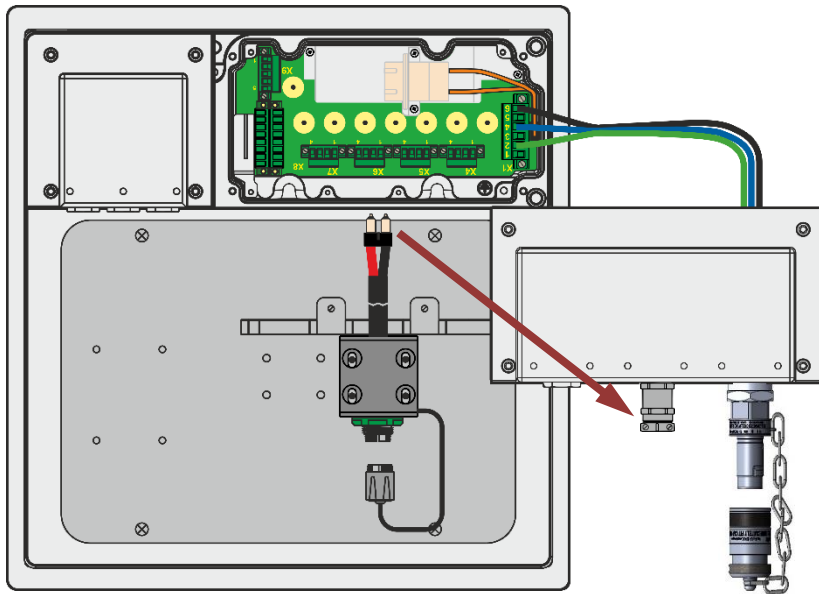
13



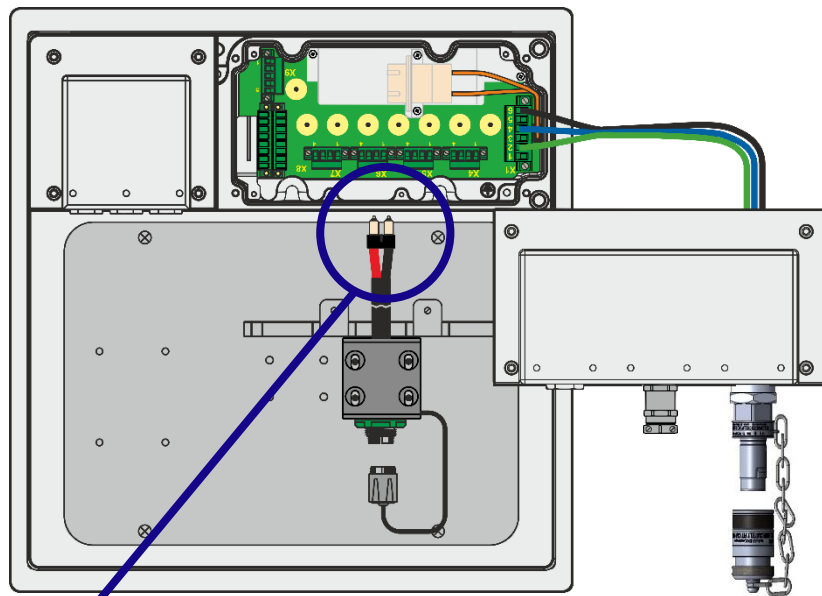
14



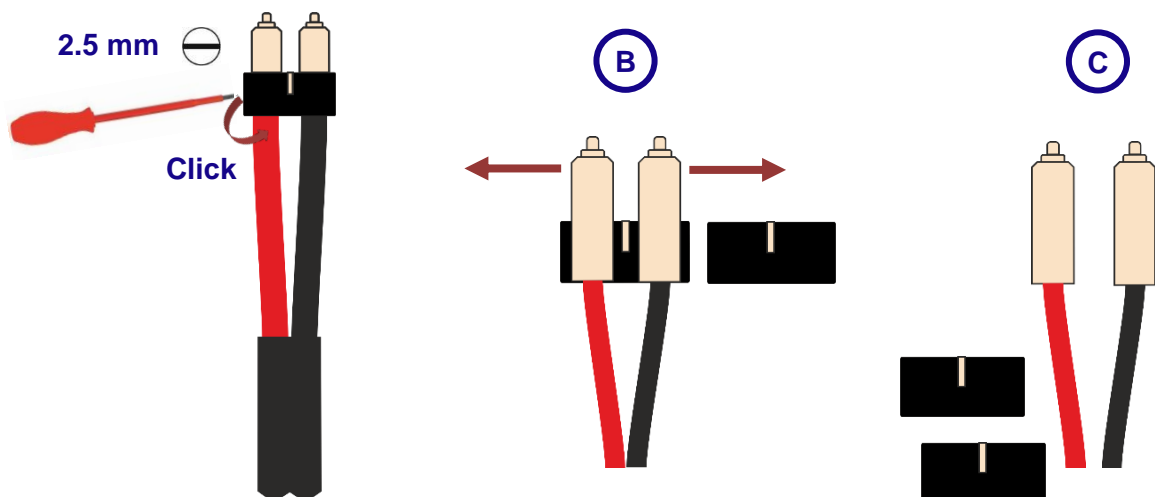
15

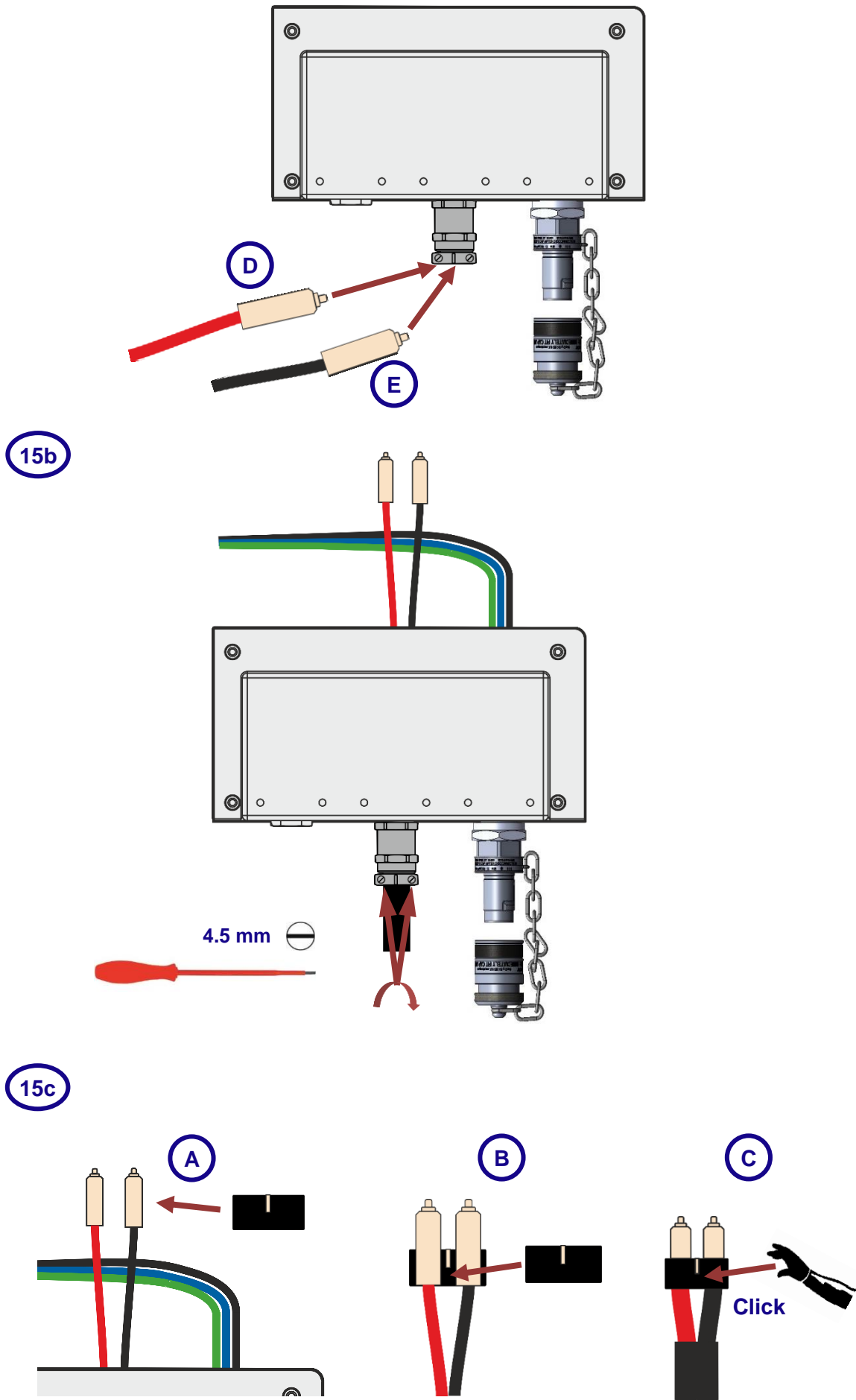


15a

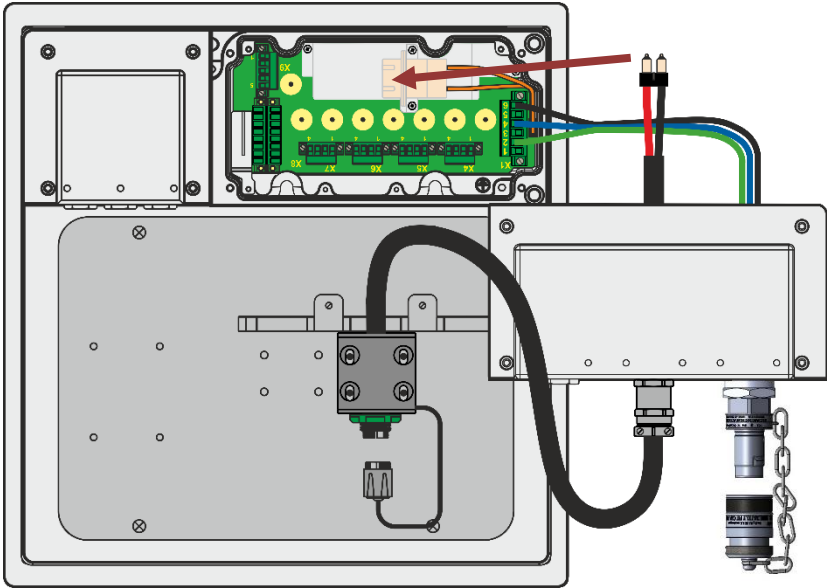


A

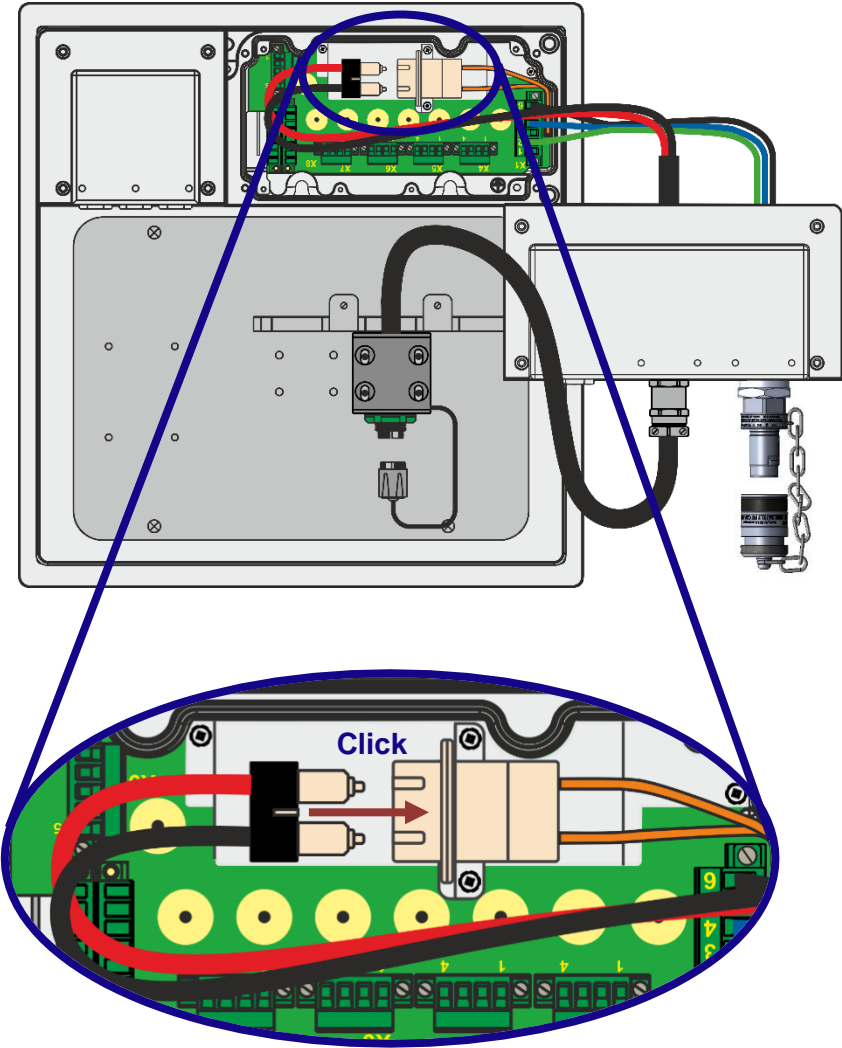


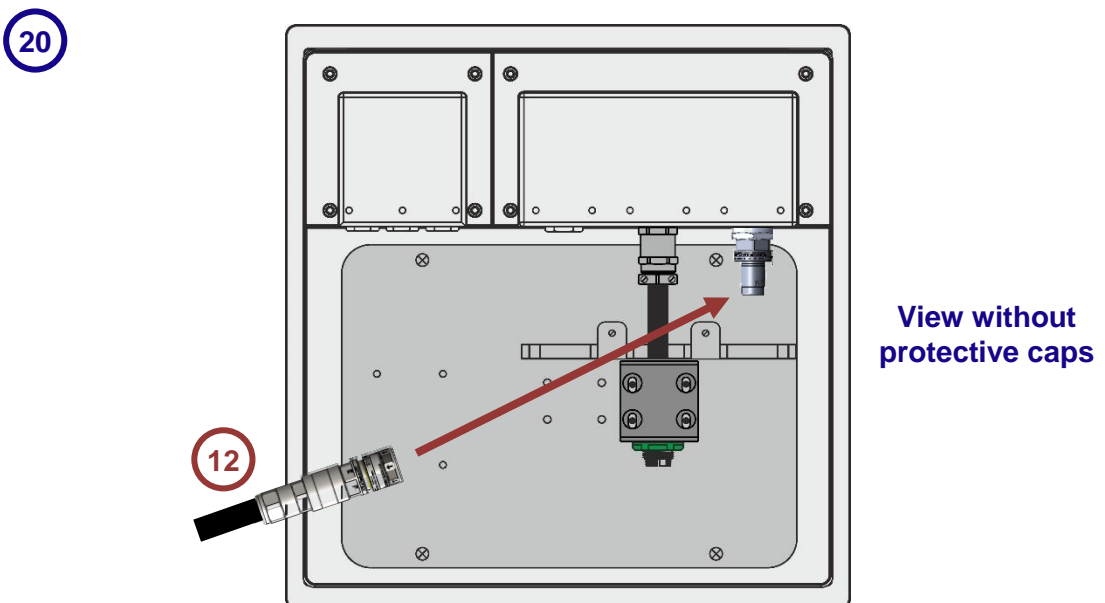
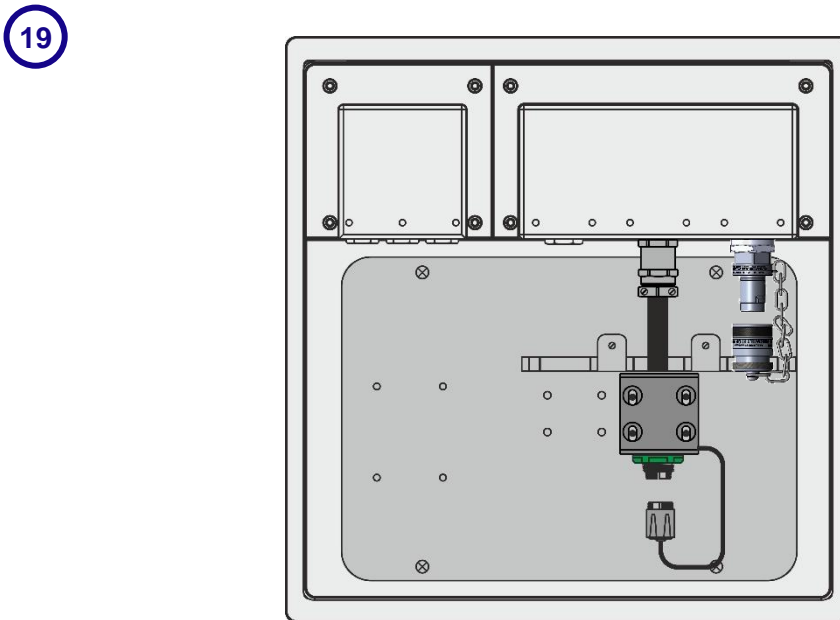
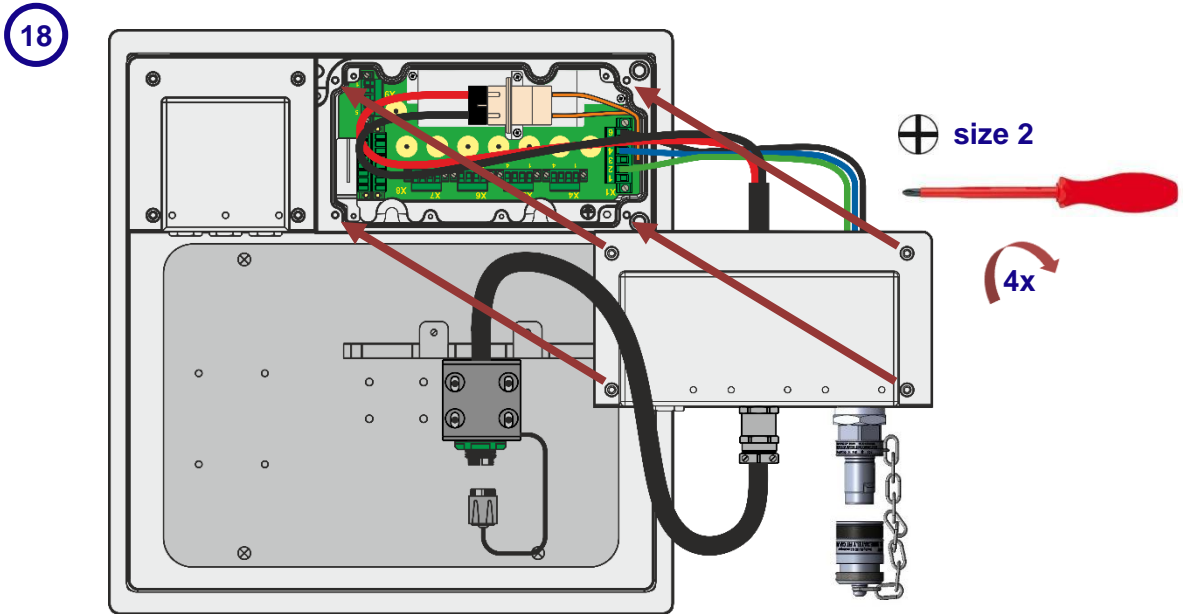


16

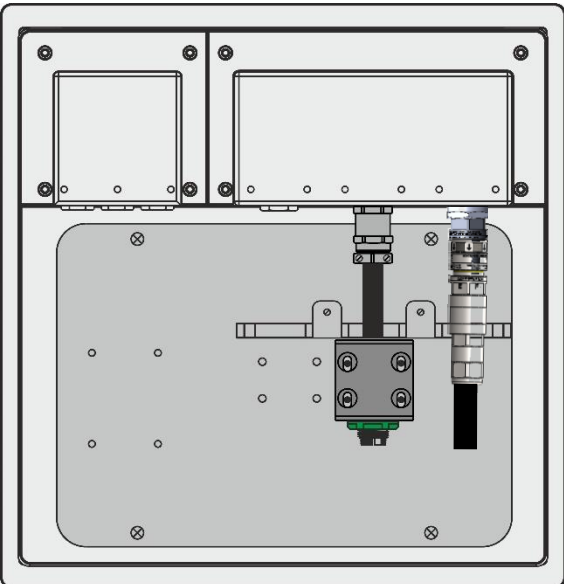


17

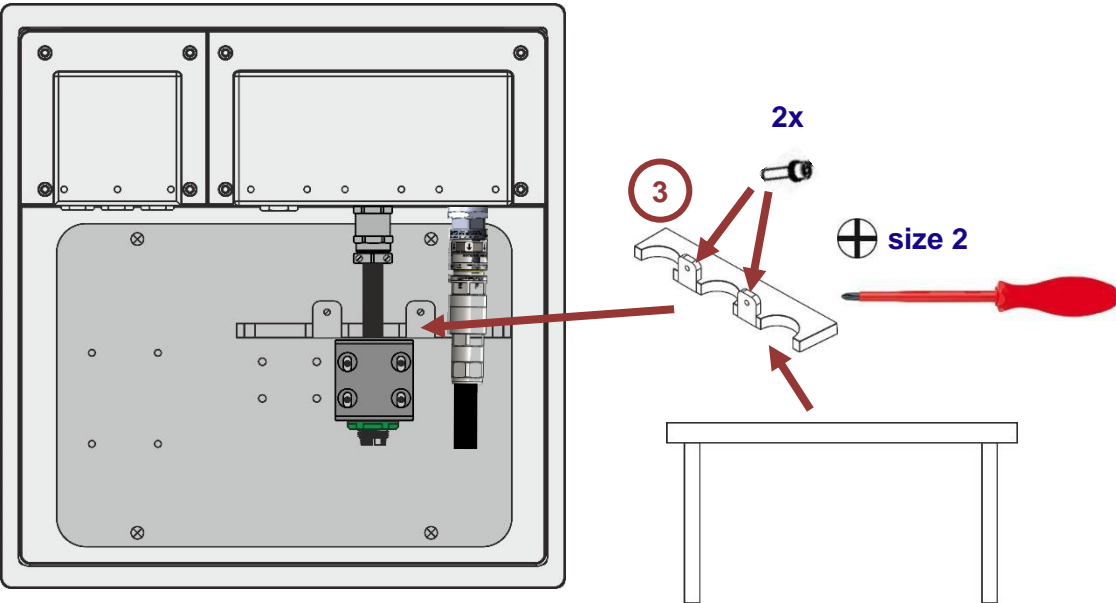




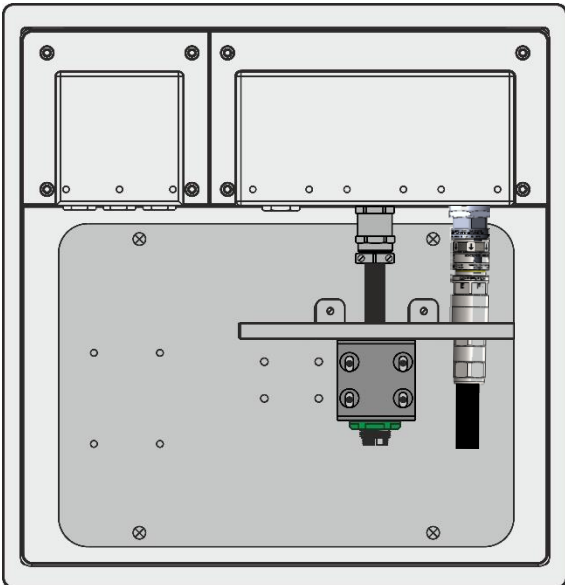
21



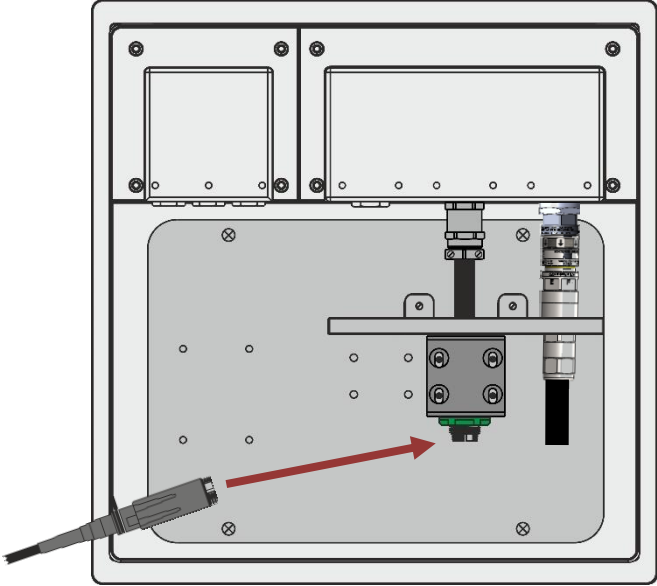
22



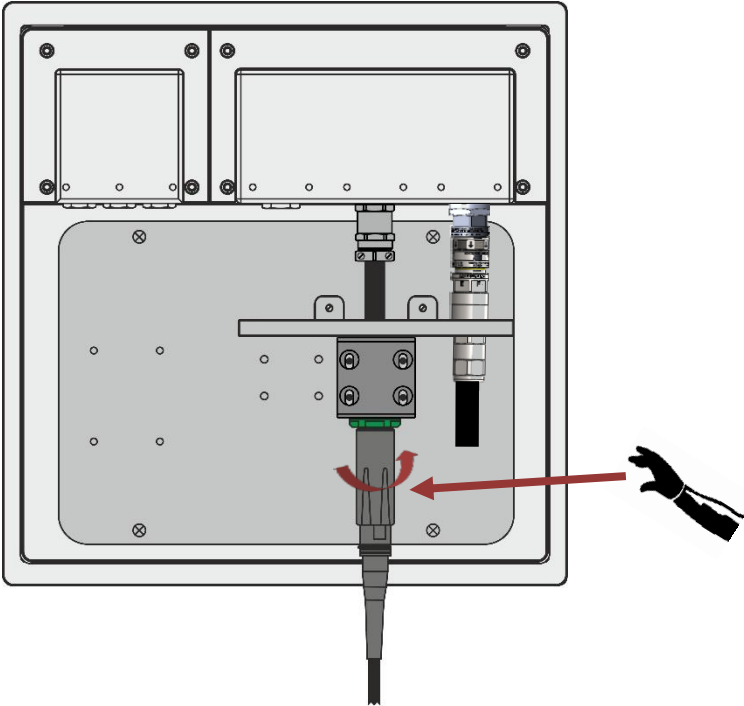
23



24

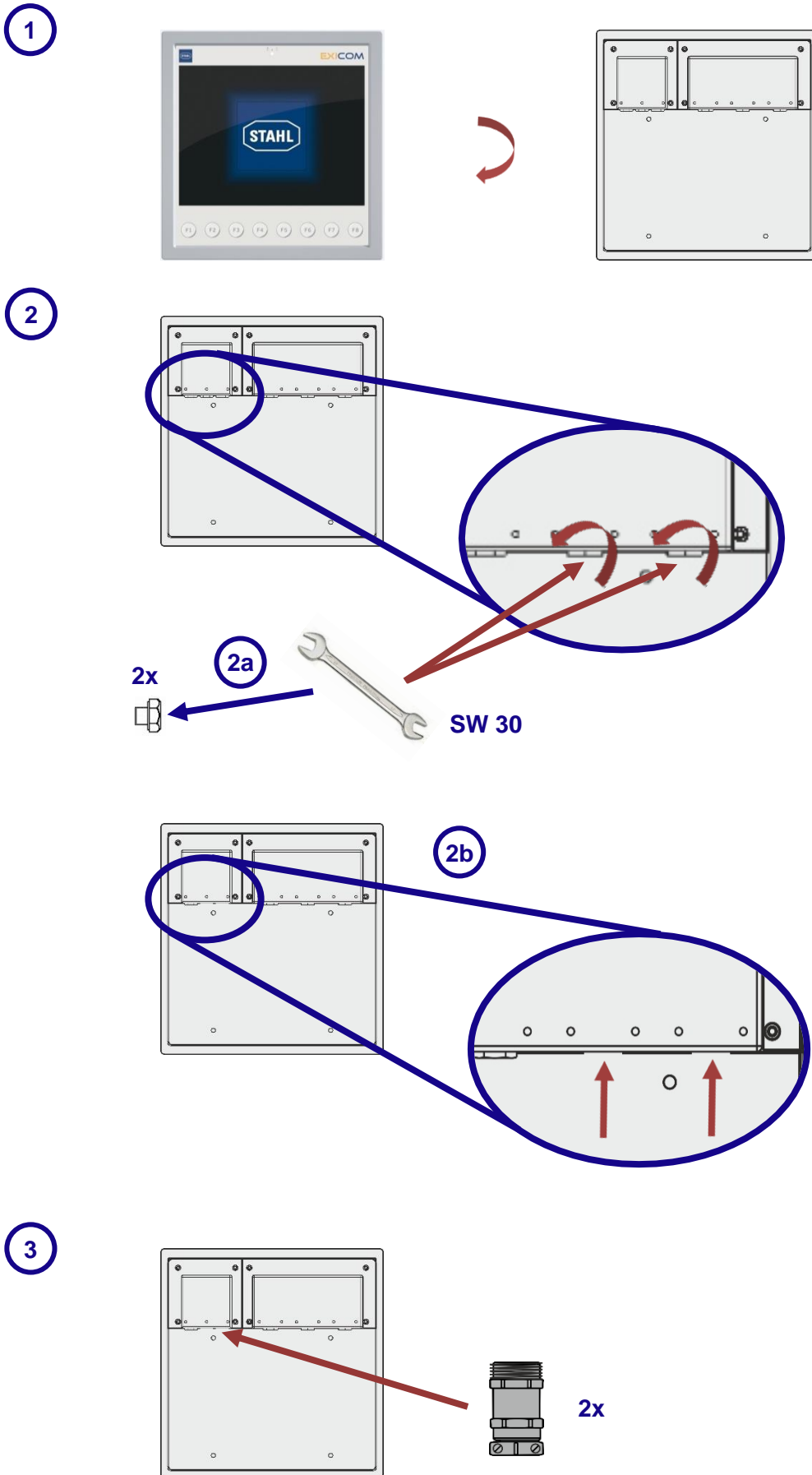


25

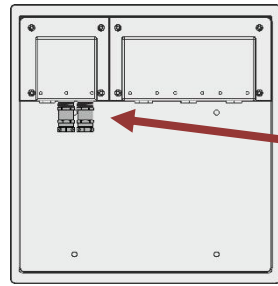


4.4 Keyboard

4.4.1 Mounting – Step by step

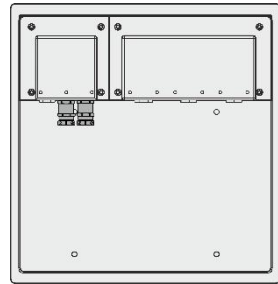


3a

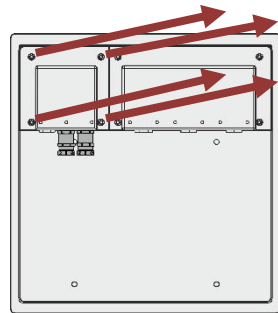


screw in 2x

3b



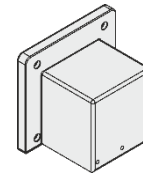
4



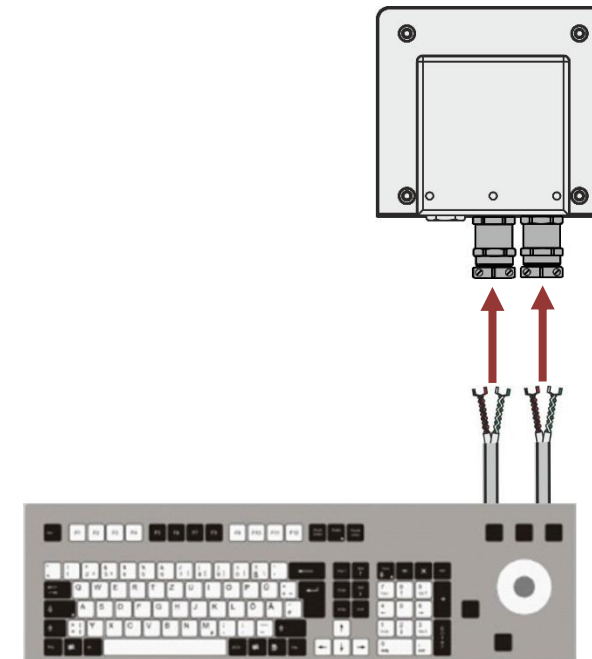
4x




size 2



5



 **DOCUMENTATION** The description of the keyboard wiring of the Top Connect devices is contained in document "IM_ET_MT-xx8".

5 Release notes

The chapter entitled "Release Notes" contains all the changes made in every version of this document.

Version 01.00.00

- First edition

R. STAHL HMI Systems GmbH
Adolf-Grimme-Allee 8
D 50829 Köln

Phone: (switchboard) +49 (0) 221 76 806 - 1000
(Hotline) - 5000

Fax: - 4100

E-mail: (switchboard) office@stahl-hmi.de
(hotline) support@stahl-hmi.de

www.r-stahl.com
www.stahl-hmi.de

