

Residual Current Circuit-Breaker

RCCB Series 8562



www.stahl.de



- > Rated working current
 - 16 A
 - 25 / 40 A
- > Rated leakage current
 - 10 mA
 - 30 / 100 / 300 / 500 mA
- > For use in pulsed DC and AC currents
- > Protection against contact voltage



12502E00

	ATEX / IECEx					
Zone	0	1	2	20	21	22
For use in		x	x			

WebCode 8562A

E9

Residual Current Circuit-Breaker

RCCB Series 8562

Selection Table

Rated residual current $I_{\Delta N}$	No. of poles	Rated operational current	Module width	Additional options	Order number	Weight
mA			mm			kg
30 mA	2 pole	25 A	54.00	without	8562/52-2100-250	1.200
			72.00	1 changeover	8562/53-2104-250	1.500
	4 pole	25 A	99.00	without	8562/54-4100-250	1.800
				fault signal, 1 changeover	8562/54-4105-250	1.800
			99.00	without	8562/54-4100-400	1.800
		40 A	99.00	1 changeover	8562/54-4104-400	1.800
300 mA	4 pole	25 A	99.00	without	8562/54-4110-250	1.800

Residual Current Circuit-Breaker
Selection Table - Order Specific Configuration

Version	Order Number			
Number of contacts	2-pole		3-pole + N	
Module width	Width 54 mm	Width 72 mm	Width 99 mm	
Order Number Supplement	8562/52-2...-...	8562/53-2...-...	8562/54-4...-...	
Rated leakage current in A	0.01*	8562/...-09-...	8562/...-09-...	
	0.03	8562/...-10-...	8562/...-10-...	8562/...-10-...
	0.1	8562/...-17-...	8562/...-17-...	8562/...-17-...
	0.3	8562/...-11-...	8562/...-11-...	8562/...-11-...
	0.5	8562/...-12-...	8562/...-12-...	8562/...-12-...
Auxiliary contact	without	8562/...-0-...	--	8562/...-0-...
	1 CO	--	8562/...-4-...	8562/...-4-...
	Fault signal 1 CO	--	8562/...-5-...	8562/...-5-...
	2 CO - 1 CO normal, 1 CO Fault signal	--	--	8562/...-6-...
Rated operational current in A	16	8562/...-09-160	8562/...-09-160	--
	25	8562/...-250	8562/...-250	8562/...-250
	40	8562/...-400	8562/...-400	8562/...-400
	* only 16 A possible			

Explosion protection

Explosion protection

Global (IECEX)

IECEX certification

IECEX PTB 06.0062U
Ex d e IIC
Ex d e I

Europe (ATEX)

Certificate

PTB 02 ATEX 1049 U
⊕ II 2 G Ex d e IIC Gb
⊕ I M 2 Ex d e I Mb

Certifications and certificates

Certificates

IECEX, ATEX, Canada (CSA), Canada (UL), Kazakhstan (GOST K), USA (UL), Belarus (operating authorisation)

Residual Current Circuit-Breaker

RCCB Series 8562



Technical Data

Electrical data

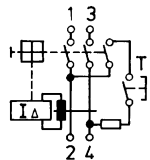
Rated operational voltage	2 pole:	230 V AC									
	4 pole:	230 / 400 V AC									
Rated working and leakage currents	2 pole (54 mm):	$I_N = 16 \text{ A}$; $I_{\Delta N} = 10 \text{ mA}$ $I_N = 25 / 40 \text{ A}$; $I_{\Delta N} = 30 / 100 / 300 / 500 \text{ mA}$									
	4 pole (99 mm):	$I_N = 25 / 40 \text{ A}$; $I_{\Delta N} = 30 / 100 / 300 / 500 \text{ mA}$									
Rated frequency	50 / 60 Hz										
Rated switching capacities	500 A (or $10 \times I_N$)										
Residual current switching-capacity $I_{\Delta m}$	500 A (or $10 \times I_N$)										
Tripping time at rated residual current	< 40 ms										
Isolation function	Yes (to IEC/EN 61008)										
No. of poles	2-pole; 4-pole										
Note	AC and pulsed DC. The breaker has an external test button for checking earth fault function. Selective ELCB on request.										
Version	Type A, pulse current sensitive to IEC/EN 61008										
Conditional rated short-circuit current I_{NC}	6000 A										
Conditional rated residual short-circuit current $I_{\Delta C}$	10000 A										
Short-circuit protection	Maximum values of conditional short-circuit current										
	Following residual current circuit-breaker	Preceding fuse type gG									
	Type	I_N [A]									
	Fuse rated values										
			16 A	25 A	32 A	40 A	50 A	63 A	80 A	100 A	
	8562/52	16	100 kA	100 kA	80 kA	50 kA	40 kA	25 kA	16 kA	10 kA	
	2-pole	25	100 kA	100 kA	80 kA	50 kA	40 kA	25 kA	16 kA	10 kA	
		40	100 kA	100 kA	80 kA	50 kA	40 kA	25 kA	16 kA	10 kA	
	8562/54	25	100 kA	100 kA	80 kA	50 kA	40 kA	25 kA	16 kA	10 kA	
	4-pole	40	100 kA	100 kA	80 kA	50 kA	40 kA	25 kA	16 kA	10 kA	
	Overload monitoring										
	Type 8562/5	fusible link gG									
		16 A	10 A								
		25 A	20 A								
		40 A	32 A								
Service life	Electrical	10^4 switching cycles									
	mechanical	2×10^4 switching cycles									
Impact strength	250 A, 8 / 20 μs										
Auxiliary contact	see circuit diagrams										
Version	see circuit diagrams										
Rated working current	5 A at 230 V AC 1 A at 60 V DC										
Ambient conditions											
Ambient temperature	- 20 ... + 60 °C										
Mechanical data											
Degree of protection	Degree of protection acc. to IEC/EN 60529 Connecting terminals IP20										
Material	Epoxy resin										
Mounting / installation											
Terminals	Main contacts	1.5 ... 10 mm ² clamp terminals									
	Auxilliary contacts	1.5 mm ² clamp terminals									

E9

Residual Current Circuit-Breaker

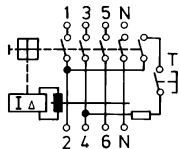
RCCB Series 8562

Schematic



07607E00

2 pole



07609E00

4 pole



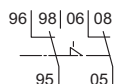
11536E00

Auxiliary contact 1 CO



07618E00

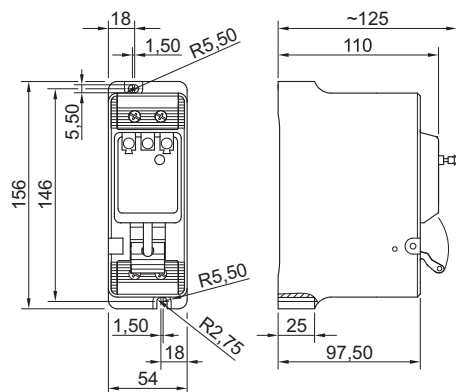
Fault indication contact 1 CO



12219E00

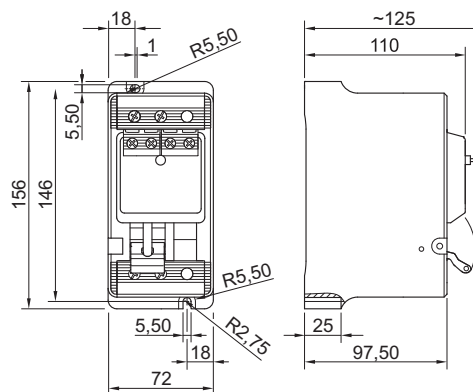
2 CO - 1 CO normal, 1 CO Fault indication contact

Dimensional Drawings (All Dimensions in mm) - Subject to Alterations



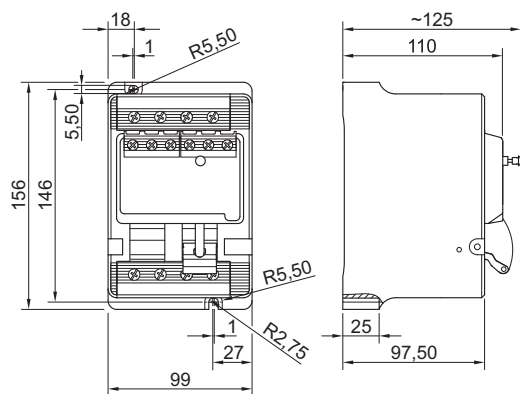
04644E00

ELCB, 2 pole, 8562/52-...



04646E00

ELCB, 2 pole + 1 aux. contact, 8562/53-...



04645E00

ELCB, 4 pole, 8562/54-...

We reserve the right to make alterations to the technical data, dimensions, weights, designs and products available without notice. The illustrations cannot be considered binding.