

Signal Beacon - LED

Series 6162



www.stahl.de



06147E00

- > Versions
 - rotating mirror beacon
 - rotating beacon
 - beacon with double flash (9 + 5 J)
 - flashing beacon (15 J)
 - LED-continuous beacon
 - LED-rotating beacon
- > Seawater resistant aluminium enclosure with glass dome
- > Integrated Ex e connection chamber
- > Glass dome available in: signal yellow, red, amber and blue resp. clear
- > Available with
 - 20 W / 35 W halogen bulb or as
 - LED-continuous beacon / LED-rotating beacon



E5

The R. STAHL Signal Beacon Series 6162 is approved for use in Ex Zones 1, 2, 21 and 22. All models feature an integrated "increased safety" wiring space. The rotating mirror beacons and the rotating beacons have an integrated wear resistant friction gear which creates 180 light signals per minute.

The wear-free LED beacons ensure an extremely high service life of up to 50,000 hours due to the innovative LED technology. In addition to the LED-continuous beacon, a LED-rotating beacon is also available. This LED-rotating beacon is maintenance-free thanks to the absence of any moving components.

The robust, seawater resistant aluminium enclosure ensures IP66 protection for all models.

Zone	ATEX / IECEx					
	0	1	2	20	21	22
For use in		x	x		x	x

WebCode 6162A

Signal Beacon - LED

Series 6162

Selection Table

Version	Rated operational voltage	Lamp wattage	Colour of glass	Order number	Art. no.	Weight kg
Rotating mirror beacon	24 V AC / DC, 50 ... 60 Hz	35 W	signal yellow	6162/17-62-111	219928	5.300
			clear	6162/17-62-211	219930	5.300
			red	6162/17-62-311	219934	5.300
			blue	6162/17-62-411	219936	5.300
			amber	6162/17-62-611	219938	5.300
			green	6162/17-62-711	241480	5.300
	115 V AC, 50 ... 60 Hz	35 W	signal yellow	6162/17-32-111	219879	5.300
			clear	6162/17-32-211	219904	5.300
			red	6162/17-32-311	219909	5.300
			blue	6162/17-32-411	219910	5.300
			amber	6162/17-32-611	219911	5.300
			green	6162/17-32-711	241478	5.300
	230 V AC, 50 ... 60 Hz	35 W	signal yellow	6162/17-12-111	219894	5.300
			clear	6162/17-12-211	219896	5.300
			red	6162/17-12-311	219897	5.300
			blue	6162/17-12-411	219873	5.300
			amber	6162/17-12-611	219874	5.300
			green	6162/17-12-711	241477	5.300
Rotating beacon	24 V AC / DC, 50 ... 60 Hz	35 W	signal yellow	6162/18-62-111	219962	5.300
			clear	6162/18-62-211	219963	5.300
			red	6162/18-62-311	219964	5.300
			blue	6162/18-62-411	219965	5.300
			amber	6162/18-62-611	219966	5.300
			green	6162/18-62-711	241535	5.300
	115 V AC, 50 ... 60 Hz	35 W	signal yellow	6162/18-32-111	241523	5.300
			clear	6162/18-32-211	241524	5.300
			red	6162/18-32-311	241525	5.300
			blue	6162/18-32-411	241526	5.300
			amber	6162/18-32-611	241527	5.300
			green	6162/18-32-711	241528	5.300
	230 V AC, 50 ... 60 Hz	35 W	signal yellow	6162/18-12-111	219952	5.300
			clear	6162/18-12-211	219953	5.300
			red	6162/18-12-311	219954	5.300
			blue	6162/18-12-411	219955	5.300
			amber	6162/18-12-611	219956	5.300
			green	6162/18-12-711	241522	5.300

Signal Beacon - LED

Series 6162



Selection Table

Version	Rated operational voltage	Lamp wattage	Colour of glass	Order number	Art. no.	Weight kg
Xenon Flashing beacon	24 V AC / DC ($\pm 15\%$), 50 ... 60 Hz	15 J	signal yellow	6162/15-64-111	219798	5.300
			clear	6162/15-64-211	219799	5.300
			red	6162/15-64-311	219800	5.300
			blue	6162/15-64-411	219861	5.300
			amber	6162/15-64-611	219862	5.300
			green	6162/15-64-711	219973	5.300
	110 ... 127 V AC, 50 ... 60 Hz	15 J	signal yellow	6162/15-44-111	219851	5.300
			clear	6162/15-44-211	219794	5.300
			red	6162/15-44-311	219795	5.300
			blue	6162/15-44-411	219796	5.300
			amber	6162/15-44-611	219797	5.300
			green	6162/15-44-711	219957	5.300
	230 ... 240 V AC, 50 ... 60 Hz	15 J	signal yellow	6162/15-74-111	219863	5.300
			clear	6162/15-74-211	219864	5.300
			red	6162/15-74-311	219865	5.300
			blue	6162/15-74-411	219866	5.300
			amber	6162/15-74-611	219867	5.300
			green	6162/15-74-711	219974	5.300
LED continuous beacon	24 V DC	5 W	signal yellow	6162/19-55-111	201879	5.300
			red	6162/19-55-311	201880	5.300
			amber	6162/19-55-611	203036	5.300
	115 ... 230 V AC, 50 ... 60 Hz	5 W	signal yellow	6162/19-95-111	201901	5.300
			red	6162/19-95-311	219980	5.300
			amber	6162/19-95-611	203037	5.300
LED rotating beacon	24 V DC	3.6 W	signal yellow	6162/18-55-111	219972	5.300
			red	6162/18-55-311	219959	5.300
			amber	6162/18-55-611	219961	5.300
	115 ... 230 V AC, 50 ... 60 Hz	3.6 W	signal yellow	6162/18-95-111	201903	5.300
			red	6162/18-95-311	219975	5.300
			amber	6162/18-95-611	219976	5.300
Note	The optical beacons are supplied without mounting accessories and wire guard. These must be ordered separately!					

E5

Signal Beacon - LED

Series 6162

Explosion Protection

Global (IECEX)

Gas and dust	IECEX PTB 06.0078 Ex d e IIC T3 ... T6 Gb* Ex tb IIIC T80 °C ... T160 °C Db*
--------------	--

Europe (ATEX)

Gas and dust	PTB 06 ATEX 1037 ⊕ II 2 G Ex d e IIC T3 ... T6 Gb* ⊕ II 2 D Ex tb IIIC T80 °C ... T160 °C Db* * Temperature classes are dependent on lamp wattage (see product variant table)
--------------	--

Certifications and certificates

Certificates	IECEX, ATEX, Kazakhstan (TR), Russia (TR), Belarus (TR)
--------------	---

Product variant table

Version	Power or Voltage	Temperature class	Max surface temperature	Ambient temperature range
Rotating mirror beacon	35 W	T3	160 °C	-20 +50 °C
	20 W	T4	115 °C	-20 +50 °C
Rotating beacon	35 W	T4	115 °C	-20 +50 °C
	20 W	T6	80 °C	-20 +40 °C
	20 W	T5	90 °C	-20 +50 °C
Xenon beacon with double flash	24 V AC / DC, 50...60 Hz	T5	95 °C	-20 +50 °C
	115 V AC, 50...60 Hz	T5	90 °C	-20 +40 °C
	115 V AC, 50...60 Hz	T4	100 °C	-20 +50 °C
	230 V AC, 50...60 Hz	T5	95 °C	-20 +50 °C
Xenon flashing beacon	24 V AC / DC, 50...60 Hz	T6	75 °C	-20 +50 °C
	110 ... 127 V AC, 50...60 Hz	T5	95 °C	-20 +40 °C
	110 ... 127 V AC, 50...60 Hz	T4	105 °C	-20 +50 °C
	230 ... 240 V AC, 50...60 Hz	T6	80 °C	-20 +50 °C
LED continuous beacon / LED rotation beacon	24 V AC / DC, 50...60 Hz	T6	80 °C	-20 +50 °C
	24 V AC / DC, 50...60 Hz	T5	90 °C	-20 +60 °C
	115 ... 230 V AC, 50...60 Hz	T6	80 °C	-20 +50 °C
	115 ... 230 V AC, 50...60 Hz	T5	90 °C	-20 +60 °C

Technical Data

Electrical data

Rated operational voltage	see selection table
---------------------------	---------------------

Luminous characteristics

Lamp wattage	see selection table		
Rotation speed	rotating mirror beacon:	180 rpm	
	rotating beacon:	60 rpm	
Duty cycle	100 %		
Service life	rotating mirror beacon	5000 h (drive)	
	rotating beacon	5000 h (drive)	
	beacon with double flash	4x10 ⁶ flashes	
	flashing beacon	4x10 ⁶ flashes	
	LED-rotating beacon	max. 50 000 h	
	LED-continuous beacon	max. 50 000 h	

Ambient conditions

Ambient temperature	see selection table
---------------------	---------------------

Signal Beacon - LED

Series 6162



Technical Data


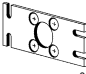

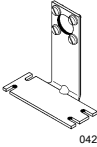



Mechanical data

Degree of protection	IP66
Protection class	I(acc. to IEC/EN 60598)
Material	
Enclosure	aluminium powder coated, seawater resistant
Light dome	glass, resistant to thermal shocks
Wire guard	stainless steel
Seal	NBR O-ring

Mounting / Installation

Cable entries	1 x M20 x 1.5 (∅ 4 ... 13 mm) 1 x M20 x 1.5 stopping plug metal cable gland on request
Connection cross-section	
L1, N, PE	2.5 mm ² finely-stranded 4 mm ² solid

Accessories and Spare Parts

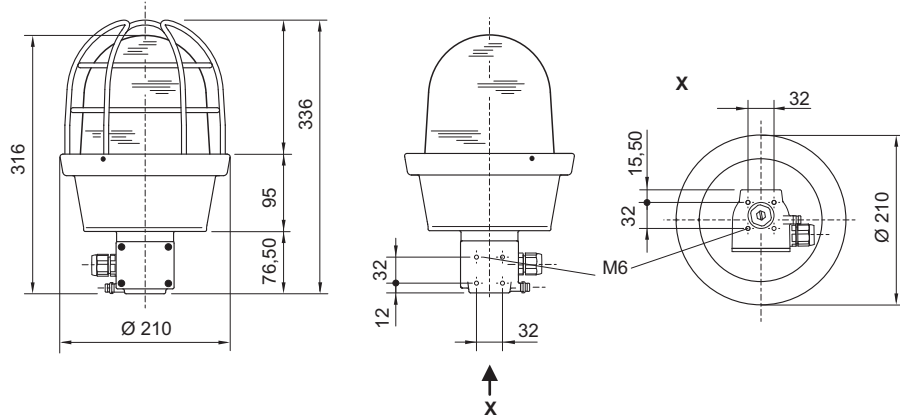
Designation	Figure	Description	Art. no.	Weight kg
Halogen lamp G6.35	 05003E00	20 W / 12 V 2 pc	120933	0.001
		20 W / 24 V 2 pc	120934	0.001
		35 W / 12 V 2 pc	120935	0.001
		35 W / 24 V 2 pc	120936	0.001
Mounting plate	 04279E00	material: stainless steel, includes mounting screws, for wall or floor mounting	120821	0.158
Pipe clamp	 04223E00	R 2" 1 pc	120921	0.600
		R 1 1/2" 1 pc	120920	0.560
		R 1 1/4" 1 pc	120919	0.520
Mounting bracket	 04281E00	material: stainless steel, includes mounting screws	120930	0.450
Wire guard	 10289E00	material: stainless steel, includes mounting screws	120917	0.540
Cable gland	 02055E00	8161/7-M20-1304 4 ... 13 mm ²	50 pieces (delivery lot ^{*)})	251549
Stopping plug	 04840E00	8290/3-M20 1 piece	143522	0.005
		8290/3-M20 100 pieces	143543	0.500

^{*)} Purchase order quantity in [pieces], the delivery quantity is automatically rounded to the delivery lot.

E5

Signal Beacon - LED Series 6162

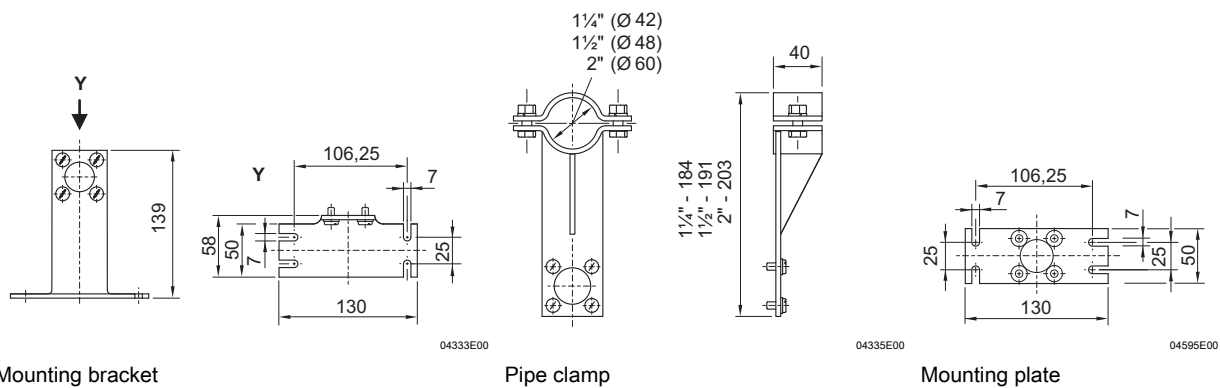
Dimensional Drawings (All Dimensions in mm) - Subject to Alterations



04282E00

Signal beacon Series 6162

Mounting accessories



Mounting bracket

Pipe clamp

Mounting plate

We reserve the right to make alterations to the technical data, dimensions, weights, designs and products available without notice. The illustrations cannot be considered binding.