

Ex d Enclosures made of Light Metal, Flameproof Encapsulation Series 8265

GUBOX

STAHL



- > International certification
- > 6 enclosure sizes
- > Inspection windows are optional available
- > Direct or indirect cable entry possible

www.stahl.de



11404E00

The enclosures are used for building motor control units, control stations and terminal boxes. They are suitable for installation of measuring instruments and customer specific control panels. This technology allows using sparking and arcing components in Zones 1 and 2. The built-in components are standard electrical switching devices designed and wired according to customer specifications. The single enclosures can be installed as components in Ex e control panels.

A typical use is the installation as motor protection circuit breakers in light and heating circuits.

The enclosure design is optimized for:

- > Simple installation and commissioning of the equipment
- > Efficient maintenance

This is achieved by a large cover opening.

The complete mounting area for the electrical components is freely accessible. Covers with inspection windows, O-rings for a guaranteed degree of protection IP66 as well as mounting plates and simple DIN mounting rails are available as accessories.

For direct cable entry into enclosures, flameproof cable glands or threaded holes for conduit connection can be applied. For indirect cable entry, enclosures with connection chambers of type of protection "increased safety" - for Series 8146 and 8150 - are used.

WebCode 8265A

Ex d Enclosures made of Light Metal, Flameproof Encapsulation Series 8265



	ATEX / IECEx					
Zone	0	1	2	20	21	22
For use		x	x		x	x

Explosion Protection

Global (IECEX)

Gas and dust

8265/0: IECEx PTB 07.0027 U
 8265/4: IECEx PTB 07.0028 U
 8265/5: IECEx PTB 07.0029
 8265/0: Ex db eb IIC Gb
 8265/4: Ex db eb ia ib [ia Ga] IIC Gb
 8265/5: Ex db eb ia ib [ia Ga] IIC T6, T5, T4 Gb
 8265/0: Ex tb IIIC Db
 8265/5: Ex tb IIIC T80°C, T95°C Db

Europe (ATEX)

Gas and dust

8265/0: PTB 06 ATEX 1023 U
 8265/4: PTB 06 ATEX 1076 U
 8265/5: PTB 06 ATEX 1077
 8265/0: Ⓜ II 2 G Ex db eb IIC Gb
 8265/4: Ⓜ II 2 G Ex db eb ia ib [ia Ga] IIC Gb
 8265/5: Ⓜ II 2 G Ex db eb ia ib [ia Ga] IIC Gb T6, T5, T4 Gb
 8265/0: Ⓜ II 2 D Ex tb IIIC Db
 8265/5: Ⓜ II 2 D Ex tb IIIC T80°C, T95°C Db

Ex d Enclosures made of Light Metal, Flameproof Encapsulation Series 8265

GUBOX



Selection Table

Version	Total dimensions LxWxH [mm]	Description	Order number	Weight
				kg
Size 1	125 x 125 x 132	empty enclosure without window	8265/01-0000	2.750
	125 x 125 x 132	empty enclosure with window	8265/01-0010	2.770
Size 2	155 x 155 x 132	empty enclosure without window	8265/02-0000	3.850
	155 x 155 x 132	empty enclosure with window	8265/02-0010	4.100
Size 3	195 x 195 x 172	empty enclosure without window	8265/03-0000	6.580
	195 x 195 x 172	empty enclosure with window	8265/03-0010	6.630
Size 4	236 x 236 x 227	empty enclosure without window	8265/04-0000	10.640
	236 x 236 x 227	empty enclosure with window	8265/04-0010	11.130
Size 5	285 x 285 x 230	empty enclosure without window	8265/05-0000	18.300
	285 x 285 x 230	empty enclosure with window	8265/05-0010	18.750
Size 6	335 x 335 x 281	empty enclosure without window	8265/06-0000	27.800
	335 x 335 x 281	empty enclosure with window	8265/06-0010	28.800

Typical Combinations of Ex d Enclosures 8265 with Connection Chambers 8146 or 8150

Ex d enclosures	Connection chambers in moulded plastic		Connection chambers in sheet steel or stainless steel	
	connection chamber	via spacer	connection chamber	via spacer
8265/01-... Size 1	8146/.031	Size 0	8150/-.0116-0116-091	Size 0
	8146/.041	Size 0	8150/-.0176-0116-091	Size 0
8265/02-... Size 2	8146/.031	Size 0	8150/-.0116-0116-091	Size 0
	8146/.041	Size 0	8150/-.0176-0116-091	Size 0
8265/03-... Size 3	8146/.041	Size 1	8150/-.0176-0116-091	Size 1
	8146/.051	Size 1	8150/-.0176-0176-091	Size 1
	8146/.061	Size 1	8150/-.0236-0176-091	Size 1
	8146/.071	Size 1	8150/-.0360-0176-091	Size 1
8265/04-... Size 4	8146/.073	Size 3	8150/-.0360-0176-150	Size 3
	8146/.075	Size 3	8150/-.0360-0176-190	Size 3
	8146/.075	Size 4	8150/-.0360-0176-190	Size 4
	8146/.083	Size 3	8150/-.0360-0360-150	Size 3
	8146/.086	Size 3	8150/-.0360-0360-230	Size 3
8265/05-... Size 5	8146/.073	Size 3	8150/-.0360-0176-150	Size 3
	8146/.075	Size 3	8150/-.0360-0176-190	Size 3
	8146/.075	Size 4	8150/-.0360-0176-190	Size 4
	8146/.083	Size 3	8150/-.0360-0360-150	Size 3
	8146/.085	Size 3	8150/-.0360-0360-230	Size 3
8265/06-... Size 6	8146/.083	Size 2	8150/-.0360-0360-150	Size 2
	8146/.085	Size 2	8150/-.0360-0360-190	Size 2
	8146/.085	Size 4	8150/-.0360-0360-190	Size 4
	8146/.095	Size 2	8150/-.0727-0360-190	Size 2
	8146/.095	Size 4	8150/-.0727-0360-190	Size 4

E9

Ex d Enclosures made of Light Metal, Flameproof Encapsulation

Series 8265



Technical Data

Electrical data

Rated operational voltage U_e	Standard: 1000 V Special: 10 kV – depending on the cable entries or bushings used or depending on the corresponding built-in equipment.
Rated operational current I_e	Enclosure Current Size 1 max. 160 A Size 2 Size 3 Size 4 Size 5 max. 250 A Size 6

Refer to the rating and data plates of the devices!

Power dissipation and temperature class	Enclosure	Ambient temperature range			
		Temperature class T6		Temperature class T5	
		max. +60 °C	max. +40 °C	max. +60 °C	max. +40 °C
	Size 1 not painted	13 W	27 W	22 W	38 W
	Size 1 painted	16 W	35 W	28 W	49 W
	Size 2 not painted	18 W	40 W	35 W	58 W
	Size 2 painted	23 W	52 W	45 W	75 W
	Size 3 not painted	23 W	58 W	52 W	85 W
	Size 3 painted	26 W	75 W	67 W	110 W
	Size 4 not painted	38 W	85 W	72 W	130 W
	Size 4 painted	49 W	110 W	93 W	169 W
	Size 5 not painted	49 W	117 W	96 W	190 W
	Size 5 painted	63 W	152 W	124 W	247 W
	Size 6 not painted	58 W	138 W	115 W	205 W
	Size 6 painted	75 W	179 W	149 W	266 W

Mechanical data

Degree of protection	IP54 without O-ring -60 °C ... IP66 with O-ring silicone -60 °C ... (blue)
Enclosure	Aluminium, copper-free (seawater-resistant) AL Si7Mg03 according to EN 13195. Upon direct contact with seawater, a coating is recommended.

Max. number of holes	Maximum number of metrical bores for each enclosure side									
	Enclosure	M20 x 1.5	M25 x 1.5	M32 x 1.5	M40 x 1.5	M50 x 1.5	M63 x 1.5	M75 x 1.5	M90 x 1.5	M105 x 1.5
	Size 1	3	1	1	1	–	–	–	–	–
	Size 2	3	2	2	1	–	–	–	–	–
	Size 3	8	4	3	2	1	1	1	–	–
	Size 4	16	9	6	4	3	1	1	–	–
	Size 5	18	9	8	5	3	2	1	1	–
	Size 6	28	16	12	8	5	3	2	1	1

Max. number of conduit holes	Maximum number of conduit bores for each enclosure side								
	Enclosure	1/2"	3/4"	1"	1 1/4"	1 1/2"	2"	2 1/2"	3"
	Size 1	2	1	1	1	–	–	–	–
	Size 2	2	2	1	1	–	–	–	–
	Size 3	5	3	2	2	1	1	–	–
	Size 4	10	6	5	4	3	2	–	–
	Size 5	12	9	6	5	3	2	1	1
	Size 6	18	12	8	6	6	3	2	1

Ex d Enclosures made of Light Metal, Flameproof Encapsulation Series 8265

GUBOX



Explosion Protection

Version	Ex e enclosure 8146
Global (IECEX)	
Gas and dust	IECEX PTB 06.0090 Ex d e ia/ib [ia Ga] mb q IIA, IIB, IIC, T6, T5, T4 Gb Ex tb IIIA, IIB, IIC, T80 °C, T95 °C, T130 °C Db
Europe (ATEX)	
Gas and dust	PTB 01 ATEX 1024 ⊕ II 2 G Ex de ia ib [ia Ga] mb q IIA, IIB, IIC T6, T5, T4 Gb ⊕ II 2 D Ex tb IIIA, IIB, IIC T80 °C, T95 °C, T130 °C Db IP66

Technical Data

Version	Ex e enclosure 8146
Electrical data	
Rated voltage	max. 1100 V (dependent on equipment installed)
Rated operational current I_e	max. 630 A
Mechanical data	
Degree of protection	IP 66 (dependent on equipment installed)
Material	
Enclosure	Polyester resin, glass fibre-reinforced, dark grey, similar to RAL 7024, impact strenght ≥ 7 J, surface resistance $\leq 10^9$ Ohm, material flame resistant, self-extinguishing
Seal	silicone, foam

Explosion Protection

Version	Ex e enclosure 8150/5-E
Global (IECEX)	
Gas and dust	IECEX PTB 09.0049 Ex db eb ia (ia Ga) ib (ib) ma mb op pr op is qb IIA, IIB, IIC T6 ... T3 Gb Ex tb IIIC IP66 T80°C ... T130°C Db
Europe (ATEX)	
Gas and dust	PTB 09 ATEX 1109 ⊕ II 2 G Ex db eb ia (ia Ga) ib (ib) ma mb op pr op is qb IIA, IIB, IIC T6 ... T3 Gb ⊕ II 2 D Ex tb IIIC IP66 T80°C ... T130°C Db

Technical Data

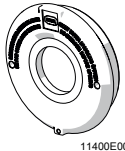
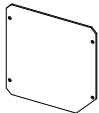
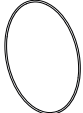

Version	Ex e enclosure 8150/5-E
Electrical data	
Rated voltage	max. 1100 V (dependent on equipment installed)
Rated operational current I_e	max. 630 A
Mechanical data	
Degree of protection	IP 66 (dependent on equipment installed)
Material	
Enclosure	dependent on version selected: sheet steel, glavanized; painted light grey, RAL 7035 or stainless steel without paint (paint finish can be ordered)
Seal	silicone, foam

E9

Ex d Enclosures made of Light Metal, Flameproof Encapsulation Series 8265



Accessories and Spare Parts

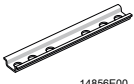
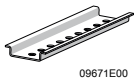
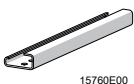

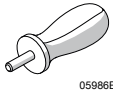
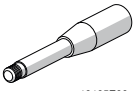
Designation	Figure		Art. no.	Weight kg
Cover with inspection window	 11400E00	for enclosure: Size 1 Visible part of window \varnothing 62 mm	211037	0.890
		for enclosure: Size 2 Visible part of window \varnothing 100 mm	209698	1.567
		for enclosure: Size 3 Visible part of window \varnothing 138 mm	143452	2.232
		for enclosure: Size 4 Visible part of window \varnothing 188 mm	143453	3.856
		for enclosure: size 5 Visible part of window \varnothing 188 mm	211041	5.303
		for enclosure: Size 6 Visible part of window \varnothing 188 mm	201886	9.220
Mounting plate	 11401E00	for enclosure size 1	208862	0.120
		for enclosure size 2	143484	0.189
		for enclosure size 3	143485	0.364
		for enclosure size 4	143486	0.744
		for enclosure size 5	143487	1.070
		for enclosure size 6	143488	1.700
O-ring	 11402E00	silicone, for enclosure size 1	211270	0.006
		silicone, for enclosure size 2	221717	0.008
		silicone, for enclosure size 3	221718	0.010
		silicone, for enclosure size 4	221719	0.012
		silicone, for enclosure size 5	211271	0.020
		silicone, for enclosure size 6	221720	0.026
Drain and breather valve	 15776E00	with thread $\frac{3}{8}$ "	107998	0.026
		with thread $\frac{1}{2}$ "	107999	0.090

Ex d Enclosures made of Light Metal, Flameproof Encapsulation Series 8265

GUBOX



Accessories and Spare Parts

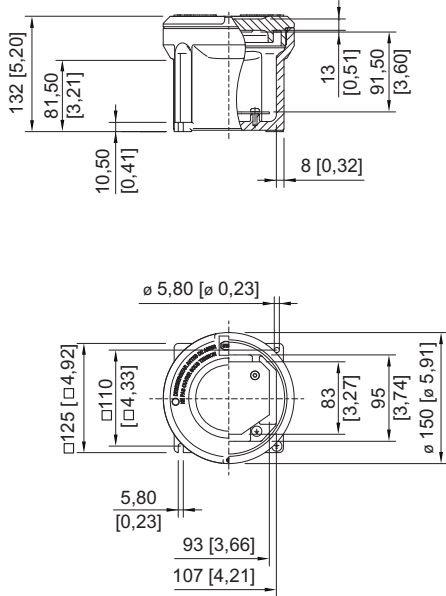
Designation	Figure	Art. no.	Weight kg		
Mounting rail	 14856E00	TS15 L 80 mm for enclosure size 1	212425	0.013	
		TS15 L 90 mm, diagonal for enclosure size 1	212338	0.010	
		TS15 L 105 mm for enclosure size 2	143497	0.018	
		TS15 L 133 mm for enclosure size 3	137902	0.020	
		TS15 L 189 mm for enclosure size 4	137908	0.029	
		TS15 L 218 mm for enclosure size 5	212427	0.030	
		TS15 L 280 mm for enclosure size 6	166448	0.049	
	 09671E00	TS35 L 80 mm for enclosure size 1	212424	0.027	
		TS35 L 90 mm, diagonal for enclosure size 1	212339	0.025	
		TS35 L 105 mm for enclosure size 2	143498	0.037	
		TS35 L 133 mm for enclosure size 3	137970	0.040	
		TS35 L 189 mm for enclosure size 4	137976	0.060	
		TS35 L 218 mm for enclosure size 5	212426	0.033	
		TS35 L 280 mm for enclosure size 6	166449	0.100	
	 15760E00	G32 L 133 mm for enclosure size 3	137939	0.020	
		G32 L 189 mm for enclosure size 4	137945	0.130	
		G32 L 218 mm for enclosure size 5	212428	0.135	
		G32 L 280 mm for enclosure size 6	166450	0.200	
	Grub screw	 05984E00	M5x16-A2 with allen screw and point	110216	0.001
	Wrench (plug-in)	 05988E00	For opening a size 1, 2, 3, 4 enclosure cover 2 box spanners are required	142059	0.060
Wrench (screw-in)	 13135E00	to open the enclosure cover for size 5, 6 2 socket wrenches are required	221927	0.214	

E9

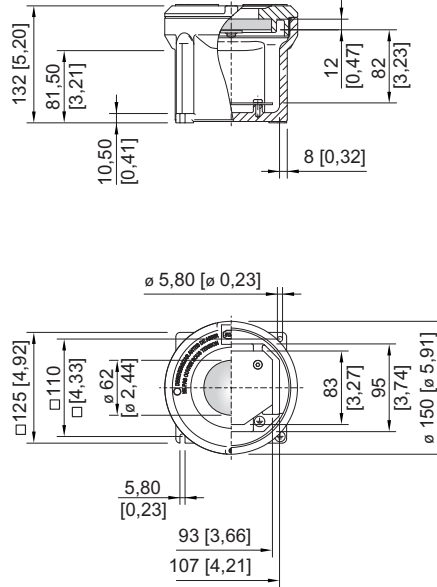
Ex d Enclosures made of Light Metal, Flameproof Encapsulation Series 8265



Dimensional drawings (all dimensions in mm [inches]) – Subject to modification



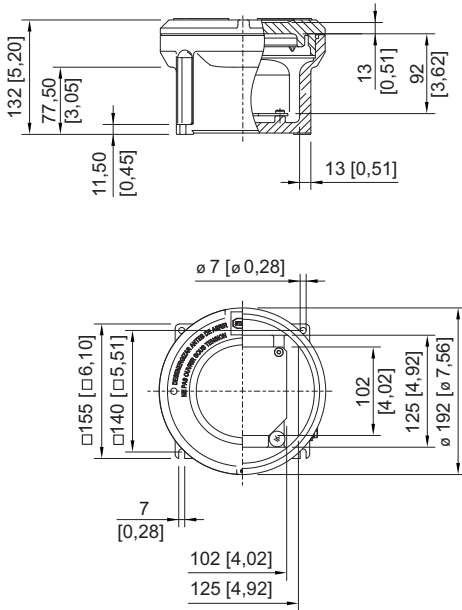
11396E00



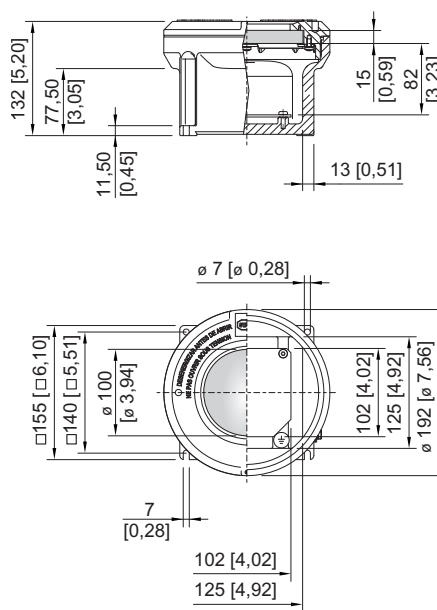
11397E00

Enclosure size 1
8265/.1-000,
without inspection window

Enclosure size 1
8265/.1-001,
with inspection window



05575E00



05578E00

Enclosure size 2
8265/.2-000,
without inspection window

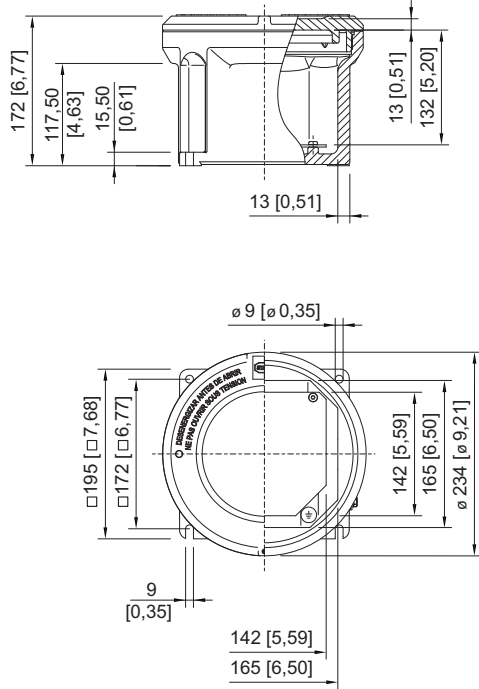
Enclosure size 2
8265/.2-001,
with inspection window

Ex d Enclosures made of Light Metal, Flameproof Encapsulation Series 8265

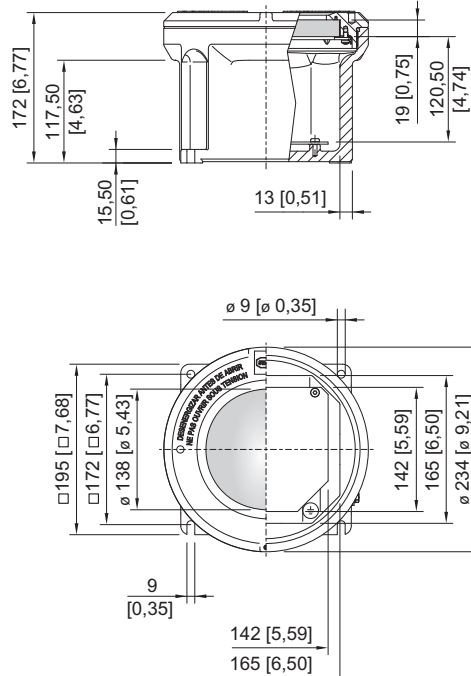
GUBOX



Dimensional drawings (all dimensions in mm [inches]) – Subject to modification



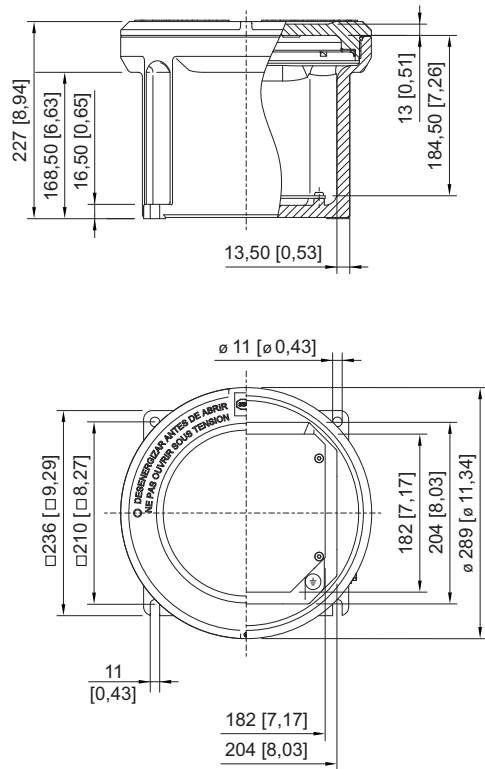
05580E00



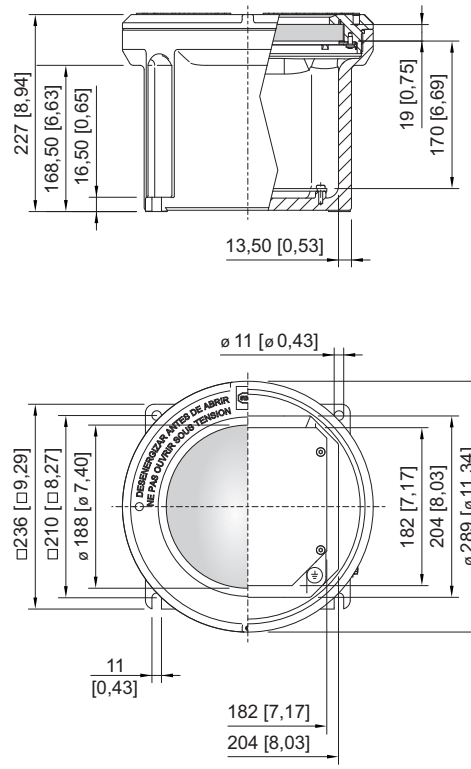
05581E00

**Enclosure size 3
8265/3-000,
without inspection window**

**Enclosure size 3
8265/3-001,
with inspection window**



05584E00



05588E00

**Enclosure size 4
8265/4-000,
without inspection window**

**Enclosure size 4
8265/4-001,
with inspection window**

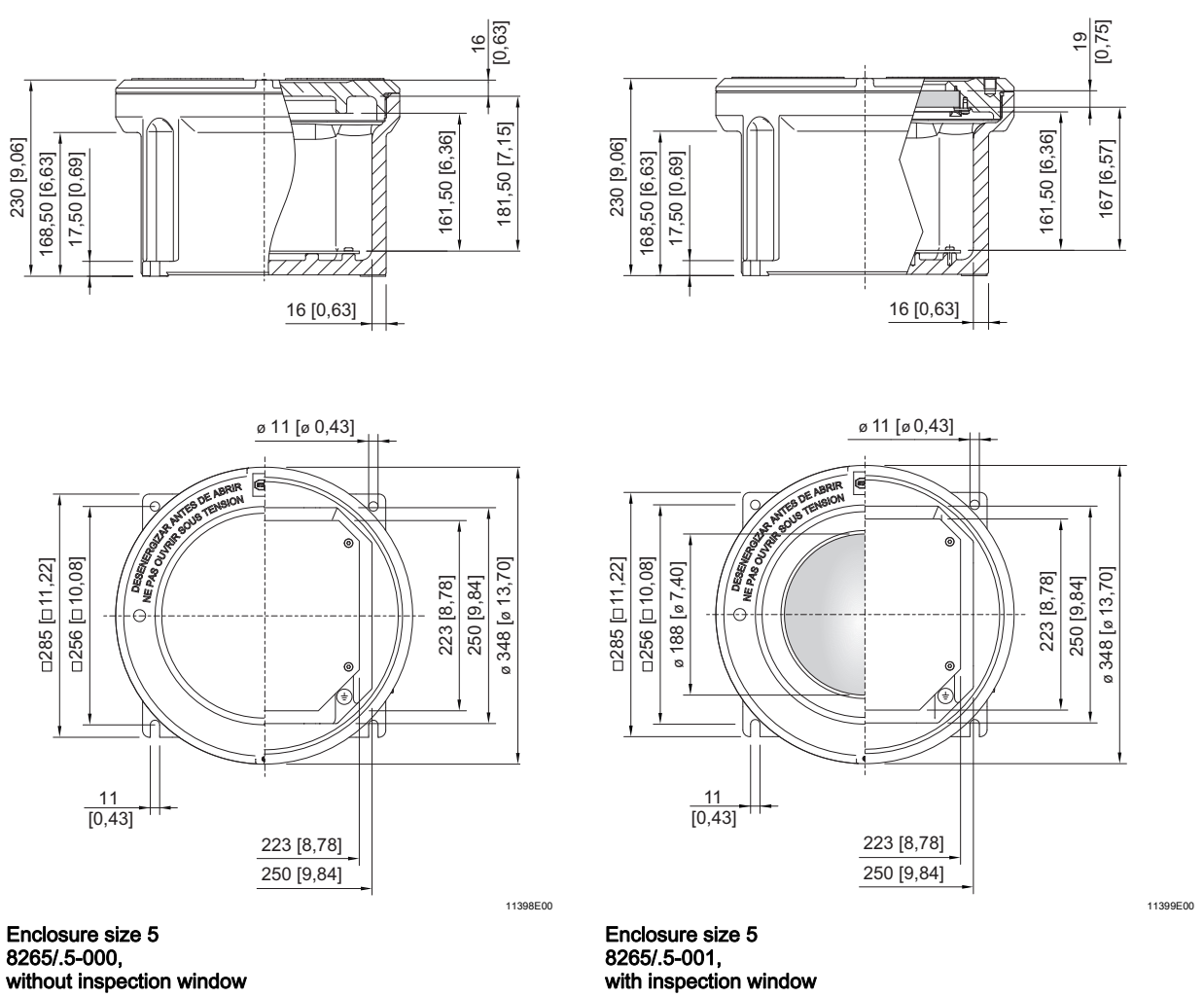
E9

Ex d Enclosures made of Light Metal, Flameproof Encapsulation

Series 8265



Dimensional drawings (all dimensions in mm [inches]) – Subject to modification

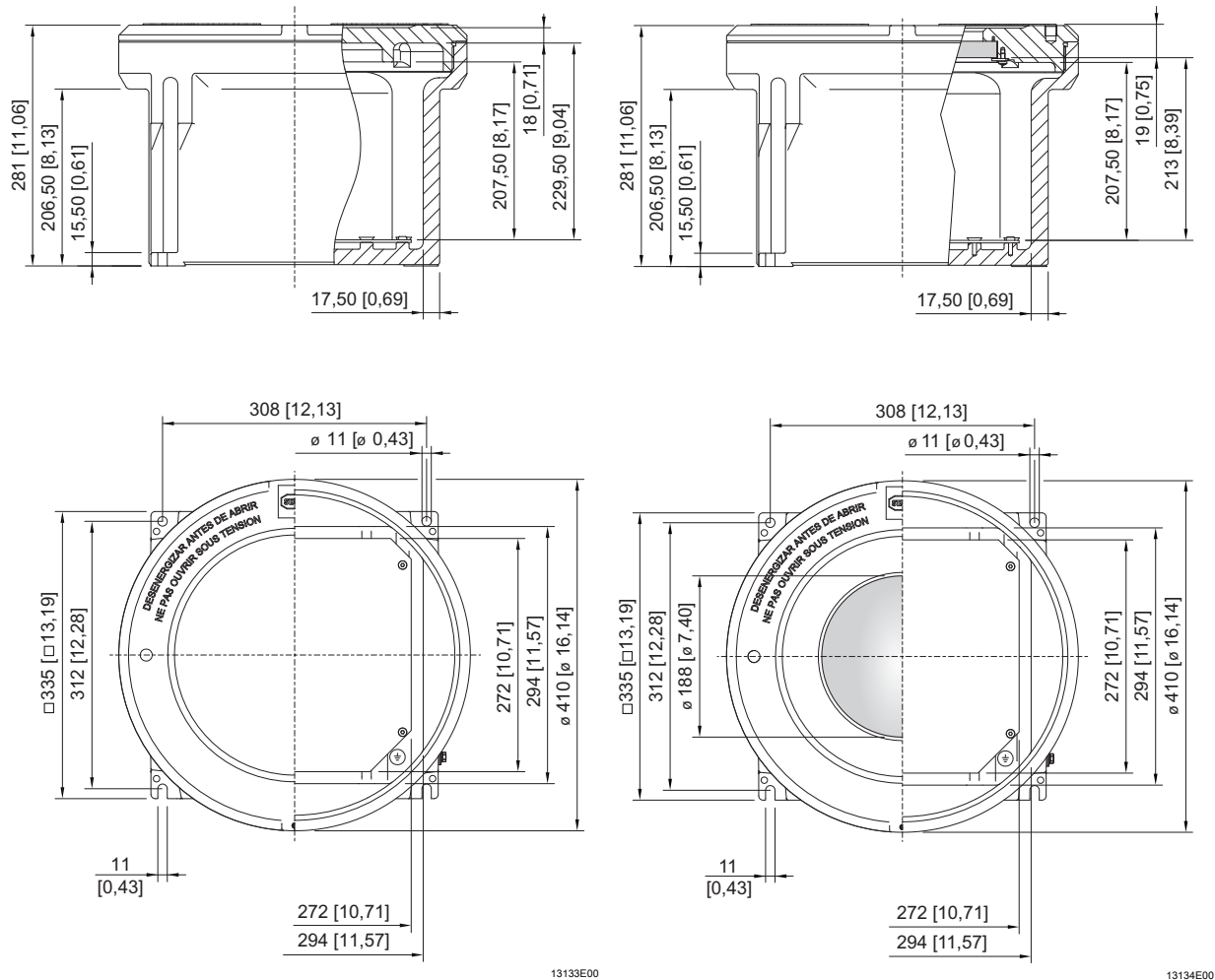


Ex d Enclosures made of Light Metal, Flameproof Encapsulation Series 8265

GUBOX

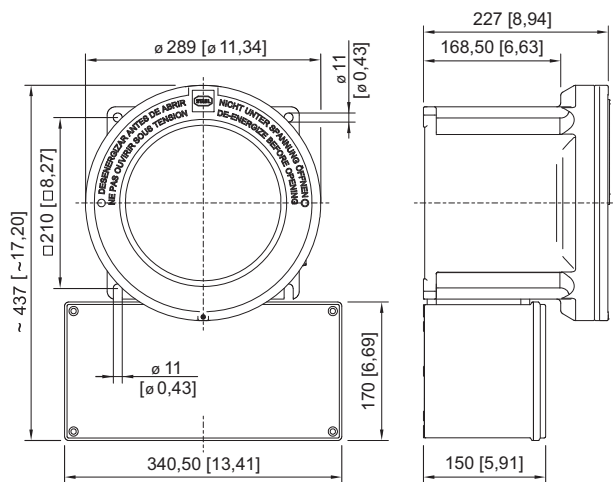


Dimensional drawings (all dimensions in mm [inches]) – Subject to modification



**Enclosure size 6
8265/6-000,
without inspection window**

**Enclosure size 6
8265/6-001,
with inspection window**



**Enclosure size 4
8265/4-000,
with connection chamber 8146/S7.**

We reserve the right to make alterations to the technical data, dimensions, weights, designs and products available without notice. The illustrations cannot be considered binding.

E9