



- High availability: Reliable motor contactors: 4 kW/400 V
- 3 main contacts, up to 4 auxiliary contacts
- Robust: Anti-vibration components in the corrosion-resistant enclosure

E9

WebCode **8510B**



R. STAHL Series 8510/122 contactors are robust, type-tested standard components for switching motors in accordance with AC3. They have 3 main contacts which can be supplemented by a maximum of 4 auxiliary contacts. Easily accessible terminals make installation simple and safe. The enclosure for the anti-vibration screw connection is made of corrosion-resistant material.

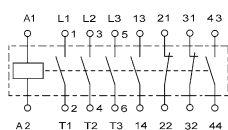
	IECEX / ATEX					
Zone	0	1	2	20	21	22
Installation in		•	•			

Selection Table						
Product Description Switching capacity		Contactor 4 kW/400 V AC3				
Rated actuating voltage	Main contacts	Auxiliary contacts	Product Type	Art. No.	Weight kg	
24 to 60 V AC/DC	3-pole (3 NO)	4 (2 NO + 2 NC)	8510/122-03-136-710	268656	1.620	
100 to 250 V AC/DC	3-pole (3 NO)	4 (2 NO + 2 NC)	8510/122-03-136-730	268657	1.620	
Product Description Switching capacity		Contactor 20 A AC1				
Rated actuating voltage	Main contacts	Auxiliary contacts	Product Type	Art. No.	Weight kg	
24 to 60 V AC/DC	4-pole (2 NOs + 2 NCs)	2 (1 NO + 1 NC)	8510/122-03-755-710	270355	1.620	
24 to 60 V AC/DC	4-pole (4 NO)	2 (1 NO + 1 NC)	8510/122-03-745-710	270353	1.850	
100 to 250 V AC/DC	4-pole (2 NOs + 2 NCs)	2 (1 NO + 1 NC)	8510/122-03-755-730	270356	1.620	
100 to 250 V AC/DC	4-pole (4 NO)	2 (1 NO + 1 NC)	8510/122-03-745-730	270354	1.620	
Product Description Switching capacity		Contactor 40 A AC1				
Rated actuating voltage	Main contacts	Auxiliary contacts	Product Type	Art. No.	Weight kg	
24 to 60 V AC/DC	4-pole (2 NOs + 2 NCs)	2 (1 NO + 1 NC)	8510/132-03-555-710	270345	1.620	
24 to 60 V AC/DC	4-pole (4 NO)	2 (1 NO + 1 NC)	8510/132-03-545-710	270343	1.620	
100 to 250 V AC/DC	4-pole (2 NOs + 2 NCs)	2 (1 NO + 1 NC)	8510/132-03-555-730	270346	1.620	
100 to 250 V AC/DC	4-pole (4 NO)	2 (1 NO + 1 NC)	8510/132-03-545-730	270344	1.620	

Technical Data

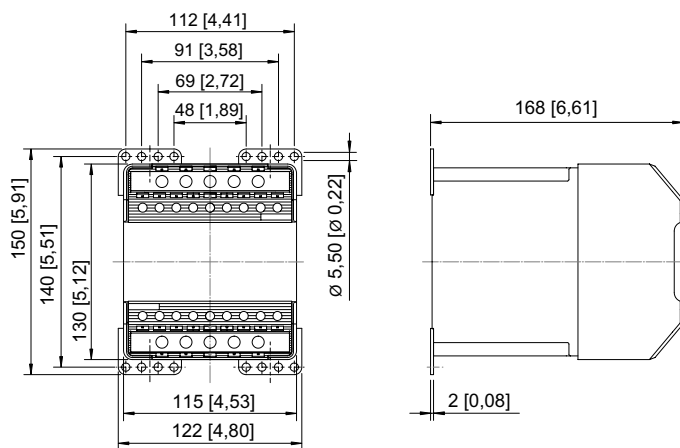
Variant	4 kW/400 V AC3	20 A AC1	40 A AC1
Explosion Protection			
IECEX gas explosion protection	Ex de IIC	Ex de IIC	Ex de IIC
IECEX firedamp protection	Ex de I	Ex de I	Ex de I
ATEX gas explosion protection	⊕ II 2 G Ex de IIC	⊕ II 2 G Ex de IIC	⊕ II 2 G Ex de IIC
ATEX firedamp protection	⊕ I M2 Ex de I	⊕ I M2 Ex de I	⊕ I M2 Ex de I
Certificates	ATEX (BVS), Brazil (ULB), China (CQST), IECEX (BVS)	ATEX (BVS), Brazil (ULB), Canada (FM), China (CQST), IECEx (BVS), USA (FM)	ATEX (BVS), Brazil (ULB), China (CQST), IECEX (BVS)
Electrical Data			
Conventional thermal current	25 A	20 A	40 A
Ambient Conditions			
Ambient temperature	-20 °C ... +60 °C	-20 °C ... +60 °C	-20 °C ... +60 °C
Mechanical Data			
Degree of protection (IP)	IP20	IP20	IP20
Enclosure material	Epoxy resin	Epoxy resin	Epoxy resin
Max. solid connection terminals	10 mm ²	10 mm ²	10 mm ²
Max. finely stranded connection terminals	6 mm ²	6 mm ²	6 mm ²
Max. auxiliary contact connection cross-section, solid	2.5 mm ²	2.5 mm ²	2.5 mm ²
Max. auxiliary contact connection cross section, finely stranded	1.5 mm ²	1.5 mm ²	1.5 mm ²

Technical Drawings – Subject to Alterations

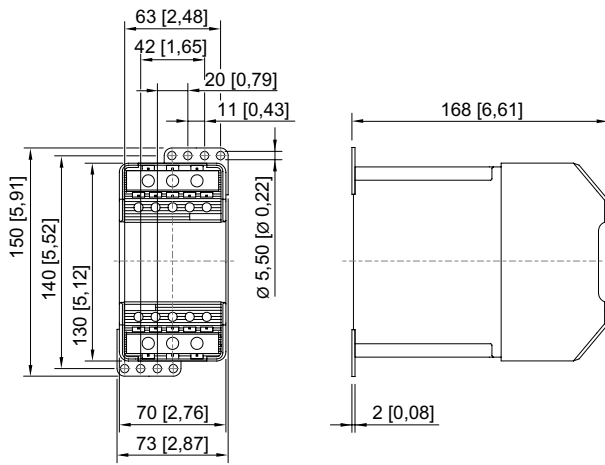


Contact arrangements

Dimensional Drawings (All Dimensions in mm [inches]) – Subject to Alterations



8510/132



8510/122