



- Easy to maintain due to use of standard NEOZED fuses
- Practical: Defective fuses are easy to see from the outside
- For rated operational voltages up to 400 V and rated operational currents up to 25 A

E9

WebCode **8561A**

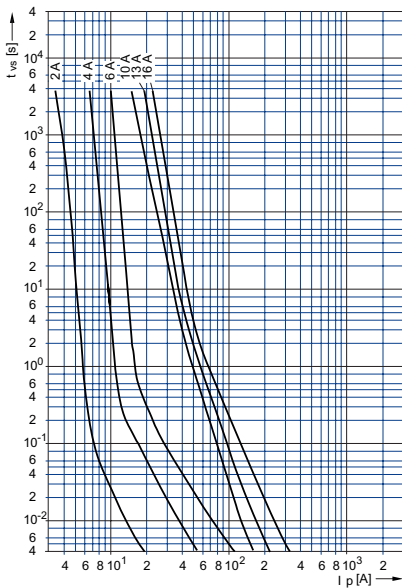


R. STAHL Series 8561/01 fuse elements primarily protect the consumer outputs in Ex e distribution fuse boards. Since they are equipped with standard NEOZED system fuses, they are extremely easy to maintain and defective fuses are easy to see from the outside. They are designed for rated operational voltages up to 400 V and rated operational currents up to 25 A.

	IECEX / ATEX					
Zone	0	1	2	20	21	22
Installation in		•	•			

Selection Table				
Product Description	Fuse element		Art. No.	Weight kg
Fuse insert type	Product Type			
D01	8561/01-01-...		149244	0.800
D02	8561/01-02-...		149239	0.800

Technical Data	
Explosion Protection	
IECEX gas explosion protection	Ex de IIC
ATEX gas explosion protection	⊕ II 2 G Ex de IIC
Certificates	ATEX (PTB), Brazil (ULB), IECEX (PTB)
Electrical Data	
Rated operational voltage AC	400 V
Rated operational current	16 A
Ambient Conditions	
Ambient temperature	-20 °C ... +40 °C
Mechanical Data	
Enclosure material	Epoxy resin



Current/time characteristic for fuses (tolerance max. ± 10 %)

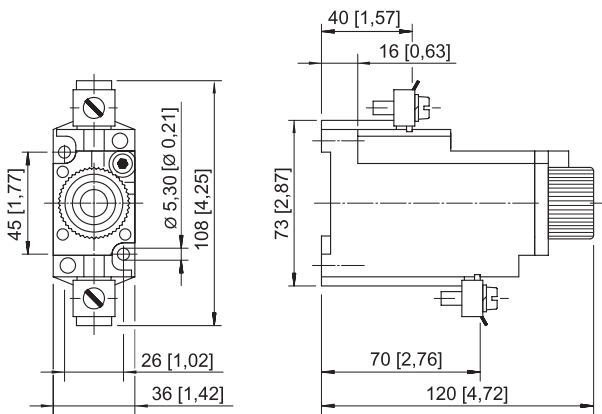
Spare Parts

Figure	Description	Art. No.	Weight kg
Adaptor screw			
	8561/01-01 10 A	111629	0.001
	8561/01-01 2 A	111633	0.001
	8561/01-01 4 A	111634	0.001
	8561/01-01 6 A	111628	0.001
	8561/01-02 20 A	111630	0.001
	8561/01-02 25 A	111635	0.001
Adaptor screw fitter			
	for replacement of adaptor Neozed	149226	0.020
Cover for terminal connections			
	IP10 cover	149225	0.008

Spare Parts

Figure	Description	Art. No.	Weight kg
Fuse link			
	8561/01-01 16 A	111398	0.007
	8561/01-01 10 A	111399	0.006
	8561/01-01 2 A	111402	0.001
	8561/01-01 4 A	111401	0.006
	8561/01-01 6 A	111400	0.006
	8561/01-02 20 A	111397	0.012
	8561/01-02 25 A	111466	0.001

Dimensional Drawings (All Dimensions in mm [inches]) – Subject to Alterations



8561/01 Fuse element