



- Easy to maintain because standard DIAZED fuse links are used
- Practical: Defect fuse links can be seen from the outside
- For rated operational voltages up to 500 V and rated operational currents up to 63 A

E9

MY R. STAHL 8561B

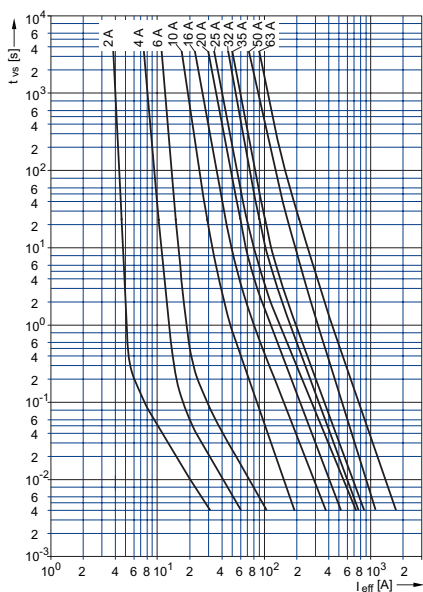


R. STAHL Series 8561/02 fuse elements primarily protect the consumer outputs in Ex e power distribution boards or offer back-up protection for the system. Since they are equipped with standard DIAZED system fuse links, they are extremely easy to maintain and defective fuse links can be seen from the outside. They are designed for rated operational voltages up to 500 V and rated operational currents up to 63 A.

	IECEX / ATEX					
Zone	0	1	2	20	21	22
Installation in		•	•			

Selection Table				
Product Description	Fuse element			
Fuse insert type		Product Type	Art. No.	Weight
D II		8561/02-11	149234	785 g
D III		8561/02-12	149223	748 g

Technical Data	
Explosion Protection	
IECEX gas explosion protection	Ex de IIC
ATEX gas explosion protection	⊕ II 2 G Ex de IIC
Certificates	ATEX (PTB), Brazil (ULB), IECEX (PTB)
Electrical Data	
Rated operational voltage AC	500 V
Rated operational current	25 A
Ambient Conditions	
Ambient temperature	-20 °C ... +40 °C
Mechanical Data	
Enclosure material	Epoxy resin

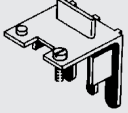
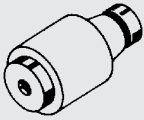


Time/current characteristic of the fuse links
(tolerance range max. ± 10%)

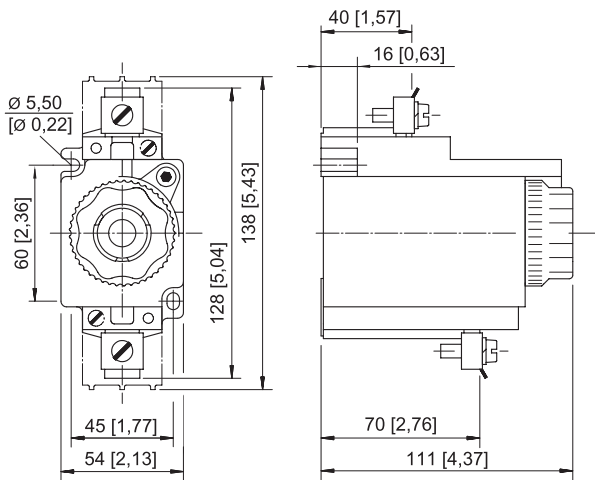
Spare Parts

Figure	Description	Art. No.	Weight
Adaptor			
	8561/02-11 10 A	111653	12 g
	8561/02-11 16 A	111654	12 g
	8561/02-11 20 A	111655	12 g
	8561/02-11 25 A	111656	11 g
	8561/02-11 2 A	111650	12 g
	8561/02-11 4 A	111651	12 g
	8561/02-11 6 A	111652	12 g
	8561/02-12 35 A	111657	19 g
	8561/02-12 50 A	111658	49 g
	8561/02-12 63 A	111659	17 g
	Adaptor key for replacing the DIAZED adaptor	111660	18 g

Spare Parts

Figure	Description	Art. No.	Weight
Cover for terminal connections			
	IP10 cover	149225	8 g
Fuse link			
	8561/02-11 10 A	111273	27 g
	8561/02-11 2 A	111270	24 g
	8561/02-11 4 A	111271	24 g
	8561/02-11 6 A	111272	24 g
	8561/02-12 63 A	111269	51 g
	8561/02-12 35 A	111267	47 g
	8561/02-12 50 A	111268	49 g
	8561/02-11 16 A	111274	29 g
	8561/02-11 20 A	111275	28 g
	8561/02-11 25 A	111276	29 g

Dimensional Drawings (All Dimensions in mm [inches]) – Subject to Alterations



8561/02 fuse element