



- Easy to maintain due to use of standard DIAZED fuses
- Practical: Defective fuses easy to see from the outside
- For rated operational voltages up to 500 V and rated operational currents up to 63 A

E9

WebCode 8561B

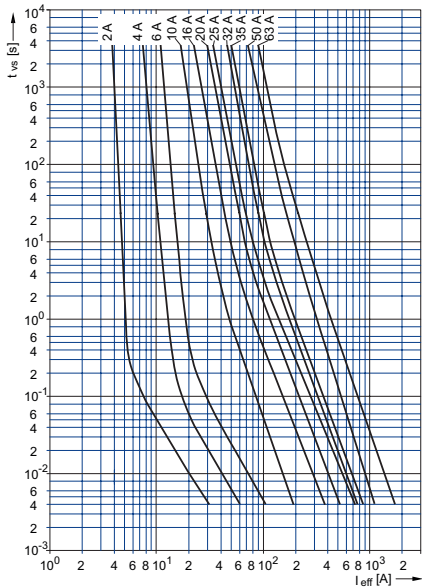


R. STAHL Series 8561/02 fuse elements primarily protect the consumer outputs in Ex e distribution fuse boards or offer back-up protection for the system. Since they are equipped with standard DIAZED system fuses, they are extremely easy to maintain and defective fuses are easy to see from the outside. They are designed for rated operational voltages up to 500 V and rated operational currents up to 63 A.

	IECEX / ATEX					
Zone	0	1	2	20	21	22
Installation in		•	•			

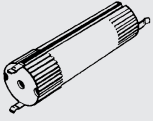

Selection Table				
Product Description	Fuse element			
Fuse insert type	Product Type	Art. No.	Weight kg	
D II	8561/02-11	149234	0.785	
D III	8561/02-12	149223	0.748	

Technical Data	
Explosion Protection	
IECEX gas explosion protection	Ex de IIC
ATEX gas explosion protection	⊕ II 2 G Ex de IIC
Certificates	ATEX (PTB), Brazil (ULB), IECEX (PTB)
Electrical Data	
Rated operational voltage AC	500 V
Rated operational current	25 A
Ambient Conditions	
Ambient temperature	-20 °C ... +40 °C
Mechanical Data	
Enclosure material	Epoxy resin

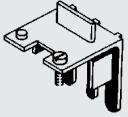
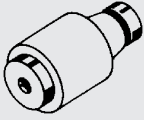


Current/time characteristic for fuses (tolerance max. ± 10 %)

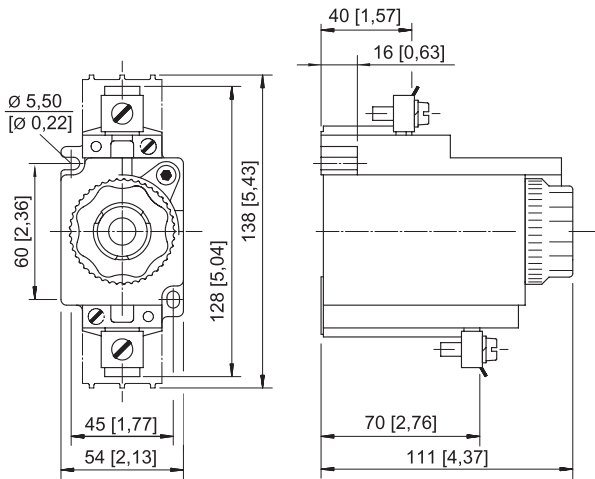
Spare Parts

Figure	Description	Art. No.	Weight kg
Adapter key			
	for replacement of adapter DIAZED	111660	0.018
Adapter screw			
	8561/02-11 10 A	111653	0.012
	8561/02-11 16 A	111654	0.012
	8561/02-11 20 A	111655	0.012
	8561/02-11 25 A	111656	0.011
	8561/02-11 2 A	111650	0.012
	8561/02-11 4 A	111651	0.012
	8561/02-11 6 A	111652	0.012
	8561/02-12 35 A	111657	0.019
	8561/02-12 50 A	111658	0.049
	8561/02-12 63 A	111659	0.017

Spare Parts

Figure	Description	Art. No.	Weight kg
Cover for terminal connections			
	IP10 cover	149225	0.008
Fuse			
	8561/02-12 63 A	111269	0.051
	8561/02-12 35 A	111267	0.047
	8561/02-12 50 A	111268	0.049
	8561/02-11 10 A	111273	0.027
	8561/02-11 16 A	111274	0.029
	8561/02-11 2 A	111270	0.024
	8561/02-11 20 A	111275	0.028
	8561/02-11 25 A	111276	0.029
	8561/02-11 4 A	111271	0.024
	8561/02-11 6 A	111272	0.024

Dimensional Drawings (All Dimensions in mm [inches]) – Subject to Alterations



8561/02 Fuse element