



- For connecting 4 (FISCO, Entity) fieldbus devices in Zone 2
- Operation on a high-power trunk
- Reduced start-up current thanks to power management and short-circuit limiting with disconnection

A5

MY R. STAHL 9411E



Series 9411/24 Ex i field device couplers for Zone 2 with galvanic separation are used for interference-free connection of up to 4 intrinsically safe FF H1 or PROFIBUS PA field devices to the high-power trunk. The spurs with the ia type of protection can be used for fieldbus devices in Zones 1 and 2 and are protected by a short-circuit limiting function.

The integrated power management minimises start-up and short-circuit currents.

Available with screw or spring clamp terminals.

	IECEx / ATEX					
Zone	0	1	2	20	21	22
Ex interface	•	•	•	•	•	•
Installation in			•			

	NEC® 500 CE Code Appendix J					
	Class I		Class II		Class III	
Division	1	2	1	2	1	2
Ex interface	•	•	•	•	•	•
Installation in		•		•		•

	CE Code Section 18					
	NEC® 505			NEC® 506		
Zone	Class I			20	21	22
Ex interface	•	•	•	•	•	•
Installation in			•		•	

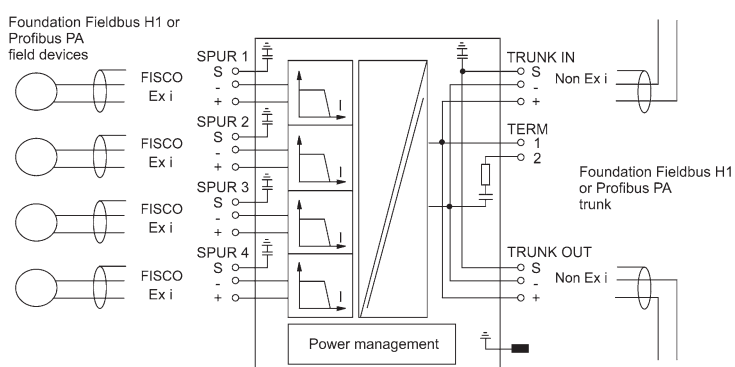
Selection Table					
Product Description		ISbus fieldbus technology Field device coupler, 4 spurs For Zone 2 Ex i			
Spurs connections	Spurs connection type	Product Type	Art. No.	Weight	
4	Detachable screw terminal	9411/24-330-31	206838	735 g	
	Detachable screw terminal	9411/24-340-31	264661	735 g	
	Screw terminals	9411/24-310-31	203616	735 g	

Field devices made of polyester or stainless steel: Customer-specific solutions on request.

Technical Data	
Explosion Protection	
IECEx gas explosion protection	Ex nA [ia Ga] IIC T4 Gc
IECEx dust explosion protection	[Ex ia Da] IIIC
ATEX gas explosion protection	Ⓜ II 3 (1) G Ex nA [ia Ga] IIC T4 Gc
ATEX dust explosion protection	Ⓜ II (1) D [Ex ia Da] IIIC
Certificates	ATEX (BVS), Brazil (ULB), Canada (FM), IECEx (BVS), India (PESO), International (FF), USA (FM)
Declaration of Conformity	ATEX (EUK)
Auxiliary Power	
Max. power dissipation	1.8 W
Notes	Auxiliary power not required; the field device coupler is supplied from the trunk

Technical Data	
Input	
Voltage range	16 – 32 V
Output	
Output voltage	Min. 10 V at 41 mA
Max. continuous output current DC	41 mA
Ambient Conditions	
Ambient temperature	-40°C ... +75°C
Mechanical Data	
Field enclosure	Without, DIN rail mounting

Technical Drawings – Subject to Alterations



Connection diagram 9411/2.

Accessories

Figure	Description	Art. No.	Weight
Earthing rail set for 4 spurs			
	9411 earthing rail with spring clamp clips	202774	128 g
	9411 earthing rail with screw terminals	161929	80 g
Fieldbus power supply			
	Fieldbus power supply and diagnostics	200586	135 g
Fieldbus wizard engineering tool			
	Engineering tool for project engineering for Foundation Fieldbus or PROFIBUS PA fieldbus segments Download from r-stahl.com	-	-

Dimensional Drawings (All Dimensions in mm [inches]) – Subject to Alterations

A5

