



- Reliable load disconnect switch with easily visible, lockable handle and display of the switching position
- An integrated auxiliary contact for control and signalling purposes, can be optionally enhanced using pluggable Ex e or Ex i auxiliary contacts that are easily retrofittable
- Large temperature range of use
- High mechanical impact and shock resistance
- Perfect protection against penetration of liquids and dusts
- 3D data for download on the website

E3

MY R. STAHL 8579F



The R. STAHL Series 8579/41 sockets for Class I, Div. 2, Groups A, B, C and D and Zone 1/21 in 4- and 5-pole versions have full AC-3 switching capacity up to 60 A. The high degree of protection (IP66) ensures maximum protection against the ingress of dust and water in any application situation. Self-cleaning lamellar contacts provide optimum contact and the plugs can be inserted and removed in the zero position quickly and easily. The load disconnect switch, with a mechanical locking device that can be locked in the ON (0) and OFF (1) position, is an additional safety feature.

	IECEX / ATEX					
	0	1	2	20	21	22
Zone						
Installation in	•	•		•	•	

	NEC® 500 CE Code Appendix J					
	Class I		Class II		Class III	
	1	2	1	2	1	2
Division						
Installation in	•	•	•	•	•	•

	CE Code Section 18					
	NEC® 505 Class I			NEC® 506		
Zone	0	1	2	20	21	22
Installation in	•	•				

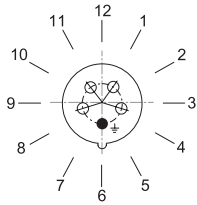
Selection Table								
Product description		60 A wall-mounting socket						
Auxiliary contacts		2 (1 NO + 1 NC)						
Figure	Detailed number of poles	Coding (clock hour position)	Rated operational voltage	Colour code	Frequency range	Product Type	Art. No.	Weight
	3-pole, 4 conductors	5	600 V AC	Black	50 / 60 Hz	8579/41-405	202087	7.8 kg
		7	480 V AC	Red	50 / 60 Hz	8579/41-407	202088	7.8 kg
		9	250 V AC	Blue	50 / 60 Hz	8579/41-409	202089	7.8 kg
	4-pole, 5 conductors	7	480Y/277 V AC	Red	50 / 60 Hz	8579/41-507	202085	7.8 kg
		9	208Y/120 V AC	Blue	50 / 60 Hz	8579/41-509	202086	7.8 kg

Technical Data	
Explosion Protection	
Area of application	European Union (ATEX) Canada IECEX USA
Area of application Note	Other country markings available on request
FMus certificate	0R6A2.AX
cFM certificate	3050350

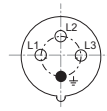
Technical Data	
Explosion Protection	
Marking FMus	Class I, Div. 2, Groups A,B,C,D; Class II, III, Div. 1, Groups E,F,G, Enclosure Type 3, 4, 4X Class I, Zone 1, AEx d e IIC T6 Gb;
Marking cFM	Class I, Zone 1, Ex d e IIC T6 Gb; Cl. I, Div. 2 per CEC J18-150, Class II, Div. 1, Groups G, Enclosure Type 3, 4, 4X
IECEX gas explosion protection	Ex db eb IIC T6 ... T5 Gb
IECEX dust explosion protection	Ex tb IIIC T60 °C / T75 °C Db
ATEX gas explosion protection	⊕ II 2 G Ex db eb IIC T6 ... T5 Gb
ATEX dust explosion protection	⊕ II 2 D Ex tb IIIC T60 °C / T75 °C Db
Certificates	ATEX (PTB), Brazil (ULB), Canada (FM), China (CQST), IECEX (PTB), Korea (KGS), USA (FM)
Electrical Data	
Rated operational current	max. 60 A
Switching capacity main contacts	3-phase 600 V AC, 60 hp 480 V AC, 40 hp 250 V AC, 20 hp
Device Specific Data	
Back-up fuse with thermal protection	80 A gG
Back-up fuse without thermal protection	63 A gG
Ambient Conditions	
Ambient temperature	-22 °F ... +104 °F (T6) -22 °F ... +131 °F (T5)
Ambient temperature	-30 °C ... +40 °C (T6) -30 °C ... +55 °C (T5)
Notes	For further information, see the operating instructions.
Mechanical Data	
Enclosure type (NEMA250)	3, 4, 4X
IP degree of protection (IEC 60529)	IP66
IP degree of protection (IEC 60079)	IP66
Enclosure material	Polyester, Glass fibre reinforced
Silicone-free	No
Multiple conductor connection AWG	2 x AWG 6
Multiple conductor connection	2 x 16 mm ²
Finely stranded connection cross-section AWG	1 x AWG 6 ... 1 x AWG 1/0
Finely stranded connection cross-section	1 x 16 mm ² ... 1 x 50 mm ²
Stranded connection cross-section AWG	1 x AWG 6 ... 1 x AWG 1/0
Stranded connection cross-section	1 x 16 mm ² ... 1 x 50 mm ²
Impact strength (IEC 60079)	7 J
Impact strength (IEC 62262)	IK10
Lockable in	in 0- and I-position
Components	
Cable entry note	Entry 1: Bottom left Entry 2: Bottom right
Entry 1 model	can be ordered as an accessory
Entry 1	NPT 1 1/2"
Metal entry possible 1	Yes
Entry 2 model	8290/3-M25
Entry 2 type	Polyamide stopping plug
Entry 2	M25 x 1.5
Metal entry possible 2	No
Notes	Cable gland position: Bottom (standard); optionally also on the top or side

Arrangement of earth contact sleeves

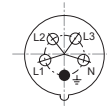
Position of clock hour position
Example: 6 h position



Arrangement of socket contacts and terminal markings



3 P + PE



3 P + N + PE

Arrangement of the socket contacts and terminal markings in the 6 h position
(view from the front side of the sockets to the socket contacts)

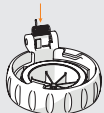
Accessories

Figure	Description	Art. No.	Weight
Auxiliary contact			
	2 NC (8080/1-3) 250 V AC/DC Max. 6 A 1.5 to 2.5 mm ² , solid/finely stranded The switching function of the auxiliary contact depends on the installation slot used. Left and right: Synchronising	168356	26 g
	1 NC + 1 NO (8080/1-1) 250 V AC/DC Max. 6 A 1.5 to 2.5 mm ² , solid/finely stranded The switching function of the auxiliary contact depends on the installation slot used. Left: Delayed (ON), leading (OFF) Right: Synchronising	168351	26 g
	2 NO (8080/1-4) 250 V AC/DC Max. 6 A 1.5 to 2.5 mm ² , solid/finely stranded The switching function of the auxiliary contact depends on the installation slot used. Left and right: Synchronising	168353	26 g
Plug			
	8579/22-407 4-pole plug, 480 V AC, 50/60 Hz, 60 A	153112	820 g
	8579/22-507 5-pole plug, 480Y/277 V AC, 50/60 Hz, 60 A	153085	880 g
	8579/22-405 4-pole plug, 600 V AC, 50/60 Hz, 60 A	153105	820 g
	8579/22-4095 4-pole plug, 250 V AC, 50/60 Hz, 60 A	153117	820 g
	8579/22-509 5-pole plug, 208Y/120 V AC, 50/60 Hz, 60 A	153089	880 g

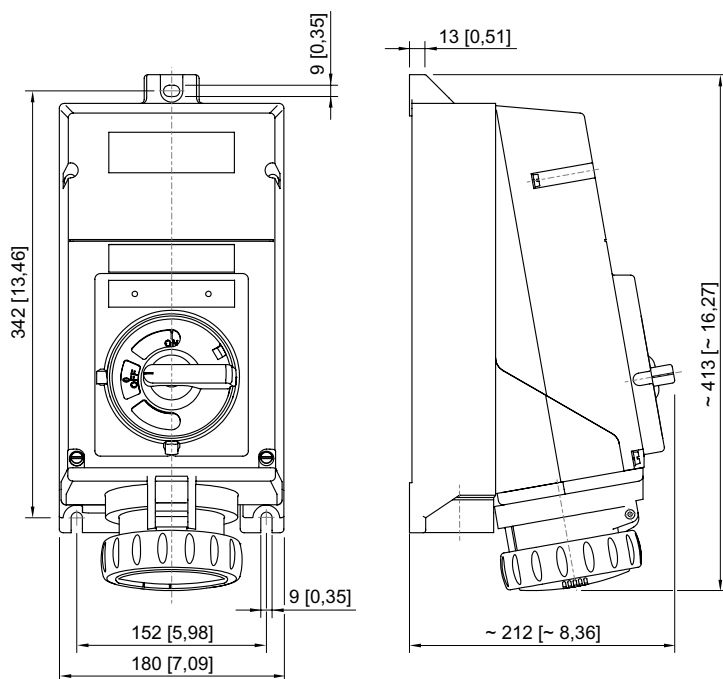
Spare Parts

Figure	Description	Art. No.	Weight
Auxiliary contact key			
	For removing installed auxiliary contacts	201909	35 g

Spare Parts

Figure	Description	Art. No.	Weight
Repair set for Series 8579 sockets			
	Repair set 8579 hinged cover, black	275509	185 g
	Repair set 8579 hinged cover, blue	275507	185 g
	Repair set 8579 hinged cover, red	275508	185 g

Dimensional Drawings (All Dimensions in mm [inches]) – Subject to Alterations



Wall-mounting socket