



- Wide selection of different actuators
- Versions as NC with positive opening, NO or disconnect terminal

E4

MY R. STAHL 8082A



R. STAHL Series 8082 contact elements have an NO contact and a positive opening NC contact, either made of silver-nickel or gold-plated. They can easily be combined to form contact blocks and enable customised installations, in part due to the wide selection of different actuators.

	IECEX / ATEX					
Zone	0	1	2	20	21	22
Installation in		•	•			

	NEC® 500 CE Code Appendix J					
	Class I		Class II		Class III	
Division	1	2	1	2	1	2
Installation in		•				

	CE Code Section 18 NEC® 505 NEC® 506					
	Class I					
Zone	0	1	2	20	21	22
Installation in		•				

Selection Table					
Contact material					
Gold-plated					
Figure	Number of NCs	Number of NOs		Art. No.	Weight
	1	-		132645	25 g
	-	1		132644	25 g
Silver-nickel					
Figure	Number of NCs	Number of NOs		Art. No.	Weight
	1	-		132636	25 g
	-	1		132640	30 g

All Series 8602 actuators can be equipped with up to two contact elements.
The actuators from Series 8602 assemblies ASSY 001, ASSY 002, ASSY 003, ASSY 005, ASSY 006, ASSY 009, ASSY 010, ASSY 012, ASSY 015 and ASSY 726 (two positions) can be equipped with up to three contact elements.
If the Series 8602 actuator assembly ASSY 023 (twin pushbutton) is installed in an 8146/5 or 8125/5 enclosure, up to four contact elements can be fitted.





Technical Data		
Variant	Silver-nickel	gold-plated
Explosion Protection		
IECEX gas explosion protection	Ex db eb IIC T6 Gb	Ex db eb IIC T6 Gb
IECEX firedamp protection	Ex db eb I Mb	Ex db eb I Mb
ATEX gas explosion protection	Ⓜ II 2 G Ex db eb IIC T6 Gb	Ⓜ II 2 G Ex db eb IIC T6 Gb
ATEX firedamp protection	Ⓜ I M2 Ex db eb I Mb	Ⓜ I M2 Ex db eb I Mb
Certificates	ATEX (PTB), Brazil (ULB), Canada / USA (UL), Canada (UL), China (CQST), IECEX (PTB), Korea (KTL), SIL (exida)	ATEX (PTB), Brazil (ULB), Canada / USA (UL), Canada (UL), China (CQST), IECEX (PTB), Korea (KTL), SIL (exida)

Technical Data		
Variant	Silver-nickel	gold-plated
Explosion Protection		
Notes	Product label may vary. Series devices are labelled with ATEX, IECEx, NEC and CE Code.	
Functional Safety		
SIL-capable	without actuators or with actuators 8602/3-006, 8602/3-009, 8602/3-010, 8602/3-012	without actuators or with actuators 8602/3-006, 8602/3-009, 8602/3-010, 8602/3-012
Electrical Data		
Max. rated operational voltage	550 V	550 V
Min. rated operational voltage	24 V	24 V
Electrical service life	10 ⁶ operating cycles	10 ⁶ operating cycles
Mechanical service life	10 ⁶ operating cycles	10 ⁶ operating cycles
Rated operational current	150 mA / 10 A	10 mA / 150 A
Switching capacity AC-12	250 V / 10 A	250 V / 10 A
	400 V / 7.5 A	400 V / 7.5 A
	550 V / 5 A	550 V / 5 A
Switching capacity AC-15	110 V / 10 A	110 V / 10 A
	250 V / 6 A	250 V / 6 A
	400 V / 4 A	400 V / 4 A
Switching capacity DC-13	60 V / 6 A	60 V / 6 A
Switching capacity DC-13<SoftReturn/>2 contact elements in series	230 V/1 A	230 V/1 A
	110 V/2.5 A	110 V/2.5 A
Ambient Conditions		
Ambient temperature	-60 °C ... +70 °C (T6)	-60 °C ... +70 °C (T6)
Operating temperature	-60 °C ... +100 °C	-60 °C ... +100 °C
Mechanical Data		
Degree of protection (IP) (IEC 60529)	IP20	IP20
Enclosure material	Polyamide	Polyamide
Silicone-free	Yes	Yes
Max. connection cross-section, finely stranded	2,5 mm ²	2,5 mm ²
Notes	The contact elements can be combined in different ways	
Mounting / Installation		
Tightening torque	1.2 Nm	1.2 Nm
Tightening torque lbf in	10.62 lbf in	10.62 lbf in
Connection type	Screw terminal	Screw terminal

Accessories			
Figure	Description	Art. No.	Weight
Pushbutton BG001			
	Ø 39 mm Black Designation plate: Black, blank disc without text Silicone-free: Yes	223691	34 g
	Ø 39 mm Black Designation plate: Black, blank disc without text Silicone-free: No	223692	34 g
Mushroom pushbutton, black BG003			
	Ø 39 mm Black Designation plate: Black, blank disc without text Silicone-free: Yes	244563	50 g
	Ø 39 mm Black Designation plate: Black, blank disc without text Silicone-free: No	244564	50 g


Accessories				
Figure	Description	Art. No.	Weight	
Mushroom pushbutton, red BG004				
	Ø 39 mm Red/black Designation plate: Red, blank disc without text Silicone-free: Yes	244565	50 g	
	Ø 39 mm Red/black Designation plate: Red, blank disc without text Silicone-free: No	244566	50 g	
Mushroom stay-put button with key BG006				
	Ø 39 mm Red/black Closing: MS1 Silicone-free: Yes	223695	75 g	
	Ø 39 mm Red/black Closing: MS1 Silicone-free: No	223696	75 g	
Key-operated switch actuator BG008				
	Ø 39 mm Black Closing: MS1 Number of switching positions: 2 Switching function: Latching / Latching Silicone-free: No	244574	50 g	
	Ø 39 mm Black Closing: MS1 Number of switching positions: 3 Switching function: Latching / Latching / Latching Silicone-free: No	244633	50 g	
Mushroom stay-put button with EM-STOP key BG009				
	Ø 39 mm Yellow/red Designation plate: With yellow backing plate Closing: MS1 Silicone-free: Yes	223693	75 g	
	Ø 39 mm Yellow/red Designation plate: With yellow backing plate Closing: MS1 Silicone-free: No	223694	75 g	
Mushroom stay-put button EM-STOP BG010				
	Ø 39 mm Yellow/red Designation plate: With yellow backing plate Silicone-free: Yes	223697	50 g	
	Ø 39 mm Yellow/red Designation plate: With yellow backing plate Silicone-free: No	223698	50 g	
Mushroom stay-put button, black BG012				
	Ø 39 mm Black Silicone-free: Yes	223699	50 g	
	Ø 39 mm Black Silicone-free: No	223700	50 g	

Accessories				
Figure	Description	Art. No.	Weight	
Mushroom pushbutton, 55 mm, red BG014				
	Ø 55 mm Black/red Designation plate: Red, blank disc without text Silicone-free: Yes	244634	55 g	
	Ø 55 mm Black/red Designation plate: Red, blank disc without text Silicone-free: No	244635	55 g	
Mushroom stay-put button, 55 mm, EM-STOP BG015				
	Ø 55 mm Yellow/red Designation plate: With yellow backing plate Silicone-free: Yes	244636	55 g	
	Ø 55 mm Yellow/red Designation plate: With yellow backing plate Silicone-free: No	244637	55 g	
Twin pushbutton BG023				
	Black Silicone-free: Yes	244638	45 g	
	Black Silicone-free: No	244639	45 g	
Mushroom pushbutton, 55 mm, black BG703				
	Ø 55 mm Black Designation plate: Black, blank disc without text Silicone-free: Yes	244642	55 g	
	Ø 55 mm Black Designation plate: Black, blank disc without text Silicone-free: No	244643	55 g	
Small rotary actuator, not lockable BG726				
	Ø 39 mm Black Designation plate: 0/OFF – I/ON Number of switching positions: 2 Lockable in: Not padlockable Switching function: Latching / Latching Silicone-free: Yes	244646	40 g	
	Ø 39 mm Black Designation plate: 0/OFF – I/ON Number of switching positions: 2 Lockable in: Not padlockable Switching function: Latching / Latching Silicone-free: No	244647	40 g	

Accessories			
Figure	Description	Art. No.	Weight
Small rotary actuator, not lockable BG726			
	Ø 39 mm Black Designation plate: I – 0 – II Number of switching positions: 3 Lockable in: Not padlockable Switching function: Latching / Latching / Latching Silicone-free: Yes	244648	40 g
	Ø 39 mm Black Designation plate: I – 0 – II Number of switching positions: 3 Lockable in: Not padlockable Switching function: Latching / Latching / Latching Silicone-free: No	244649	40 g
Rotary actuator, small, lockable BG727			
	Ø 39 mm Black Designation plate: 0/OFF – I/ON Number of switching positions: 2 Lockable in: One pos. with one lock Switching function: Latching / Latching Silicone-free: Yes	244650	40 g
	Ø 39 mm Black Designation plate: 0/OFF – I/ON Number of switching positions: 2 Lockable in: One pos. with one lock Switching function: Latching / Latching Silicone-free: No	244651	40 g
	Ø 39 mm Black Designation plate: I – 0 – II Number of switching positions: 3 Lockable in: One pos. with one lock Switching function: Latching / Latching / Latching Silicone-free: Yes	244652	40 g
	Ø 39 mm Black Designation plate: I – 0 – II Number of switching positions: 3 Lockable in: One pos. with one lock Switching function: Latching / Latching / Latching Silicone-free: No	244653	40 g
Illuminated pushbutton (spring return) BG735			
	Ø 39 mm Black All colours Silicone-free: Yes	244654	35 g
	Ø 39 mm Black All colours Silicone-free: No	244655	35 g

Spare Parts

Figure	Description	Art. No.	Weight
Mushroom stay-put button with key BG006			
	Ø 39 mm Red/black Closing: MS2 Silicone-free: Yes	270409	75 g
	Ø 39 mm Red/black Closing: MS2 Silicone-free: No	270412	75 g
	Ø 39 mm Red/black Closing: MS3 Silicone-free: Yes	270410	75 g
	Ø 39 mm Red/black Closing: MS3 Silicone-free: No	270413	75 g
	Ø 39 mm Red/black Closing: MS4 Silicone-free: Yes	270411	75 g
	Ø 39 mm Red/black Closing: MS4 Silicone-free: No	270414	75 g

Spare Parts			
Figure	Description	Art. No.	Weight
Key-operated switch actuator BG008			
	Ø 39 mm Black Closing: MS1 Number of switching positions: 2 Switching function: Latching / Latching Silicone-free: Yes	244573	50 g
	Ø 39 mm Black Closing: MS2 Number of switching positions: 2 Switching function: Latching / Latching Silicone-free: Yes	272935	60 g
	Ø 39 mm Black Closing: MS2 Number of switching positions: 2 Switching function: Latching / Latching Silicone-free: No	270418	50 g
	Ø 39 mm Black Closing: MS3 Number of switching positions: 2 Switching function: Latching / Latching Silicone-free: Yes	274089	50 g
	Ø 39 mm Black Closing: MS3 Number of switching positions: 2 Switching function: Latching / Latching Silicone-free: No	270419	50 g
	Ø 39 mm Black Closing: MS4 Number of switching positions: 2 Switching function: Latching / Latching Silicone-free: Yes	272936	60 g
	Ø 39 mm Black Closing: MS4 Number of switching positions: 2 Switching function: Latching / Latching Silicone-free: No	270420	50 g

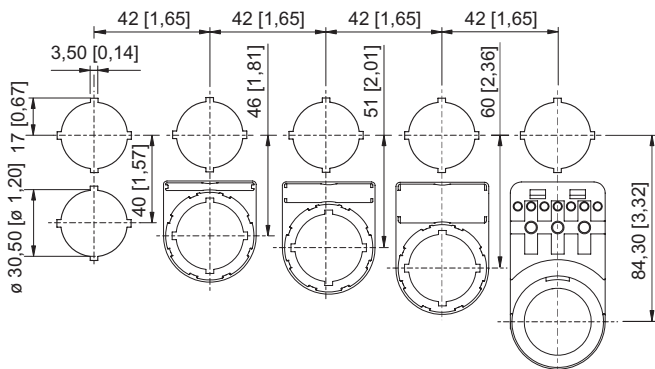
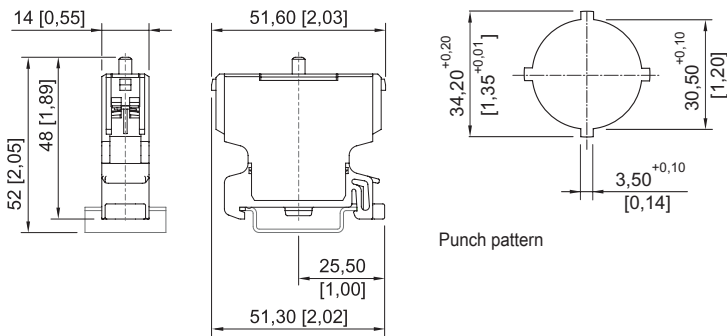
Spare Parts

Figure	Description	Art. No.	Weight
Key-operated switch actuator BG008			
	Ø 39 mm Black Closing: MS1 Number of switching positions: 3 Switching function: Latching / Latching / Latching Silicone-free: Yes	244632	50 g
	Ø 39 mm Black Closing: MS2 Number of switching positions: 3 Switching function: Latching / Latching / Latching Silicone-free: Yes	274090	50 g
	Ø 39 mm Black Closing: MS2 Number of switching positions: 3 Switching function: Latching / Latching / Latching Silicone-free: No	270421	50 g
	Ø 39 mm Black Closing: MS3 Number of switching positions: 3 Switching function: Latching / Latching / Latching Silicone-free: Yes	274091	50 g
	Ø 39 mm Black Closing: MS3 Number of switching positions: 3 Switching function: Latching / Latching / Latching Silicone-free: No	270422	50 g
	Ø 39 mm Black Closing: MS4 Number of switching positions: 3 Switching function: Latching / Latching / Latching Silicone-free: Yes	274092	50 g
	Ø 39 mm Black Closing: MS4 Number of switching positions: 3 Switching function: Latching / Latching / Latching Silicone-free: No	270423	50 g

Spare Parts

Figure	Description	Art. No.	Weight
Mushroom stay-put button with EM-STOP key BG009			
	Ø 39 mm Yellow/red Designation plate: With yellow backing plate Closing: MS2 Silicone-free: Yes	274099	750 g
	Ø 39 mm Yellow/red Designation plate: With yellow backing plate Closing: MS2 Silicone-free: No	270415	75 g
	Ø 39 mm Yellow/red Designation plate: With yellow backing plate Closing: MS3 Silicone-free: Yes	274100	750 g
	Ø 39 mm Yellow/red Designation plate: With yellow backing plate Closing: MS3 Silicone-free: No	270416	75 g
	Ø 39 mm Yellow/red Designation plate: With yellow backing plate Closing: MS4 Silicone-free: Yes	274101	750 g
	Ø 39 mm Yellow/red Designation plate: With yellow backing plate Closing: MS4 Silicone-free: No	270417	75 g

Dimensional Drawings (All Dimensions in mm [inches]) – Subject to Alterations



Cut-out with/without additional designation plate