

- Six basic enclosure sizes, optional inspection windows, direct and indirect cable entry possible
- International certification, wide temperature range, seawater-resistant light-metal enclosure
- Suitable series 8146/8150 connection-chamber enclosures possible

MY R. STAHL 8265A



R. STAHL series 8265 Ex d enclosures are ideal for motor control units, control boxes and terminal boxes. We equip these with various components, including sparking equipment, according to customer requirements. The cable entry can be direct or indirect. The large cover opening makes commissioning and maintenance easier. Single enclosures are ideal as components in Ex e control systems. Optional, large inspection window possible.

	IECEx / ATEX					
Zone	0	1	2	20	21	22
Installation in		•	•		•	•

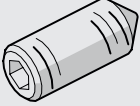
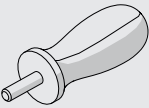
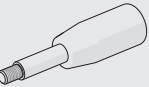
Selection Table						
Cover Closed						
Enclosure size	Width	Height	Length	Product Type	Art. No.	Weight
1	125 mm	132 mm	125 mm	8265/01-0000	211112	2.75 kg
2	155 mm	132 mm	155 mm	8265/02-0000	143409	3.85 kg
3	195 mm	172 mm	195 mm	8265/03-0000	143410	6.58 kg
4	236 mm	227 mm	236 mm	8265/04-0000	143411	10.6 kg
5	285 mm	230 mm	285 mm	8265/05-0000	143412	18.3 kg
6	335 mm	281 mm	335 mm	8265/06-0000	143413	27.8 kg
Cover With inspection window						
Enclosure size	Width	Height	Length	Product Type	Art. No.	Weight
1	125 mm	132 mm	125 mm	8265/01-0010	211086	2.77 kg
2	155 mm	132 mm	155 mm	8265/02-0010	209700	3.95 kg
3	195 mm	172 mm	195 mm	8265/03-0010	143415	6.63 kg
4	236 mm	227 mm	236 mm	8265/04-0010	143416	11.1 kg
5	285 mm	230 mm	285 mm	8265/05-0010	143417	18.8 kg
6	335 mm	281 mm	335 mm	8265/06-0010	143418	28.8 kg

Technical Data	
Explosion Protection	
IECEx gas explosion protection	Ex db eb IIC Gb
IECEx dust explosion protection	Ex tb IIIC Db








Technical Data	
Explosion Protection	
ATEX gas explosion protection	Ⓔ II 2 G Ex db eb IIC Gb
ATEX dust explosion protection	Ⓔ II 2 D Ex tb IIIC Db
Certificates	ATEX (PTB), Brazil (ULB), China (NEPSI), IECEx (PTB), Taiwan (ITRI)
Declaration of Conformity	Certificate of conformity (ATEX), China (CCC)
Notes	Product label may vary. Series devices have certification according to ATEX and IECEx.
Electrical Data	
Notes	depending on the equipment and components used
Ambient Conditions	
Ambient temperature	-50 °C ... +60 °C
Mechanical Data	
Degree of protection (IP)	IP54
Note on degree of protection	IP66 with O-ring silicone -60 °C ... +60 °C
Enclosure material	Aluminium, copper-free, Seawater-resistant

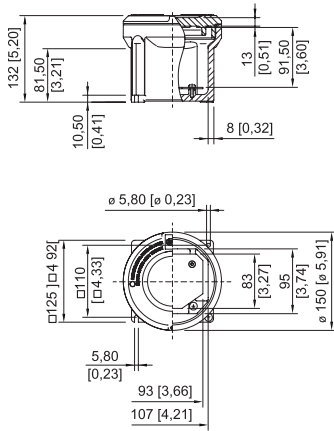
Accessories				
Figure	Description	Art. No.	Weight	
Cover without sight glass				
	Enclosure: 8265/1-0000	208861	840 g	
	Enclosure: 8265/2-0000	143468	1.43 kg	
	Enclosure: 8265/3-0000	143470	2.03 kg	
	Enclosure: 8265/4-0000	143472	3.14 kg	
	Enclosure: 8265/5-0000	143474	4.9 kg	
	Enclosure: 8265/6-0000	143476	8.78 kg	
Mounting rail				
	G32 length: 133 mm [5.24 inch] for size 3 enclosure	137939	20 g	
	G32 length: 189 mm [7.44 inch] for size 4 enclosure	137945	130 g	
	G32 length: 280 mm [11.02 inch] for size 6 enclosure	166450	200 g	
	TS35 length: 80 mm [3.15 inch] for size 1 enclosure	212424	27 g	
	TS35 length: 105 mm [4.13 inch] for size 2 enclosure	143498	37 g	
	TS35 length: 133 mm [5.24 inch] for size 3 enclosure	137970	40 g	
	TS35 length: 189 mm [7.44 inch] for size 4 enclosure	137976	60 g	
	TS35 length: 218 mm [8.58 inch] for size 5 enclosure	212426	33 g	
	TS35 length: 280 mm [11.02 inch] for size 6 enclosure	166449	100 g	
		TS15 length: 80 mm [3.15 inch] for size 1 enclosure	212425	13 g
		TS15 length: 105 mm [4.13 inch] for size 2 enclosure	143497	18 g
TS15 length: 133 mm [5.24 inch] for size 3 enclosure		137902	20 g	
TS15 length: 189 mm [7.44 inch] for size 4 enclosure		137908	29 g	
TS15 length: 218 mm [8.58 inch] for size 5 enclosure		212427	30 g	
TS15 length: 280 mm [11.02 inch] for size 6 enclosure		166448	49 g	

Accessories

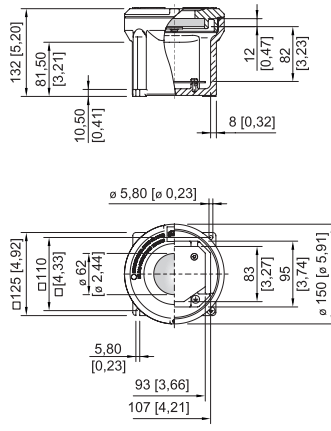
Figure	Description	Art. No.	Weight
Threaded pin			
	M5x16-A2 with hexagon socket and pointed tip	110216	2 g
Box spanner			
	for opening a size 1, 2, 3, 4 enclosure cover two box spanners are required	142059	60 g
	for opening a size 5, 6 enclosure cover two box spanners are required	221927	214 g

Spare Parts

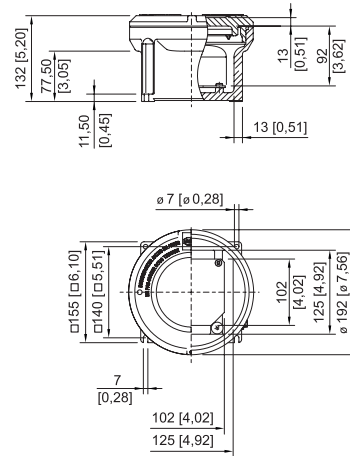
Figure	Description	Art. No.	Weight
Cover with sight glass			
	for size 2 enclosure Visible cut-out in the sight glass dia. 102 mm [4.02 inch]	209698	1.57 kg
	for size 3 enclosure visible cut-out in the sight glass dia. 142 mm [5.59 inches]	143452	2.23 kg
	for size 4 enclosure Visible cut-out in the sight glass dia. 182 mm [7.17 inch]	143453	3.86 kg
	for size 5 enclosure Visible cut-out in the sight glass dia. 188 mm [7.4 inch]	211041	5.3 kg
	for size 6 enclosure Visible cut-out in the sight glass dia. 188 mm [7.4 inch]	201886	9.22 kg
Mounting plate			
	for size 1 enclosure M5 x 8 screws are not included in the delivery	208862	120 g
	for size 2 enclosure M5 x 8 screws are not included in the delivery	143484	189 g
	for enclosure size 3 M5 x 8 screws are not included in the delivery	143485	364 g
	for size 4 enclosure M5 x 8 screws are not included in the delivery	143486	744 g
	for size 5 enclosure M5 x 8 screws are not included in the delivery	143487	1.07 kg
	for size 6 enclosure M5 x 8 screws are not included in the delivery	143488	1.7 kg
O-ring			
	Silicone, for size 1 enclosure	305498	6 g
	Silicone, for enclosure size 3	305500	10 g
	Silicone, for size 4 enclosure	305631	12 g
	Silicone, for size 5 enclosure	305632	20 g
	Silicone, for size 6 enclosure	305633	26 g



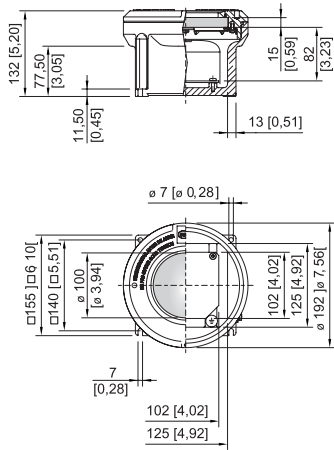
Size 1 enclosure without sight glass



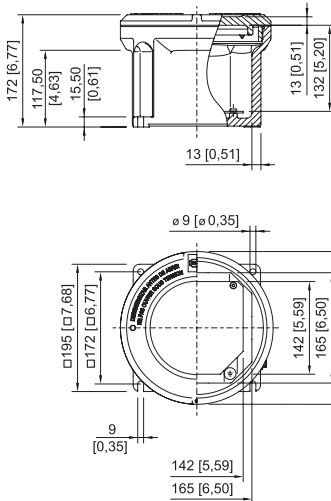
Size 1 enclosure with sight glass



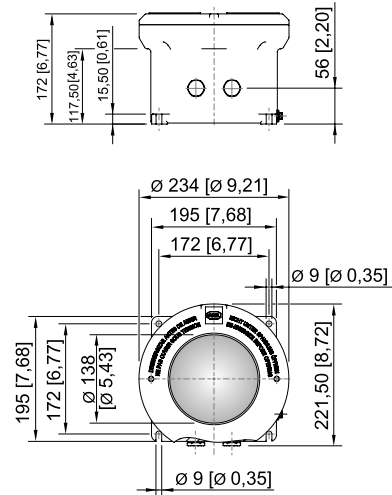
Size 2 enclosure without sight glass



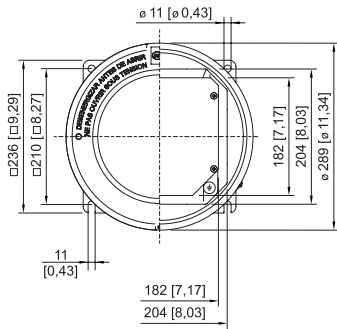
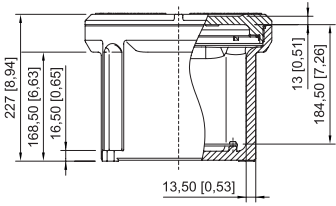
Size 2 enclosure with sight glass



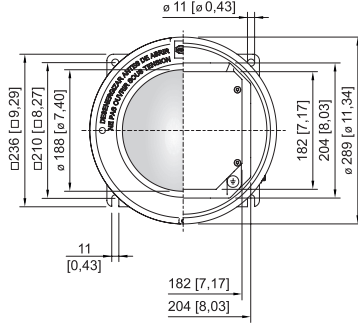
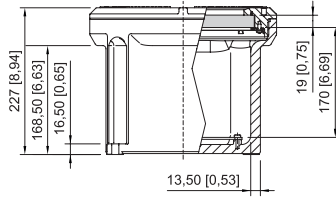
Size 3 enclosure without sight glass



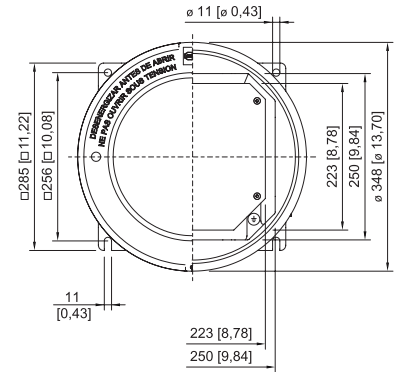
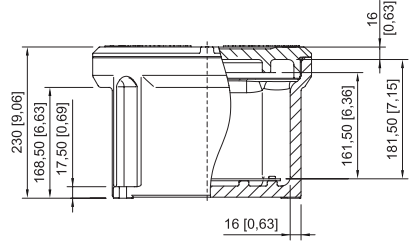
Enclosure size 3 with sight glass



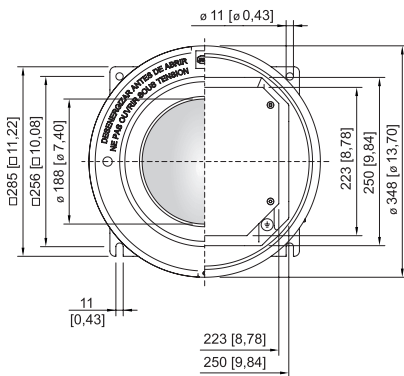
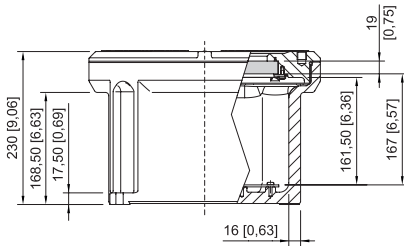
Size 4 enclosure without sight glass



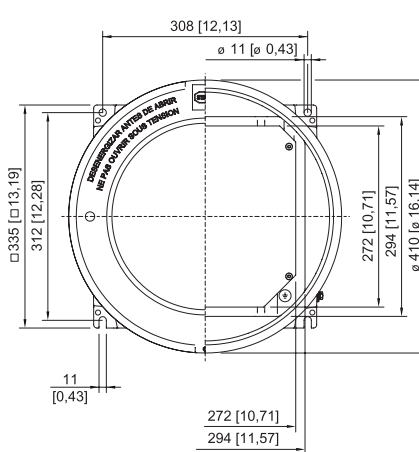
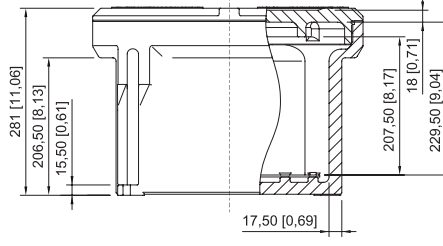
Size 4 enclosure with sight glass



Size 5 enclosure without sight glass

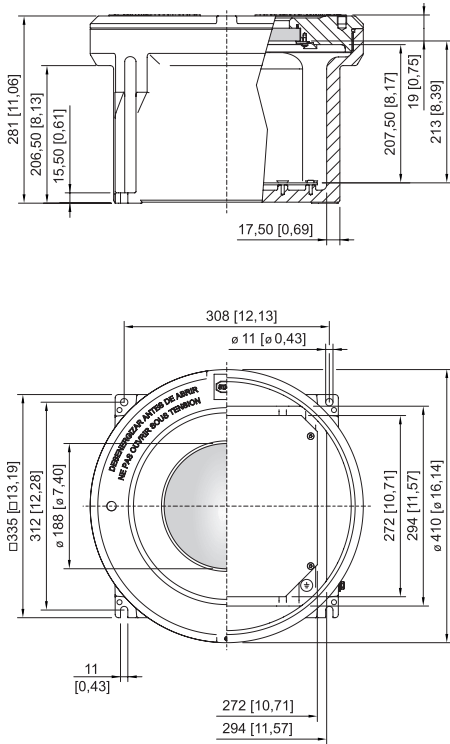


Size 5 enclosure with sight glass



Size 6 enclosure without sight glass

E9



Size 6 enclosure with sight glass