

- Six basic enclosure sizes, optional inspection windows, direct and indirect cable entry possible
- International certification, wide temperature range, seawater-resistant light-metal enclosure
- Suitable series 8146/8150 connection-chamber enclosures possible

E9

WebCode **8265A**




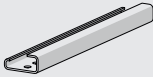
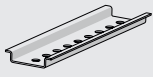
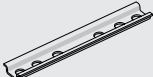
R. STAHL series 8265 Ex d enclosures are ideal for motor control units, control boxes and terminal boxes. We equip these with various components, including sparking equipment, according to customer requirements. The cable entry can be direct or indirect. The large cover opening makes commissioning and maintenance easier. Single enclosures are ideal as components in Ex e control systems. Optional, large inspection window possible.

	IECEx / ATEX					
Zone	0	1	2	20	21	22
Installation in		•	•		•	•

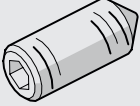
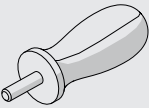
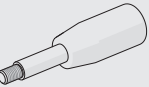
Selection Table						
Cover Closed						
Enclosure size	Width	Height	Length	Product Type	Art. No.	Weight
1	125 mm	132 mm	125 mm	8265/01-0000	211112	2.75 kg
2	155 mm	132 mm	155 mm	8265/02-0000	143409	3.85 kg
3	195 mm	172 mm	195 mm	8265/03-0000	143410	6.58 kg
4	236 mm	227 mm	236 mm	8265/04-0000	143411	10.6 kg
5	285 mm	230 mm	285 mm	8265/05-0000	143412	18.3 kg
6	335 mm	281 mm	335 mm	8265/06-0000	143413	27.8 kg
Cover With inspection window						
Enclosure size	Width	Height	Length	Product Type	Art. No.	Weight
1	125 mm	132 mm	125 mm	8265/01-0010	211086	2.77 kg
2	155 mm	132 mm	155 mm	8265/02-0010	209700	3.95 kg
3	195 mm	172 mm	195 mm	8265/03-0010	143415	6.63 kg
4	236 mm	227 mm	236 mm	8265/04-0010	143416	11.1 kg
5	285 mm	230 mm	285 mm	8265/05-0010	143417	18.8 kg
6	335 mm	281 mm	335 mm	8265/06-0010	143418	28.8 kg

Technical Data	
Explosion Protection	
IECEx gas explosion protection	Ex db eb IIC Gb
IECEx dust explosion protection	Ex tb IIIC Db









Technical Data	
Explosion Protection	
ATEX gas explosion protection	II 2 G Ex db eb IIC Gb
ATEX dust explosion protection	II 2 D Ex tb IIIC Db
Certificates	ATEX (PTB), Brazil (ULB), China (NEPSI), IECEx (PTB), Taiwan (ITRI)
Notes	Product label may vary. Series devices have certification according to ATEX and IECEx.
Electrical Data	
Notes	depending on the equipment and components used
Ambient Conditions	
Ambient temperature	-50 °C ... +60 °C
Mechanical Data	
Degree of protection (IP)	IP54
Note on degree of protection	IP66 with O-ring silicone -60 °C ... +60 °C
Enclosure material	Aluminium, copper-free, Seawater-resistant

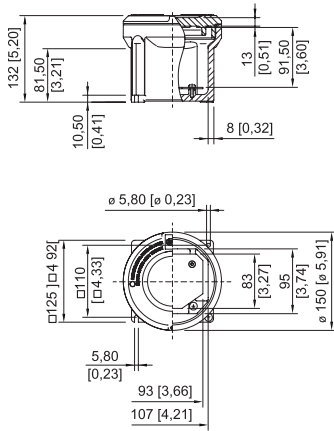
Accessories				
Figure	Description	Art. No.	Weight	
Cover without sight glass				
	Enclosure: 8265/1-0000	208861	840 g	
	Enclosure: 8265/2-0000	143468	1.43 kg	
	Enclosure: 8265/3-0000	143470	2.03 kg	
	Enclosure: 8265/4-0000	143472	3.14 kg	
	Enclosure: 8265/5-0000	143474	4.9 kg	
	Enclosure: 8265/6-0000	143476	8.78 kg	
Mounting rail				
	G32 length: 133 mm [5.24 in] for enclosure size 3	137939	20 g	
	G32 length: 189 mm [7.44 in] for enclosure size 4	137945	130 g	
	G32 length: 280 mm [11.02 in] for enclosure size 6	166450	200 g	
	TS35 length: 80 mm [3.15 in] for enclosure size 1	212424	27 g	
	TS35 length: 105 mm [4.13 in] for enclosure size 2	143498	37 g	
	TS35 length: 133 mm [5.24 in] for enclosure size 3	137970	40 g	
	TS35 length: 189 mm [7.44 in] for enclosure size 4	137976	60 g	
	TS35 length: 218 mm [8.58 in] for enclosure size 5	212426	33 g	
	TS35 length: 280 mm [11.02 in] for enclosure size 6	166449	100 g	
		TS15 length: 80 mm [3.15 in] for enclosure size 1	212425	13 g
		TS15 length: 105 mm [4.13 in] for enclosure size 2	143497	18 g
TS15 length: 133 mm [5.24 in] for enclosure size 3		137902	20 g	
TS15 length: 189 mm [7.44 in] for enclosure size 4		137908	29 g	
TS15 length: 218 mm [8.58 in] for enclosure size 5		212427	30 g	
TS15 length: 280 mm [11.02 in] for enclosure size 6		166448	49 g	

Accessories

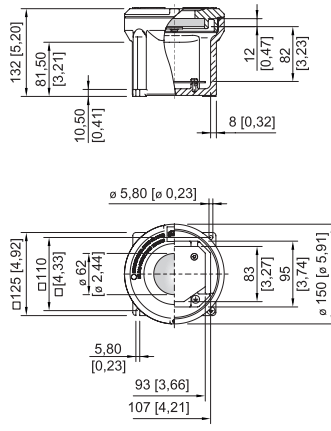
Figure	Description	Art. No.	Weight
Threaded pin			
	M5x16-A2 with allen screw and point	110216	1 g
Box spanner			
	to open the enclosure cover for size 1, 2, 3, 4 2 box spanner are required	142059	60 g
	to open the enclosure cover for size 5, 6 2 box spanner are required	221927	214 g

Spare Parts

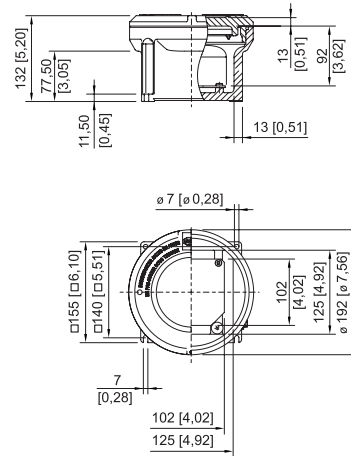
Figure	Description	Art. No.	Weight
Cover with inspection window			
	for enclosure size 2 visible part of window Ø 102 mm [4,02 inch]	209698	1.57 kg
	for enclosure size 3 visible part of window Ø 142 mm [5,59 inch]	143452	2.23 kg
	for enclosure size 4 visible part of window Ø 182 mm [7,17 inch]	143453	3.86 kg
	for enclosure size 5 visible part of window Ø 188 mm [7,4 inch]	211041	5.3 kg
	for enclosure size 6 visible part of window Ø 188 mm [7,4 inch]	201886	9.22 kg
Mounting plate			
	for enclosure size 1 M5 x 8 screws are not included.	208862	120 g
	for enclosure size 2 M5 x 8 screws are not included.	143484	189 g
	for enclosure size 3 M5 x 8 screws are not included.	143485	364 g
	for enclosure size 4 M5 x 8 screws are not included.	143486	744 g
	for enclosure size 5 M5 x 8 screws are not included.	143487	1.07 kg
	for enclosure size 6 M5 x 8 screws are not included.	143488	1.7 kg
O-ring			
	silicone, for enclosure size 1	305498	6 g
	silicone, for enclosure size 3	305500	10 g
	silicone, for enclosure size 4	305631	12 g
	silicone, for enclosure size 5	305632	20 g
	silicone, for enclosure size 6	305633	26 g



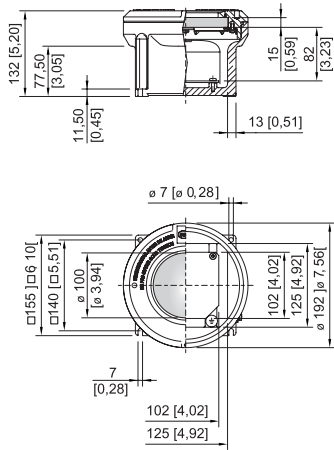
Enclosure size 1 without inspection window



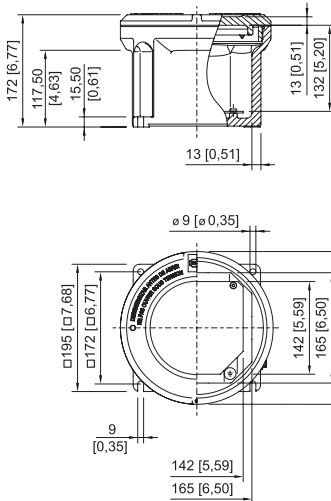
Enclosure size 1 with inspection window



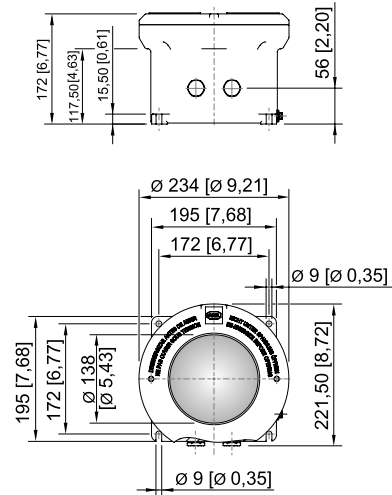
Enclosure size 2 without inspection window



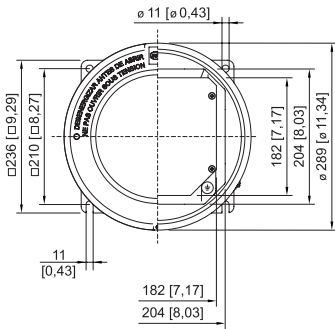
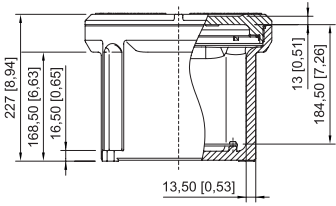
Enclosure size 2 with inspection window



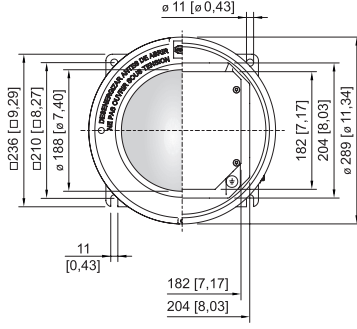
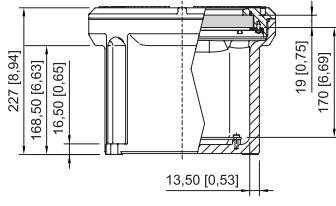
Enclosure size 3 without inspection window



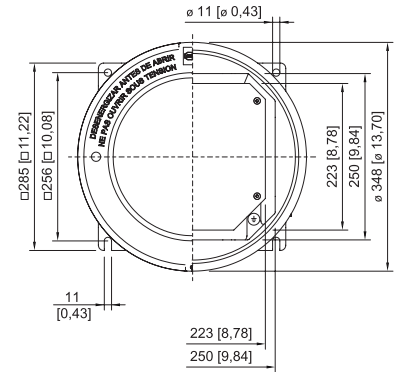
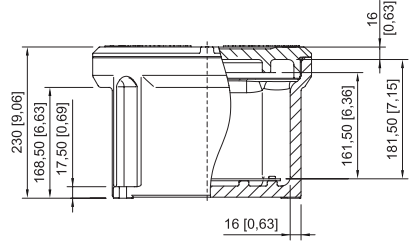
Enclosure size 3 with inspection window



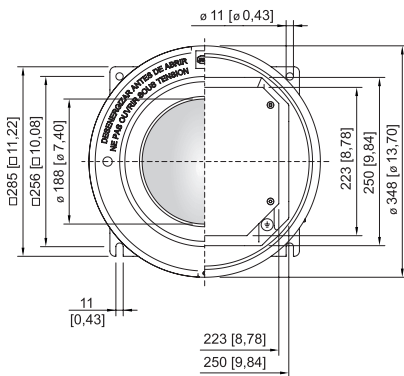
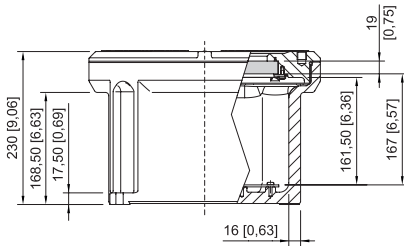
Enclosure size 4 without inspection window



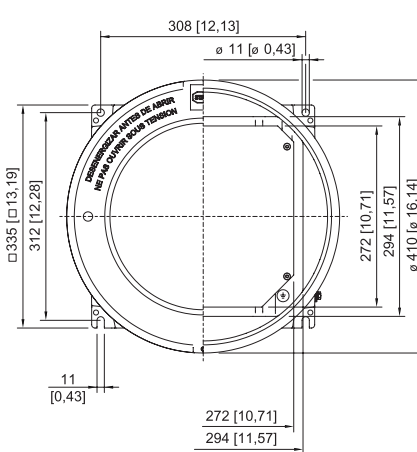
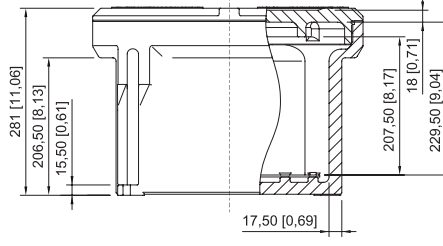
Enclosure size 4 with inspection window



Enclosure size 5 without inspection window

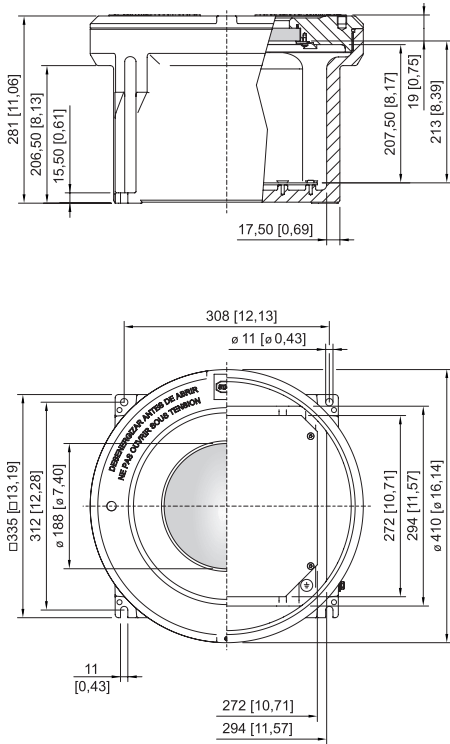


Enclosure size 5 with inspection window



Enclosure size 6 without inspection window

E9



Enclosure size 6 with inspection window