

- Cost- and space-saving system for HART communication
- Simple mounting on a DIN rail

A3

MY R. STAHL 9196A



Used in combination with the HART multiplexer (9192), the Series 9196 HART termination board enables the transmission of data using the HART protocol between field devices and an asset management system. The boards are very easy to install on DIN rails and can process 4 to 20 mA signals with HART FSK. If Ex i separation is necessary, this will require separate Ex i isolators.

	IECEX / ATEX					
Zone	0	1	2	20	21	22
Installation in			•			

	NEC [®] 500 CE Code Appendix J					
	Class I		Class II		Class III	
Division	1	2	1	2	1	2
Installation in		•				

	CE Code Section 18					
	NEC [®] 505			NEC [®] 506		
Zone	Class I			20	21	22
Zone	0	1	2	20	21	22
Installation in			•			

Selection Table				
Connection isolators / Non-Ex field devices	Via pluggable terminal; connected to the field device/automation system in parallel; input or output			
Terminal	Product Type	Art. No.	Weight	
One terminal for the field side and control system side, detachable	9196/16H-XX0-03c	160891	150 g	
Connection isolators / Non-Ex field devices	Via pluggable terminal; connected to the field device/automation system in parallel; input or output			
Connection automation system	Via integrated screw terminal			
Terminal	Product Type	Art. No.	Weight	
One terminal for the field side, one terminal for the control system side, detachable	9196/16H-XX0-05c	249297	520 g	
32 channels when two Series 9196 HART termination boards are connected to a Series 9192 HART multiplexer.				

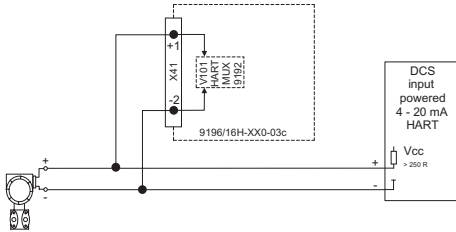
Technical Data	
Explosion Protection	
IECEX gas explosion protection	Ex ec IIC T4 Gc
ATEX gas explosion protection	⊕ II 3 G Ex ec IIC T4 Gc
Certificates	ATEX (BVS), Brazil (ULB), Canada (FM), China (NEPSI), IECEX (BVS), India (PESO), SIL (exida), USA (FM)
Ship approval	CCS, EU RO MR (DNV)
Declaration of Conformity	ATEX (EUK), China (CCC)
Auxiliary Power	
Auxiliary power	24 V DC
Ambient Conditions	
Ambient temperature	-20 °C ... +70 °C
Storage temperature	-40 °C ... +80 °C

Technical Data

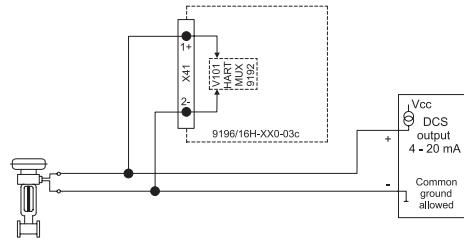
Mounting / Installation

Mounting type DIN rail

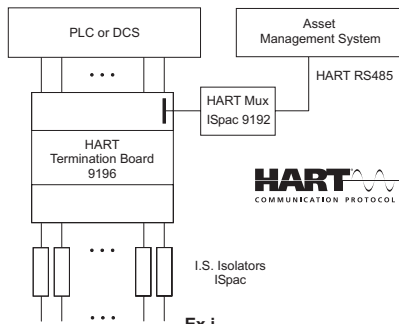
Technical Drawings – Subject to Alterations



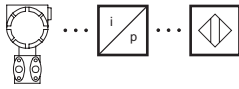
Connection diagram 9196/.....-03c



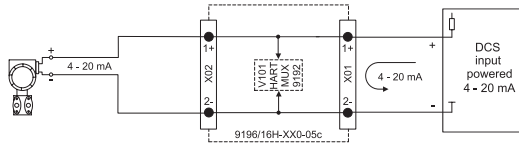
Connection diagram 9196/.....-03c



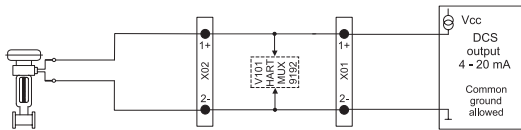
Ex i



System configuration

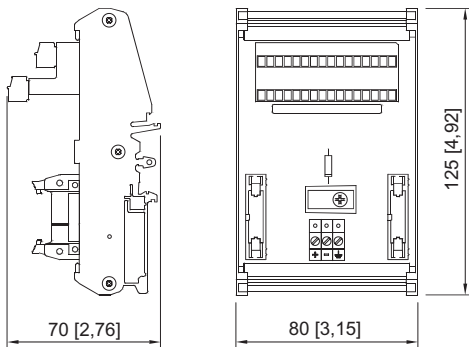


Connection diagram 9196/.....-05c

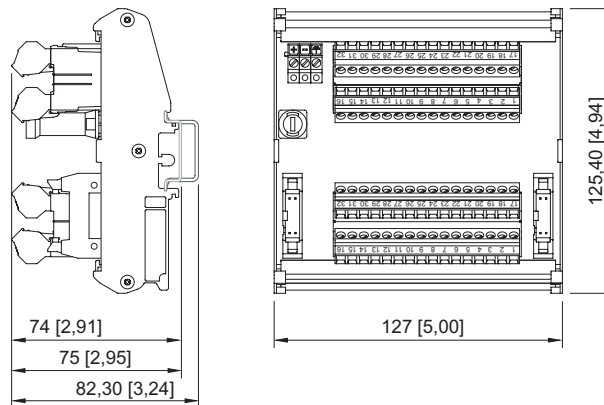


Connection diagram 9196/.....-05c

Dimensional Drawings (All Dimensions in mm [inches]) – Subject to Alterations



HART termination board type 9196/16H-XX0-03c



HART termination board type 9196/16H-XX0-05c