



- Advantageous LED technology: Extremely long service life, high luminance, low heat build-up
- For installation in enclosure walls, device covers, panels, control cabinets
- Version with spring clamp terminal with or without connection enclosure or version with prefabricated connection line and connection enclosure available

MY R. STAHL 8013A



R. STAHL Series 8013 LED indicating lamps show command statuses via a light signal, the colour of which you can determine using the colour filter included in the delivery: Red, yellow, green, blue or white. The long-life LEDs provide high luminance and low heat build-up. Versions with spring clamp terminal with or without connection enclosure and versions with prefabricated connection line and connection enclosure are available.

	IECEx / ATEX					
Zone	0	1	2	20	21	22
Installation in		•	•	•	•	

	NEC® 500 CE Code Appendix J					
	Class I		Class II		Class III	
Division	1	2	1	2	1	2
Installation in		•				

	CE Code Section 18					
	NEC® 505			NEC® 506		
	Class I					
Zone	0	1	2	20	21	22
Installation in		•	•			

Selection Table							
Product variant				Ex d e			
Connection	Conductor length	Conductor length, inches	Connection cross-section	Connection cross-section AWG	Product Type	Art. No.	Weight
Plug-in connection, connection cable	3 m	118.11 in	0,75 mm ²	–	8013/313-al-3 UL	216425	635 g
	6 m	236.22 in	0,75 mm ²	–	8013/313-al-6 UL	214311	625 g
	15 m	590.55 in	0,75 mm ²	–	8013/313-al-15 UL	216424	635 g
Spring terminal connection	–	–	0.75 ... 1.5 mm ²	18 AWG ... 12 AWG	8013/311-al UL	129095	130 g
		–	0.5 ... 2.5 mm ²	18 AWG ... 12 AWG	8013/312-al UL	129096	100 g
Product variant				Ex i			
Connection	Conductor length	Conductor length, inches	Connection cross-section	Connection cross-section AWG	Product Type	Art. No.	Weight
Plug-in connection, connection cable	6 m	236.22 in	0,75 mm ²	–	8013/323-al-6 UL	214312	635 g
Spring terminal connection	–	–	0.75 ... 1.5 mm ²	18 AWG ... 12 AWG	8013/321-al UL	129110	140 g
		–	0.5 ... 2.5 mm ²	18 AWG ... 12 AWG	8013/322-al UL	129111	110 g

The calotte insert caps red, yellow, green, blue, white are enclosed in the delivery.

Technical Data				
Variants	Ex d e With connection chamber	Ex d e Without connection chamber	Ex i With connection chamber	Ex i Without connection chamber
Explosion Protection				
IECEx gas explosion protection	Ex db eb mb IIC T6 Gb	Ex db eb mb IIC Gb	Ex db mb ia IIC T6 Gb	Ex db mb ia IIC Gb
IECEx dust explosion protection	Ex tb IIIC T80 °C Db		Ex tb IIIC T80 °C Db	

Technical Data				
Variant	Ex d e With connection chamber	Ex d e Without connection chamber	Ex i With connection chamber	Ex i Without connection chamber
Explosion Protection				
ATEX gas explosion protection	Ⓔ II 2 G Ex db eb mb IIC T6 Gb	Ⓔ II 2 G Ex db eb mb IIC Gb	Ⓔ II 2 G Ex db mb ia IIC T6 Gb	Ⓔ II 2 G Ex db mb ia IIC Gb
ATEX dust explosion protection	Ⓔ II 2 D Ex tb IIIC T80 °C Db		Ⓔ II 2 D Ex tb IIIC T80 °C Db	
Certificates	ATEX (PTB), Canada (UL), China (CQST), IECEx (PTB), USA (UL)	ATEX (PTB), Canada (UL), China (CQST), IECEx (PTB), USA (UL)	ATEX (PTB), Canada (UL), China (CQST), IECEx (PTB), USA (UL)	ATEX (PTB), Canada (UL), China (CQST), IECEx (PTB), USA (UL)
Declaration of Conformity	ATEX (EUK), China (CCC)	Certificate of conformity (ATEX), China (CCC)	ATEX (EUK), China (CCC)	Certificate of conformity (ATEX), China (CCC)
Notes	Product label may vary. Series devices have certification according to ATEX, IECEx, NEC® and CE Code.			
Safety Data				
Max. capacitance Ci			Negligible	Negligible
Max. inductance Li			Negligible	Negligible
Max. voltage Ui			28 V	28 V
Max. current Ii			150 mA	150 mA
Max. power Pi			1 W	1 W
Electrical Data				
Rated operational voltage AC	12 – 254 V	12 – 254 V	10.8 – 28 V	10.8 – 28 V
Rated operational voltage DC	12 ... 254 V	12 ... 254 V	10.8 ... 28 V	10.8 ... 28 V
AC UL rated operational voltage	10.8 – 254 V	10.8 – 254 V	28 V	28 V
Voltage tolerance	-10 to +6%	-10 to +6%		
Rated operational current	2.5 mA	2.5 mA	12 mA	12 mA
Frequency	0 to 60 Hz	0 to 60 Hz	0 to 60 Hz	0 to 60 Hz
UL rated operational current			0.15 A	0.15 A
Rated operational power	0.6 W	0.6 W	0.6 W	0.6 W
Electrical service life	10 ⁵ lighting hours	10 ⁵ lighting hours	10 ⁵ lighting hours	10 ⁵ lighting hours
Ambient Conditions				
Ambient temperature	-30 °C ... +60 °C	-30 °C ... +60 °C	-30 °C ... +60 °C	-30 °C ... +60 °C
Ambient temperature	-22 °F ... +140 °F	-22 °F ... +140 °F	-22 °F ... +140 °F	-22 °F ... +140 °F
Lighting Data				
Lamp	White LED	White LED	White LED	White LED
Luminous colour	Blue Green Red White Yellow	Blue Green Red White Yellow	Blue Green Red White Yellow	Blue Green Red White Yellow
Mechanical Data				
Degree of protection (IP) (IEC 60529)	Reverse side IP65, front side IP66	Reverse side IP20, front side IP66	Reverse side IP65, front side IP66	Reverse side IP20, front side IP66
Silicone-free	Yes	Yes	Yes	Yes
Mounting / Installation				
Tightening torque	1.2 Nm	1.2 Nm	1.2 Nm	1.2 Nm
Tightening torque lbf in	10.62 lbf in	10.62 lbf in	10.62 lbf in	10.62 lbf in
Components				
Entry 1	1 x 8161/7-M16-0902		1 x 8161/8-M16-0902	
Entry 1 type	Polyamide cable gland, black		Polyamide cable gland, blue	
Entry 1	M16 x 1.5		M16 x 1.5	
Entry 1 terminal area	2 – 9 mm		2 – 9 mm	
Entry 1 clamping range, inch	0.08 – 0.35 in		0.08 – 0.35 in	

LED Indicating Lamps for Panel Mounting

Series 8013 for ATEX / IECEx and NEC® / CE Code Applications

STAHL

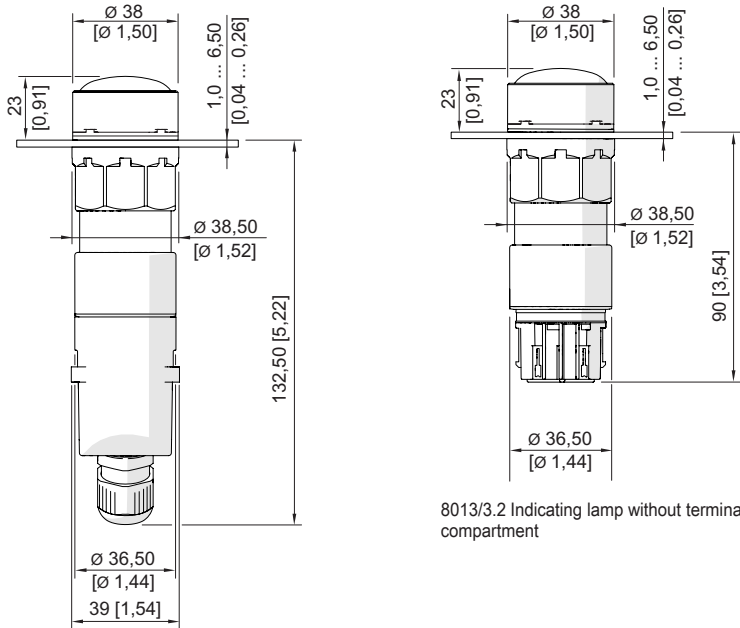
E4

Accessories

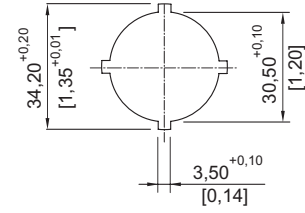
Figure	Description	Art. No.	Weight
Insert cap			
	red	155842	3 g
	yellow	155834	3 g
	green	155852	3 g
	blue	155860	3 g
	white	155824	3 g

Spare Parts

Figure	Description	Art. No.	Weight
Closing part			
	8602C3-733-B for closing unused holes in cover, Ø 30.5 mm, NBR	244306	25 g
	8602C3-733-S for closing unused holes in cover, Ø 30.5 mm, silicone	244307	25 g
Insert discs for label holder			
	1-line Plain Material: PVC Colour: White Self-adhesive	238271	10 g
	2-line Plain Material: PVC Colour: White Self-adhesive	238272	10 g
	3-line Plain Material: PVC Colour: White Self-adhesive	238273	10 g
Label mount			
	Label mount, size 1, without symbol label Text: 1 line for actuators to fit Ø 30.5 mm holes	155632	1 g
	Label mount, size 2, without symbol label Text: 1 or 2 lines for actuators to fit Ø 30.5 mm holes	155687	2 g
	Label mount, size 3, without symbol label Text: 1, 2 or 3 lines for actuators to fit Ø 30.5 mm holes	155844	2 g

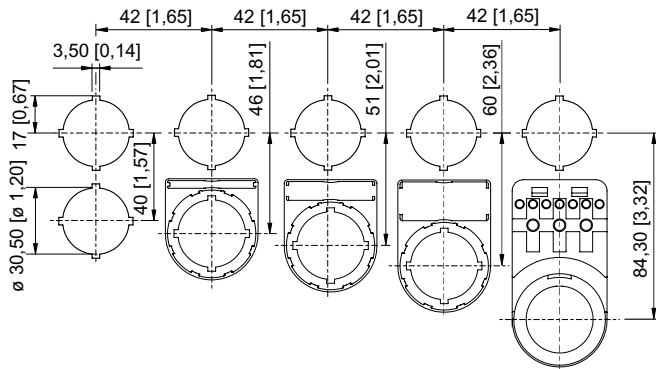


8013/3.2 Indicating lamp without terminal compartment



Cut-out details

8013/3.1, 8013/3.3 Indicating lamp with terminal compartment



Cut-out with / without front label