



- Prefabricated system cables make it quick and easy to install – simply snaps onto a DIN rail or mounting plate
- Can be used for Emerson Delta V, Schneider Foxboro/Tricon, Honeywell C300, Siemens ET200M and ET200F, Yokogawa Centum VP and ProSafe-RS
- Every 91xx ISpac isolator can be used in the pac-Carrier

A3

MY R. STAHL 9195A



The Series 9195 pac-Carrier is a cost-effective solution for connecting Ex i field devices to common I/O modules of distributed control systems or programmable logic controllers. The extremely robust carrier is suitable for 8 or 16 standard ISpac isolators and can process 32 signals, including a combination of Ex i and non-Ex i signals. It can be adapted to accommodate new I/O modules at any time. The carrier can be combined with the 9192 HART Mux.

	IECEX / ATEX					
	0	1	2	20	21	22
Zone						
Installation in			•			

	NEC® 500 CE Code Appendix J					
	Class I		Class II		Class III	
Division	1	2	1	2	1	2
Installation in		•				

	CE Code Section 18					
	NEC® 505			NEC® 506		
Zone	0	1	2	20	21	22
Installation in			•			

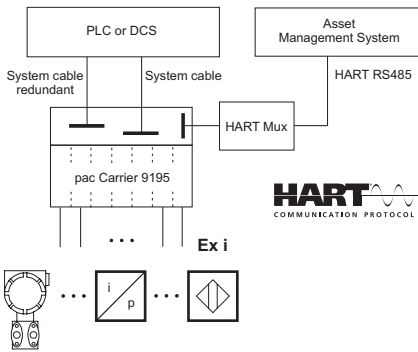
Selection Table						
HART-multiplexer connection	Yes					
Connections	HART interface via 9192 HART multiplexer					
I/O type	Type of signal	Number of slots	Redundancy	Product Type	Art. No.	Weight
any	DI, DO, AI, AO	16	No	9195/16H-XX0-01C	209268	843 g

Customer-specific versions for connection to the following control systems: Yokogawa Centum VP, Yokogawa ProSafe-RS, Schneider Electric (TRICONEX, Foxboro), Siemens.

Technical Data	
Explosion Protection	
IECEX gas explosion protection	Ex ec nC IIC T4 Gc
ATEX gas explosion protection	Ⓔ II 3 G Ex ec nC IIC T4 Gc
Certificates	ATEX (BVS), Brazil (ULB), Canada (FM), China (NEPSI), IECEX (BVS), India (PESO), SIL (exida), USA (FM)
Ship approval	CCS, EU RO MR (DNV)
Declaration of Conformity	ATEX (EUK), China (CCC)
Electrical Data	
Number of channels field device interface (HART)	8, 16, 32
Fuse	2 x TR5; T 2 A; interchangeable, for a primary and redundant power supply
Auxiliary Power	
Auxiliary power	24 V DC
Redundant supply	Yes, diode-decoupled
Input	
Line fault and loss of power signalisation	- Contact (35 V/100 mA), closed in go-state

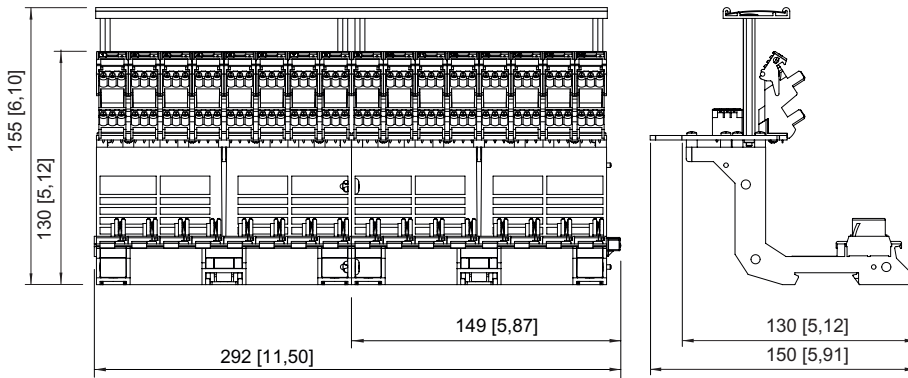
Technical Data	
Ambient Conditions	
Ambient temperature	-20 °C ... +70 °C
Storage temperature	-40 °C ... +80 °C
Mounting / Installation	
Mounting orientation	Vertical Horizontal
Mounting type	DIN rail or wall mounting

Technical Drawings – Subject to Alterations



System configuration

Dimensional Drawings (All Dimensions in mm [inches]) – Subject to Alterations



Typ 9195/16-...-..., 16 slots