



- Constant power supply for control circuits
- Protected against sustained short-circuit current, overload and idle running
- Corrosion-resistant enclosure material

E9

WebCode **8510Y**



The R. STAHL Series 8510 power supply provides a constant power supply for control circuits. It is protected against sustained short-circuit current, overload and idle running and is therefore extremely reliable in operation. It can be fitted in Ex e enclosures using an anti-vibration screw connection, easily accessible terminals simplify installation.

	IECEX / ATEX					
Zone	0	1	2	20	21	22
Installation in		•	•			

Selection Table							
Certificates Brazil (ULB), Canada (FM), China (CQST), IECEX (BVS), USA (FM)							
Input voltage	Input current	Output current	Output voltage	Ambient temperature	Product Type	Art. No.	Weight kg
100 to 120 V AC	1.6 A (100 A AC)	3 A	24.5 V DC	-10 °C ... +60 °C	8510/132-30-100-010	211091	2.600
100 to 240 V AC	1 A (100 A AC)	2.1 A	24.5 V DC	-10 °C ... +60 °C	8510/122-30-200-030	211142	2.600
	1.05 / 0.66 A AC (120 / 230 V)	2.5 A	24.5 V DC	-20 °C ... +60 °C	8510/132-30-400-030	215561	2.500
220 to 240 V AC	1.6 A (100 A AC)	3 A	24.5 V DC	-10 °C ... +60 °C	8510/132-30-100-020	211092	2.600
Certificates Brazil (ULB), China (CQST), IECEX (BVS)							
Input voltage	Input current	Output current	Output voltage	Ambient temperature	Product Type	Art. No.	Weight kg
100 to 240 V AC	0.7 to 0.5 A	1.3 A	24 V DC	-20 °C ... +60 °C	8510/131-30-300-030	213111	2.600

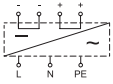
Technical Data	
Explosion Protection	
IECEX gas explosion protection	Ex de IIC
IECEX firedamp protection	Ex de I
ATEX gas explosion protection	Ⓜ II 2 G Ex de IIC
ATEX firedamp protection	Ⓜ I M2 Ex de I
ATEX firedamp protection 2	Ⓜ I M2 Ex I
Electrical Data	
Frequency Hz (for AC)	60 50
Mechanical Data	
Degree of protection (IP)	IP20

Technical Data

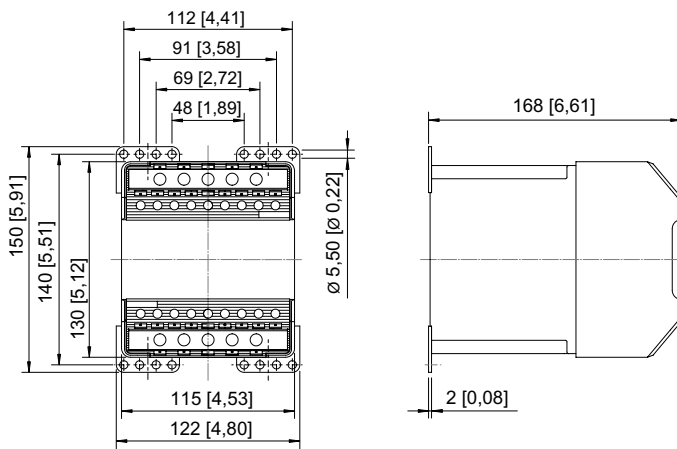
Mechanical Data

Enclosure material Epoxy resin

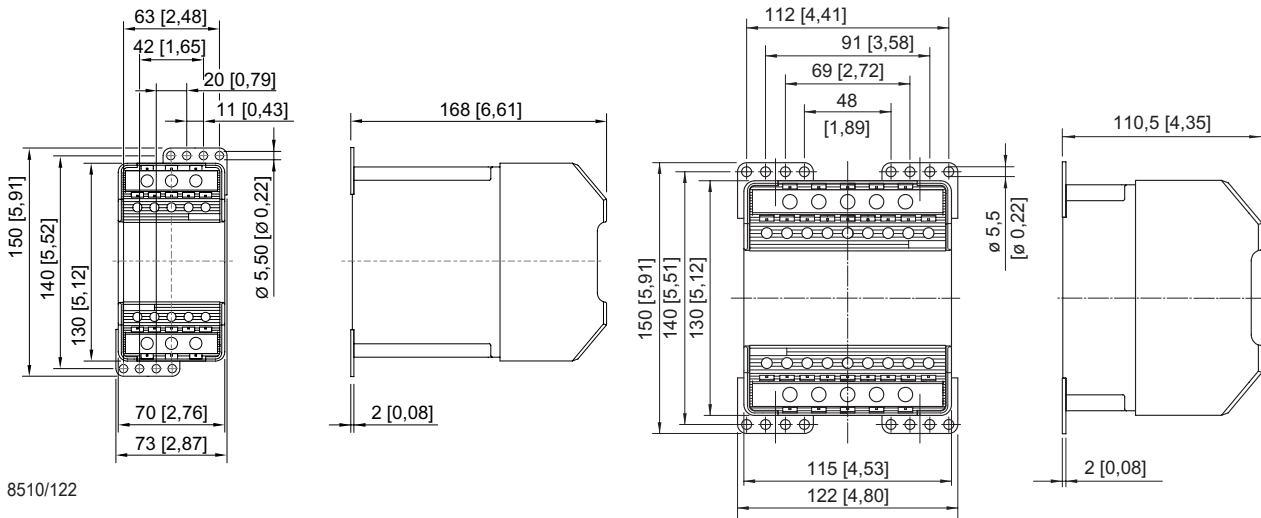
Technical Drawings – Subject to Alterations



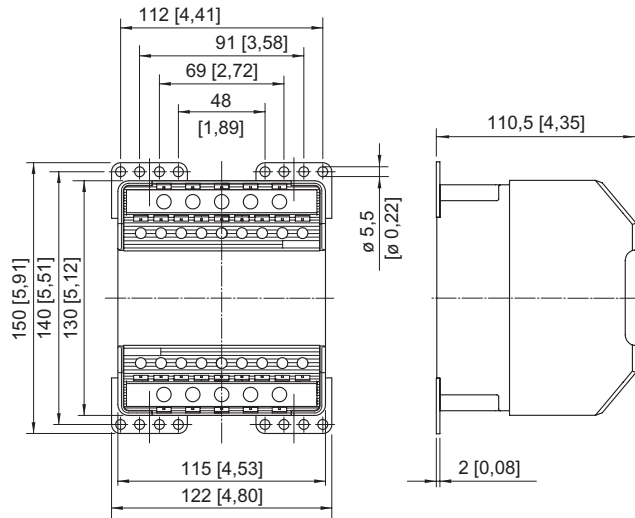
Dimensional Drawings (All Dimensions in mm [inches]) – Subject to Alterations



8510/132



8510/122



8510/131