



- Xenon versions: Rotating mirror beacon, rotating signal beacon, double flashing beacon (9+5 J), flashing beacon (15 J) with 20 W/ 35 W halogen lamps
- LED version: Continuous beacon and rotating signal beacon
- Seawater-resistant aluminium enclosure with glass dome
- Integrated Ex e connection chamber
- The glass dome is available in the following colours: Signal yellow, red, orange, blue, and clear

### MY R. STAHL 6162A



R. STAHL Series 6162 signal beacons are approved for use in hazardous areas of Zones 1, 2, 21 and 22. All models are equipped with an integrated connection chamber with "increased safety". In the rotating mirror beacons and the rotating signal beacons, a low-wear friction wheel gear operates, generating 180 light signals per minute. The maintenance-free LED light fittings have an extremely long service life of up to 50,000 hours thanks to innovative LED technology. In addition to the continuous beacon, there is also an LED rotating signal beacon. This does not wear because it does not have any movable components. The robust seawater-resistant aluminium enclosure ensures the IP66 degree of protection for all models.

	IECEX / ATEX					
Zone	0	1	2	20	21	22
Installation in		•	•		•	•

Selection Table							
Product variant	LED 360° signalling device						
Lamp	LED						
Power	3.6 W						
Lens colour	Gas temperature class	Dust max. surface temperature	Rated operational voltage DC	Rated operational voltage AC	Product Type	Art. No.	Weight
Amber	T6	70 °C	24 V	–	6162/18-55-611	219961	5.3 kg
		70 °C	–	115 – 230 V	6162/18-95-611	219976	5.3 kg
Red	T6	70 °C	24 V	–	6162/18-55-311	219959	5.3 kg
		70 °C	–	115 – 230 V	6162/18-95-311	219975	5.3 kg
Yellow	T6	70 °C	24 V	–	6162/18-55-111	219972	5.3 kg
		70 °C	–	115 – 230 V	6162/18-95-111	201903	5.3 kg
Product variant	LED continuous beacon						
Lamp	LED						
Power	5 W						
Lens colour	Gas temperature class	Dust max. surface temperature	Rated operational voltage DC	Rated operational voltage AC	Product Type	Art. No.	Weight
Amber	T6	70 °C	24 V	–	6162/19-55-611	203036	5.3 kg
		70 °C	–	115 – 230 V	6162/19-95-611	203037	5.3 kg
Red	T6	70 °C	24 V	–	6162/19-55-311	201880	5.3 kg
		70 °C	–	115 – 230 V	6162/19-95-311	219980	5.3 kg

**Selection Table**

Product variant		LED continuous beacon					
Lamp		LED					
Power		5 W					
Lens colour	Gas temperature class	Dust max. surface temperature	Rated operational voltage DC	Rated operational voltage AC	Product Type	Art. No.	Weight
Yellow	T6	70 °C	24 V	–	6162/19-55-111	201879	5.3 kg
		70 °C	–	115 – 230 V	6162/19-95-111	201901	5.3 kg
Product variant		Rotating beacon					
Lamp		Halogen lamp					
Power		35 W					
Lens colour	Gas temperature class	Dust max. surface temperature	Rated operational voltage DC	Rated operational voltage AC	Product Type	Art. No.	Weight
Amber	T4	105 °C	115 V	115 V	6162/18-32-611	241527	5.3 kg
Blue	T4	105 °C	115 V	115 V	6162/18-32-411	241526	5.3 kg
Clear	T4	105 °C	115 V	115 V	6162/18-32-211	241524	5.3 kg
Green	T4	105 °C	–	230 V	6162/18-12-711	241522	5.3 kg
		105 °C	115 V	115 V	6162/18-32-711	241528	5.3 kg
		105 °C	24 V	24 V	6162/18-62-711	241535	5.3 kg
Red	T4	105 °C	115 V	115 V	6162/18-32-311	241525	5.3 kg
Yellow	T4	105 °C	115 V	115 V	6162/18-32-111	241523	5.3 kg
Product variant		Rotating mirror beacon					
Lamp		Halogen lamp					
Power		35 W					
Lens colour	Gas temperature class	Dust max. surface temperature	Rated operational voltage DC	Rated operational voltage AC	Product Type	Art. No.	Weight
Amber	T3	150 °C	–	230 V	6162/17-12-611	219874	5.3 kg
Blue	T3	150 °C	24 V	24 V	6162/17-62-411	219936	5.3 kg
Green	T3	150 °C	–	230 V	6162/17-12-711	241477	5.3 kg
		150 °C	–	115 V	6162/17-32-711	241478	5.3 kg
		150 °C	24 V	24 V	6162/17-62-711	241480	5.3 kg
Red	T3	150 °C	–	230 V	6162/17-12-311	219897	5.3 kg
		150 °C	24 V	24 V	6162/17-62-311	219934	5.3 kg
Yellow	T3	150 °C	–	230 V	6162/17-12-111	219894	5.3 kg
		150 °C	–	115 V	6162/17-32-111	219879	5.3 kg
		150 °C	24 V	24 V	6162/17-62-111	219928	5.3 kg
Product variant		Rotating signal beacon					
Lamp		Halogen lamp					
Power		35 W					
Lens colour	Gas temperature class	Dust max. surface temperature	Rated operational voltage DC	Rated operational voltage AC	Product Type	Art. No.	Weight
Amber	T4	105 °C	–	230 V	6162/18-12-611	219956	5.3 kg
		105 °C	24 V	24 V	6162/18-62-611	219966	5.3 kg
Blue	T4	105 °C	–	230 V	6162/18-12-411	219955	5.3 kg
		105 °C	24 V	24 V	6162/18-62-411	219965	5.3 kg
Red	T4	105 °C	–	230 V	6162/18-12-311	219954	5.3 kg
		105 °C	24 V	24 V	6162/18-62-311	219964	5.3 kg
Yellow	T4	105 °C	–	230 V	6162/18-12-111	219952	5.3 kg
		105 °C	24 V	24 V	6162/18-62-111	219962	5.3 kg

**Selection Table**

Product variant		Xenon flashing beacon					
Lamp	Flashbulb	Flash rate	Flash tubes				
			15 J				
			1 Hz				
Lens colour	Gas temperature class	Dust max. surface temperature	Rated operational voltage DC	Rated operational voltage AC	Product Type	Art. No.	Weight
Amber	T6	75 °C	24 V	24 V	6162/15-64-611	219862	5.3 kg
		80 °C	–	230 – 240 V	6162/15-74-611	219867	5.3 kg
Blue	T6	75 °C	24 V	24 V	6162/15-64-411	219861	5.3 kg
		80 °C	–	230 – 240 V	6162/15-74-411	219866	5.3 kg
Clear	T6	75 °C	24 V	24 V	6162/15-64-211	219799	5.3 kg
		80 °C	–	230 – 240 V	6162/15-74-211	219864	5.3 kg
Red	T5	95 °C	–	110 – 127 V	6162/15-44-311	219795	5.3 kg
		75 °C	24 V	24 V	6162/15-64-311	219800	5.3 kg
	80 °C	–	230 – 240 V	6162/15-74-311	219865	5.3 kg	
Yellow	T6	75 °C	24 V	24 V	6162/15-64-111	219798	5.3 kg
		80 °C	–	230 – 240 V	6162/15-74-111	219863	5.3 kg

The light fittings are supplied without assembly parts or protective cage. These parts can be ordered separately as accessories.

**Technical Data**

Variant	Xenon flashing beacon T5	Xenon flashing beacon T6	LED 360° signalling device T6	LED continuous beacon T6
<b>Explosion Protection</b>				
IECEx gas explosion protection	Ex de IIC T.. Gb	Ex de IIC T.. Gb	Ex de IIC T.. Gb	Ex de IIC T.. Gb
IECEx dust explosion protection	Ex tb IIIC T.. Db	Ex tb IIIC T.. Db	Ex tb IIIC T.. Db	Ex tb IIIC T.. Db
ATEX gas explosion protection	⊕ II 2 G Ex de IIC T.. Gb	⊕ II 2 G Ex de IIC T.. Gb	⊕ II 2 G Ex de IIC T.. Gb	⊕ II 2 G Ex de IIC T.. Gb
ATEX dust explosion protection	⊕ II 2 D Ex tb IIIC T.. Db	⊕ II 2 D Ex tb IIIC T.. Db	⊕ II 2 D Ex tb IIIC T.. Db	⊕ II 2 D Ex tb IIIC T.. Db
Class	I (PE connection)	I (PE connection)	I (PE connection)	I (PE connection)
Notes	For temperature classes and surface temperatures, see the selection table			
<b>Ambient Conditions</b>				
Ambient temperature	-20 °C ... +40 °C (IIC T5) (T95 °C) -20 °C ... +50 °C ( T4) (T105 °C)	-20 °C ... +40 °C (IIC T6) (T75 °C) -20 °C ... +50 °C ( T6) (T75 °C)	-20 °C ... +40 °C (IIC T6) (T70 °C) -20 °C ... +50 °C ( T6) (T80 °C) -20 °C ... +60 °C (T5) (T90 °C)	-20 °C ... +40 °C (IIC T6) (T70 °C) -20 °C ... +50 °C ( T6) (T80 °C) -20 °C ... +60 °C (T5) (T90 °C)
<b>Mechanical Data</b>				
Degree of protection (IP) (IEC 60529)	IP66	IP66	IP66	IP66
Class	I (PE connection) (Internal + external)	I (PE connection) (Internal + external)	I (PE connection) (Internal + external)	I (PE connection) (Internal + external)
Enclosure material	Aluminium, powder-coated, Seawater-resistant	Aluminium, powder-coated, Seawater-resistant	Aluminium, powder-coated, Seawater-resistant	Aluminium, powder-coated, Seawater-resistant
Material dome	Glass Temperature-resistant	Glass Temperature-resistant	Glass Temperature-resistant	Glass Temperature-resistant
Terminal marking	PE + N + L1	PE + N + L1	PE + N + L1	PE + N + L1
Max. solid connection terminals	4 mm <sup>2</sup>	4 mm <sup>2</sup>	4 mm <sup>2</sup>	4 mm <sup>2</sup>
Max. finely stranded connection terminals	2.5 mm <sup>2</sup>	2.5 mm <sup>2</sup>	2.5 mm <sup>2</sup>	2.5 mm <sup>2</sup>
<b>Mounting / Installation</b>				
Connection type	Screw terminals, 3-pin	Screw terminals, 3-pin	Screw terminals, 3-pin	Screw terminals, 3-pin
<b>Components</b>				
Drilled holes	2 x M20	2 x M20	2 x M20	2 x M20
Cable glands and entries	1 x M20 x 1.5	1 x M20 x 1.5	1 x M20 x 1.5	1 x M20 x 1.5
Cable entry material	Polyamide, black	Polyamide, black	Polyamide, black	Polyamide, black
Stopping plugs	1 x M20 x 1.5	1 x M20 x 1.5	1 x M20 x 1.5	1 x M20 x 1.5

Technical Data				
Variant	Xenon flashing beacon T5	Xenon flashing beacon T6	LED 360° signalling device T6	LED continuous beacon T6
Components				
Stopping plug material	Polyamide, black	Polyamide, black	Polyamide, black	Polyamide, black
Wire guard	Can be ordered as accessories	Can be ordered as accessories	Can be ordered as accessories	Can be ordered as accessories

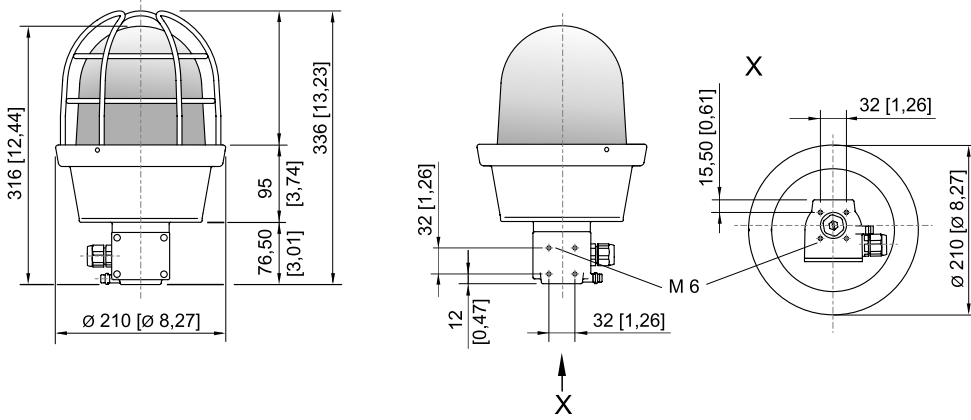
You can find more technical data online at [r-stahl.com](http://r-stahl.com). WebCode 6162A

Accessories				
Figure	Description	Art. No.	Weight	
<b>Mounting accessories</b>				
	Mounting plate for wall or floor mounting (stainless steel), incl. mounting screws	120821	158 g	
<b>Mounting bracket</b>				
	Material: Stainless steel, complete with mounting screws	120930	450 g	
<b>Pipe clamp</b>				
	R 1 1/2"	120920	560 g	
	R 1 1/4"	120919	520 g	
	R 2"	120921	600 g	
<b>Protective cage</b>				
	Material: Stainless steel, complete with mounting screws	120917	540 g	
<b>Stopping plug</b>				
	8290/3-M20 Plastic, M20 x 1.5 Lot size 1 piece	143522	7 g	
	8290/3-M20 Plastic, M20 x 1.5 Lot size 100 pieces	285773	500 g	
<b>Cable gland made of plastic</b>				
	8161/7-M20-1304, Ex e Plastic, M20 x 1.5, cable outer diameter 4 to 13 mm Lot size 50 pieces	239156	13 g	

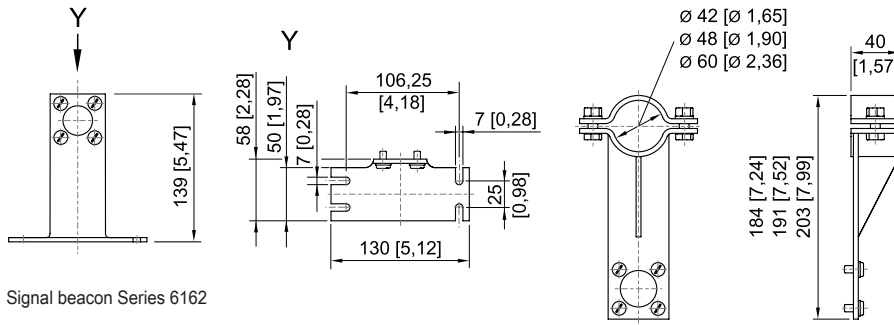
\* Purchase order quantity in [no. of units]; the delivery quantity is automatically rounded to the delivery lot.

Dimensional Drawings (All Dimensions in mm [inches]) – Subject to Alterations

E5

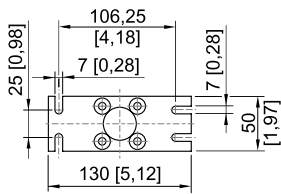


Signal beacon Series 6162



Signal beacon Series 6162

Pipe clamp



Mounting plate