



- Modular motor starters for all gas groups
- Control panels: Direct-On-Line Motor Starter DOL, YD, reversing contactor combinations
- Optional customer-specific equipping with main switches, main fuses and control devices

E7

WebCode **8220A**



R. STAHL Series 8220 standard motor starters are installed in Ex d enclosures and have an Ex e connection chamber enclosure. They are available in various control variants for rapid delivery. As an option, the control panels can be fitted with main switches, main fuses and control devices as per the customer's requirements.

	IECEX / ATEX					
Zone	0	1	2	20	21	22
Installation in		•	•		•	•

Selection Table				
Product Description		Direct-on-line motor starter (DOL)		
Terminal	Threaded holes on bottom	Product Type	Art. No.	Weight
-	-	8220/5-SM-ES5,5kW400V-T	142431	45 kg
-	-	8220/5-SM-ES11kW400V-T	142434	45 kg
-	-	8220/5-SM-ES15kW400V-T	142436	45 kg
-	-	8220/5-SM-ES18,5kW400V-T	142437	45 kg
-	-	8220/5-SM-ES22kW400V-T	142438	45 kg
-	-	8220/5-SM-ES30kW400V-T	142439	76 kg
-	-	8220/5-SM-ES37kW400V-T	142440	76 kg
-	-	8220/5-SM-ES45kW400V-T	142441	76 kg
-	-	8220/5-SM-ES55kW400V-T	142442	76 kg
-	-	8220/5-SM-ES7,5kW400V-T	142432	45 kg
-	-	8220/5-SM-ES75kW400V-T	142443	76 kg

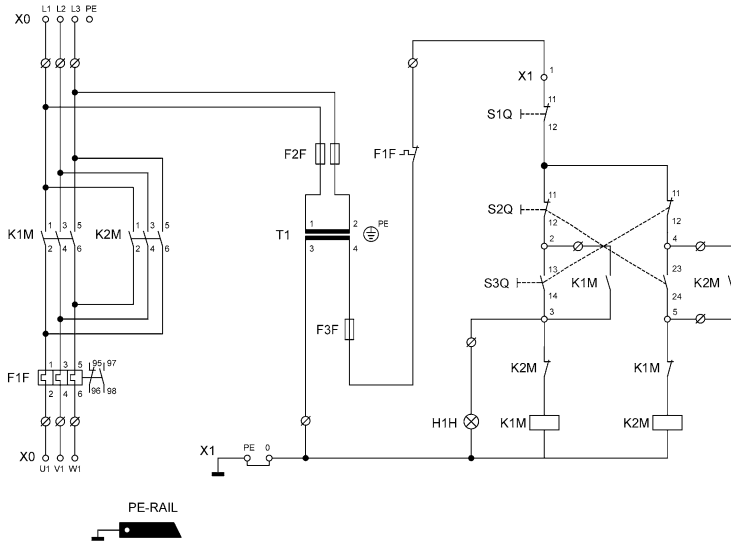
Selection Table				
Product Description		Reversing starter combination		
Terminal	Threaded holes on bottom	Product Type	Art. No.	Weight
-	-	8220/5-SL-WS11kW400V-T	142460	76 kg
-	-	8220/5-SL-WS15kW400V-T	142461	76 kg
-	-	8220/5-SL-WS18,5kW400V-T	142462	76 kg
-	-	8220/5-SL-WS22kW400V-T	142463	76 kg
-	-	8220/5-SL-WS30kW400V-T	142464	76 kg
-	-	8220/5-SL-WS37kW400V-T	142465	76 kg
-	-	8220/5-SL-WS45kW400V-T	142466	76 kg
-	-	8220/5-SL-WS5,5kW400V-T	142458	76 kg
-	-	8220/5-SL-WS55kW400V-T	142467	141 kg
-	-	8220/5-SL-WS7,5kW400V-T	142459	76 kg
-	-	8220/5-SL-WS75kW400V-T	142468	141 kg

Selection Table				
Product Description		YD star-delta contactor combination		
Terminal	Threaded holes on bottom	Product Type	Art. No.	Weight
-	-	8220/5-SL-SS15kW400V-T	142445	76 kg
-	-	8220/5-SL-SS200kW400V-T	142457	383 kg
-	-	8220/5-SL-SS30kW400V-T	142448	96 kg
-	-	8220/5-SL-SS110kW400V-T	142454	141 kg
-	-	8220/5-SL-SS11kW400V-T	142444	76 kg
-	-	8220/5-SL-SS132kW400V-T	142455	141 kg
-	-	8220/5-SL-SS160kW400V-T	142456	383 kg
-	-	8220/5-SL-SS18,5kW400V-T	142446	76 kg
-	-	8220/5-SL-SS22kW400V-T	142447	76 kg
-	-	8220/5-SL-SS37kW400V-T	142449	96 kg
-	-	8220/5-SL-SS45kW400V-T	142450	127 kg
-	-	8220/5-SL-SS55kW400V-T	142451	127 kg
-	-	8220/5-SL-SS75kW400V-T	142452	127 kg
-	-	8220/5-SL-SS90kW400V-T	142453	141 kg

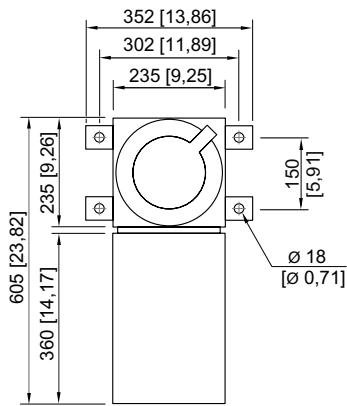
Standard motor starters with threaded holes; please order cable glands separately.

Technical Data	
Explosion Protection	
IECEx gas explosion protection	Ex db eb IIC T6 Gb
IECEx dust explosion protection	Ex tb IIIC T80 °C Db
ATEX gas explosion protection	Ⓜ II 2 G Ex db eb IIC T6 Gb
ATEX dust explosion protection	Ⓜ II 2 D Ex tb IIIC T80 °C Db
Electrical Data	
Rated operational voltage AC	400 V
Ambient Conditions	
Ambient temperature	-20 °C ... +40 °C
Mechanical Data	
IP degree of protection (IEC 60529)	IP66
Enclosure material	Sheet steel, painted
Enclosure colour	Light grey (RAL 7035)

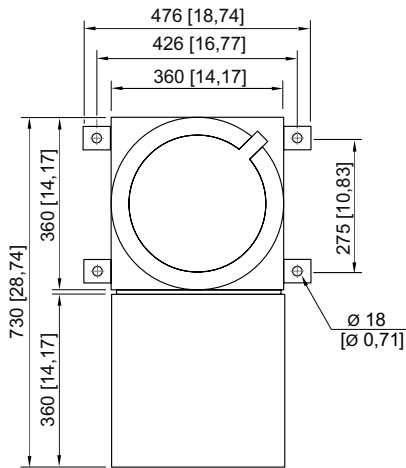
E7



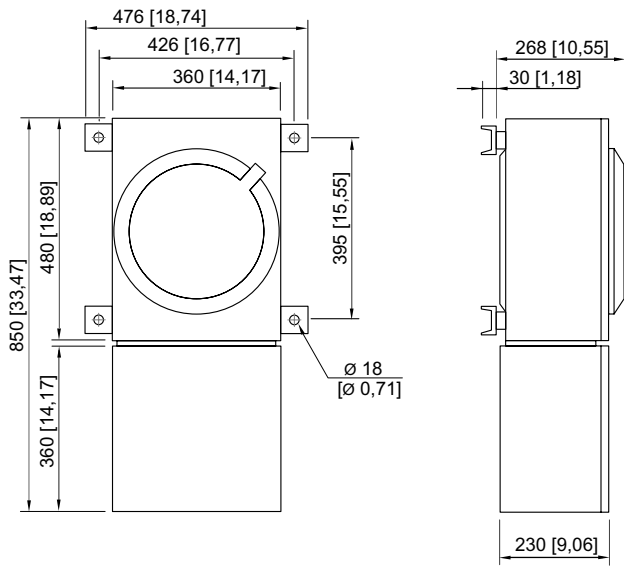
Dimensional Drawings (All Dimensions in mm [inches]) – Subject to Alterations



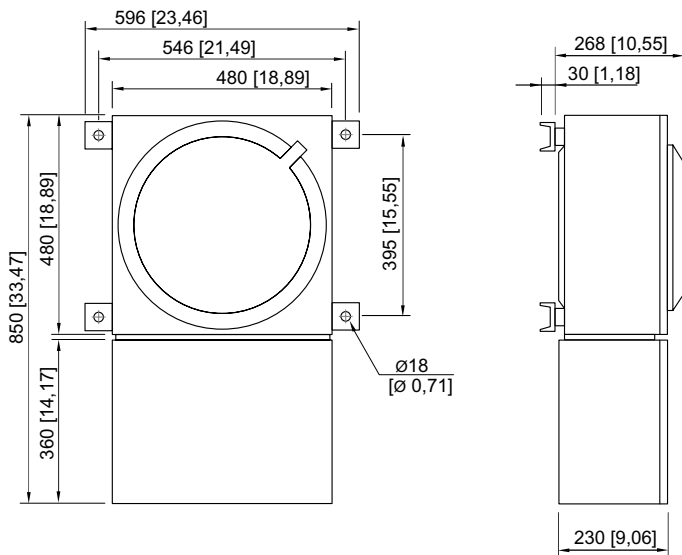
8220/112



8220/122

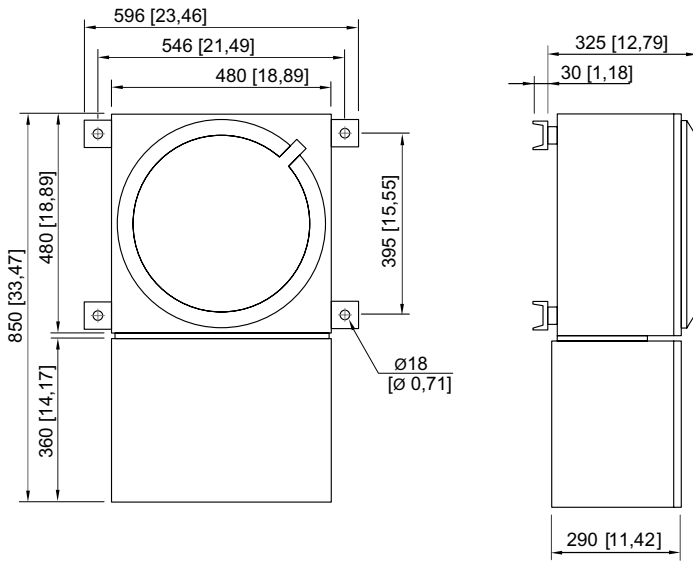


8220/172

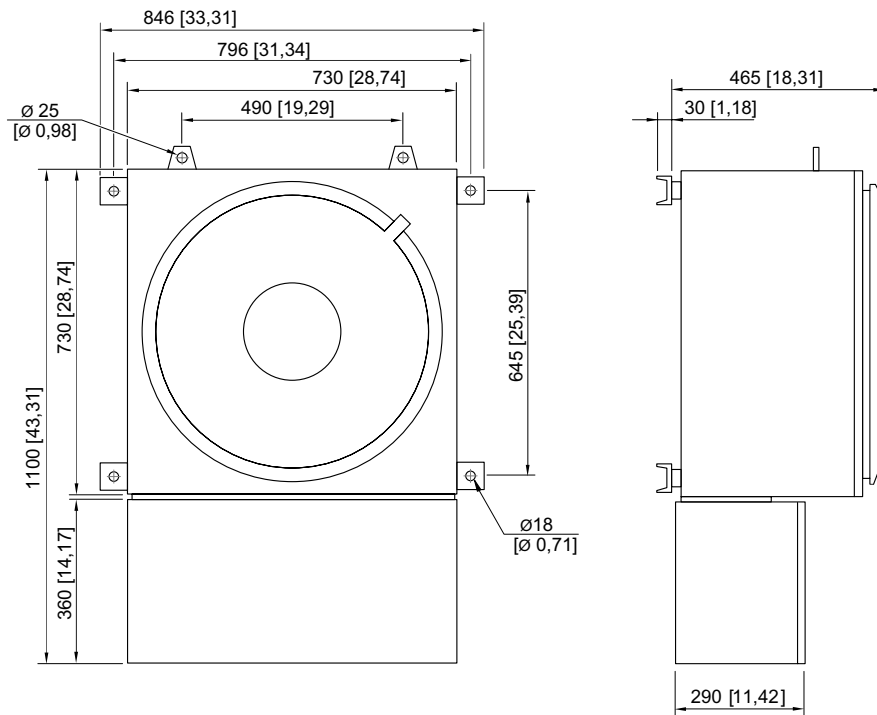


8220/132

E7



8220/133



8220/196