



- Type-tested standard components for time-delayed switching
- Time delays up to 300 hours, wide-range control voltage
- Recurrence and on-delay variants, also with time-delay function

E9

WebCode **85100**



The R. STAHL Series 8510 time relay is a type-tested standard component for time-delayed switching – with a delay of up to 300 hours. It is available in recurrence and on-delay variants, also with time-delay function (only Y-Δ time relay), and with various contact types. The corrosion-resistant enclosure and can be fitted in Ex e enclosures using an anti-vibration screw connection.

	IECEX / ATEX					
Zone	0	1	2	20	21	22
Installation in		•	•			

Selection Table							
Product variant		Double ON time relay with self-cleaning function					
Min. time range		0,05 s					
Max. time range		10 min					
Figure	DC rated actuation voltage	AC rated actuation voltage	Frequency Hz (for AC)	Auxiliary contacts	Product Type	Art. No.	Weight kg
	24 – 48 V	24 – 240 V	60 50	2 (2 NO)	8510/112-07-408-022	202159	1.250
Product variant		OFF delay relay without power supply					
Min. time range		0,05 s					
Max. time range		10 min					
Figure	DC rated actuation voltage	AC rated actuation voltage	Frequency Hz (for AC)	Auxiliary contacts	Product Type	Art. No.	Weight kg
	24 – 240 V	24 – 240 V	60 50	2 (2 change-over contacts)	8510/112-07-309-012	202156	1.250
Product variant		OFF delay relay with power supply					
Min. time range		0,05 s					
Max. time range		300 h					
Figure	DC rated actuation voltage	AC rated actuation voltage	Frequency Hz (for AC)	Auxiliary contacts	Product Type	Art. No.	Weight kg
	24 – 48 V	24 – 240 V	60 50	2 (2 change-over contacts)	8510/112-07-209-021	202157	1.250

Selection Table

Product variant	ON time relay, actuation of timing using supply voltage						
Min. time range	0,05 s						
Max. time range	300 h						
Figure	DC rated actuation voltage	AC rated actuation voltage	Frequency Hz (for AC)	Auxiliary contacts	Product Type	Art. No.	Weight kg
	24 – 240 V	24 – 240 V	60 50	2 (2 change-over contacts)	8510/112-07-109-011	202480	1.250

Function diagram

Description	Product Type	Function diagram
Double ON time relay with self-cleaning function Timing range: 0.05 s to 10 min	8510/112-07-408-022	
ON time relay, actuation of timing using supply voltage Timing range: 0.05 sec to 300 h	8510/112-07-109-011	
OFF delay relay with power supply Timing range: 0.05 s to 300 h	8510/112-07-209-021	
OFF delay relay without power supply Timing range: 0.05 s to 10 min	8510/112-07-309-012	

Technical Data

Explosion Protection	
IECEX gas explosion protection	Ex de IIC
IECEX firedamp protection	Ex de I
ATEX gas explosion protection	Ⓜ II 2 G Ex de IIC
ATEX firedamp protection	Ⓜ I M2 Ex de I
ATEX firedamp protection 2	Ⓜ I M2 Ex I
Certificates	Brazil (ULB), China (CQST), IECEx (BVS)
Ambient Conditions	
Ambient temperature	-20 °C ... +60 °C
Mechanical Data	
Degree of protection (IP)	IP20
Enclosure material	Epoxy resin

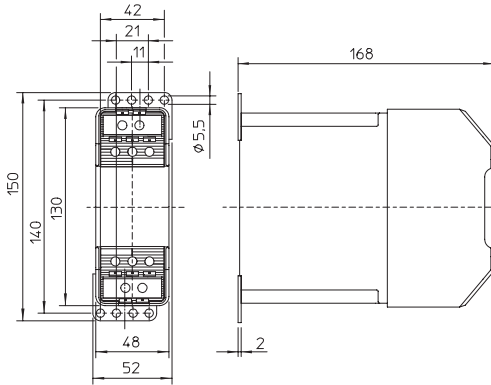
Technical Data

Mechanical Data

Type of connection cable	Solid Finely stranded
--------------------------	--------------------------

E9

Dimensional Drawings (All Dimensions in mm [inches]) – Subject to Alterations



8510/112