



- Space-saving two-channel variant reduces installation costs
- Simple to adjust using easy-to-access rotary switches
- For use up to SIL 2 (IEC 61508)

A3

## MY R. STAHL 9147A



Series 9147 vibration transducer power supply units connect vibration, acceleration and speed sensors to analysis systems. The measuring signals are galvanically separated when they are transmitted. They are transmitted at frequencies of up to 50 Hz. These devices have already been tested with numerous sensors from well-known manufacturers such as Bently Nevada and are in use in systems across the globe.

	IECEX / ATEX					
	0	1	2	20	21	22
Zone						
Ex interface	•	•	•	•	•	•
Installation in			•			

	NEC® 500 CE Code Appendix J					
	Class I		Class II		Class III	
	1	2	1	2	1	2
Division						
Ex interface	•	•	•	•	•	•
Installation in		•				

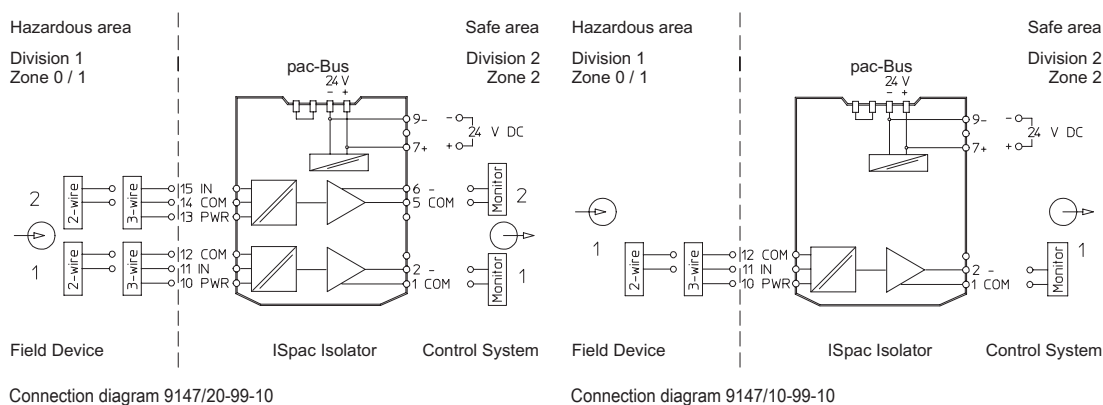
	CE Code Section 18					
	NEC® 505			NEC® 506		
	Class I					
	0	1	2	20	21	22
Zone						
Ex interface	•	•	•			
Installation in			•			

Selection Table					
Product variant	Vibration transducer supply unit				
Number of channels	Connection type	Product Type	Art. No.	Weight	
1	Screw terminal	9147/10-99-10s	212432	150 g	
	Spring clamp terminal	9147/10-99-10k	213112	150 g	
2	Screw terminal	9147/20-99-10s	212433	210 g	
	Spring clamp terminal	9147/20-99-10k	213113	150 g	

Technical Data	
Explosion Protection	
IECEX gas explosion protection	Ex ec [ja Ga] IIC T4 Gc
IECEX dust explosion protection	[Ex ia Da] IIIC
IECEX firedamp protection	[Ex ia Ma] I
ATEX gas explosion protection	⊕ II 3 (1) G Ex ec [ja Ga] IIC T4 Gc
ATEX dust explosion protection	⊕ II (1) D [Ex ia Da] IIIC
ATEX firedamp protection	⊕ I (M1) [Ex ia Ma] I
Certificates	ATEX (BVS), Canada (FM), China (NEPSI), IECEX (BVS), India (PESO), Korea (KTL), SIL (exida), USA (FM)
Ship approval	CCS, EU RO MR (DNV)
Declaration of Conformity	ATEX (EUK), China (CCC)
Installation	In Zone 2
Further information	See relevant certificate and operating instructions

Technical Data	
Safety Data	
Max. voltage $U_e$	26.3 V
Max. current $I_e$	88.3 mA
Max. power $P_e$	579 mW
Safety-related max. voltage	253 V
Functional Safety	
SIL	2
Electrical Data	
Output current for 2-wire operation	2.6/4.3/7.9 mA at -10 V
Output current for 3-wire operation	10 mA at -20 V; 20 mA at -17 V
Auxiliary Power	
Auxiliary power	24 V DC
Max. power dissipation	1.4 W
Input	
Input signal	-20 to -0.5 V
Function range input	-24 – 0 V
Input resistance	10 k $\Omega$
Output	
Output signal	-20 to -0.5 V
Signal transmission frequency range	0 – 50 kHz
Ambient Conditions	
Ambient temperature	-20 °C ... +70 °C (Single device) -20 °C ... +60 °C (Group assembly)
Storage temperature	-40 °C ... +80 °C
Mounting / Installation	
Mounting type	DIN rail NS35/15, NS35/7.5

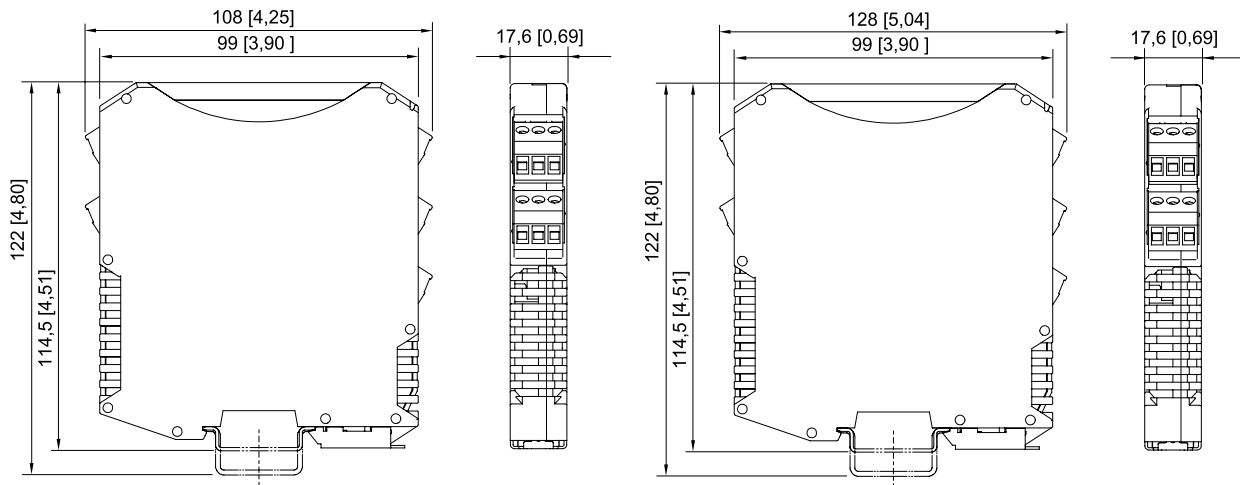
### Technical Drawings – Subject to Alterations



### Accessories

Figure	Description	Art. No.	Weight
Transparent cover			
	For 91xx ISpac modules Yellow, transparent Clear identification of the device for SIL applications. (Packaging unit: 10 pieces)	200914	20 g

Spare Parts				
Figure	Description	Art. No.	Weight	
<b>Screw terminal</b>				
	3-pole plug, screw connector thread: M3 stripping length: 7 mm colour: green	112817	5 g	
	3-pole plug, screw connector thread: M3 stripping length: 7 mm colour: black	112816	4 g	
	3-pole plug, screw connector thread: M3 stripping length: 7 mm colour: blue	112818	5 g	
<b>Screw terminal with test tap</b>				
	3-pole plug with test tap, screw connector thread: M3 stripping length: 7 mm colour: black	113005	1 g	
	3-pole plug with test tap, screw connector thread: M3 stripping length: 7 mm colour: blue	113004	1 g	
<b>Spring clamp terminal</b>				
	3-pole plug with test tap, spring clamp connection stripping length: 10 mm colour: green	112825	5 g	
	3-pole plug with test tap, spring clamp connection stripping length: 10 mm colour: black	112824	5 g	
	3-pole plug with test tap, spring clamp connection stripping length: 10 mm colour: blue	112826	5 g	



ISpac Series 9143, 9146, 9147, 9160, 9162, 9163, 9165, 9167, 9170, 9172, 9175, 9176, 9180, 9182, 9193, ISbus Series 9412 with screw terminal

ISpac Series 9146, 9147, 9160, 9162, 9163, 9165, 9167, 9170, 9172, 9175, 9176, 9180, 9182, 9193, ISbus Series 9412 with spring clamp terminal