

LED indicator lamp for front installation

Series 8010/6

STAHL



- Economical, advantageous LED technology: High luminance, low heat build-up, an extremely long service life and maintenance-free operation
- Easily visible light signals thanks to diffusers lenses in red, yellow, green, blue and white
- For use in temperatures as low as -60 °C

E4

WebCode 8010C

R. STAHL Series 8010 indicator lamps use a white LED with a diffuser lens, the light on which can be coloured red, yellow, green or blue using calottes. This means that important switching device signals can be easily identified even under poor lighting conditions. The indicator lamps are robust and suitable for use at temperatures as low as -60 °C.

	IECEX / ATEX					
Zone	0	1	2	20	21	22
Installation in		•	•			

	NEC® 500 CE Code Appendix J					
	Class I		Class II		Class III	
Division	1	2	1	2	1	2
Installation in		•		•		

	CE Code Section 18 NEC® 505 NEC® 506					
	Class I					
Zone	0	1	2	20	21	22
Installation in		•	•			

Selection Table				
Product Description	LED indicator lamp For front installation Ex e			
Rated operational voltage AC	12 – 230 V	Rated operational voltage DC	12 – 230 V	Art. No. 240900 Weight 30 g
Product Description	LED indicator lamp For front installation Ex i			
Rated operational voltage AC	10,8 – 24 V	Rated operational voltage DC	10,8 – 24 V	Art. No. 240901 Weight 30 g

Technical Data		
Variant	Ex e	Ex i
Explosion Protection		
IECEX gas explosion protection	Ex db eb IIC Gb	Ex db ia ib IIC Gb
IECEX firedamp protection	Ex db eb I Mb	Ex db ia/ib I Mb
ATEX gas explosion protection	Ⓢ II 2 G Ex db eb IIC Gb	Ⓢ II 2 G Ex db ia ib IIC Gb
ATEX firedamp protection	Ⓢ I M2 Ex db eb I Mb	Ⓢ I M2 Ex db ia/ib I Mb
Certificates	ATEX (PTB), Brazil (ULB), Canada (UL), China (CQST), IECEX (PTB), India (PESO), Korea (KTL), USA (UL)	ATEX (PTB), Brazil (ULB), China (CQST), IECEX (PTB), India (PESO), Korea (KTL)
Notes	Product label may vary. Series devices have certification according to ATEX, IECEX, NEC and CEC.	Product label may vary. Series devices have certification according to ATEX and IECEX.
Safety Data		
Max. capacitance Ci	Negligible	
Max. inductance Li	Negligible	
Max. voltage Ui	30 V	
Max. current Ii	150 mA	
Max. power Pi	1 W	

Technical Data		
Variant	Ex e	Ex i
Electrical Data		
Voltage tolerance	-10 to +10%	-10 to +10%
Frequency	0 to 60 Hz	0 to 60 Hz
Rated operational current	max. 12 mA	max. 20 mA
Max. rated operational power	1 W	1 W
Electrical service life	10 ⁵ lighting hours	10 ⁵ lighting hours
Ambient Conditions		
Ambient temperature	-60 °C ... +75 °C	-60 °C ... +80 °C
Ambient temperature	-76 °F ... +167 °F	-76 °F ... +176 °F
Ambient temperature NEC	-60 °C ... +75 °C (T6) -60 °C ... +90 °C (T5)	
Ambient temperature NEC	-76 °F ... +167 °F (T6) -76 °F ... +194 °F (T5)	
Operating temperature	-60 °C ... +85 °C	-60 °C ... +100 °C
Operating temperature	-76 °F ... +185 °F	-76 °F ... +212 °F
Operating temperature NEC	-60 °C ... +95 °C	
Operating temperature NEC	-76 °F ... +203 °F	
Lighting Data		
Lamp	White LED	White LED
Mechanical Data		
Degree of protection (IP) (IEC 60529)	IP20	IP20
Enclosure material	Polyamide	Polyamide
Silicone-free	Yes	Yes
Solid connection cross section	0.32 – 2.5 mm ²	0.32 – 2.5 mm ²
Connection cross-section AWG single stranded	AWG22 - AWG14	AWG22 - AWG14
Finely stranded connection cross section	0.32 – 2.5 mm ²	0.32 – 2.5 mm ²
Finely stranded connection cross-section AWG	AWG22 - AWG14	AWG22 - AWG14
Connection cross-section, finely stranded with core end sleeve	0.32 – 2.5 mm ²	0.32 – 2.5 mm ²
Connection cross-section, finely stranded with core end sleeve AWG	AWG22 - AWG14	AWG22 - AWG14
Mounting / Installation		
Tightening torque	1.2 Nm	1.2 Nm
Tightening torque lbf in	10.62 lbf in	10.62 lbf in
Connection	Screw terminal	Screw terminal

Accessories			
Figure	Description	Art. No.	Weight
Indicator lamp bezel BG054			
	Diameter 39 mm All colours Silicone-free: Yes	223122	24 g
	Diameter 39 mm All colours Silicone-free: No	223123	24 g

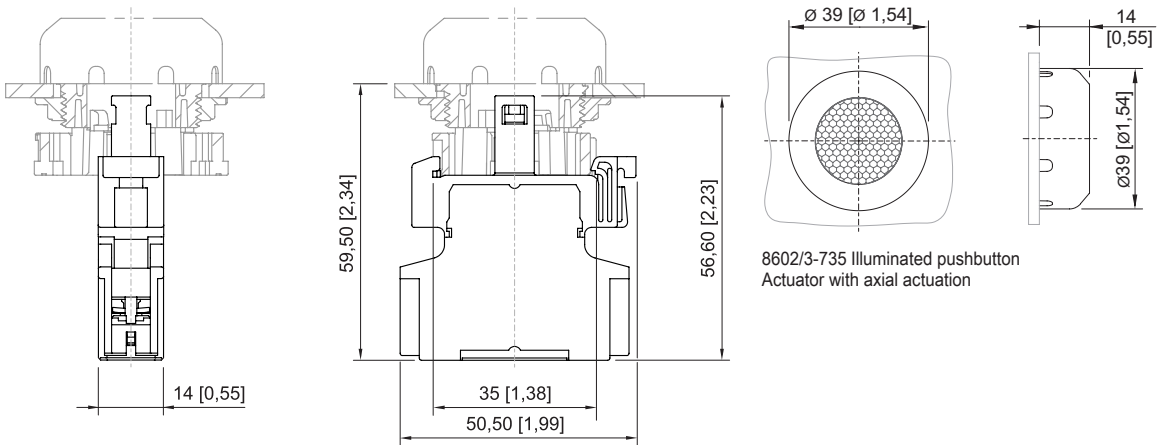
Accessories

Figure	Description	Art. No.	Weight
Illuminated pushbutton (spring return) BG735			
	Ø 39 mm Black All colours Silicone-free: Yes	244654	35 g
	Ø 39 mm Black All colours Silicone-free: No	244655	35 g

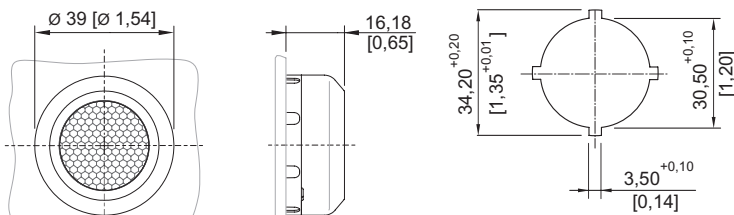
Spare Parts

Figure	Description	Art. No.	Weight
Adaptor for front installation			
	8602/3 Front installation for indicator lamp series 8010/6 and contact element series 8082/3	227038	8 g
Holder for front installation			
	8602/3 holder for cable duct	248673	50 g

Dimensional Drawings (All Dimensions in mm [inches]) – Subject to Alterations

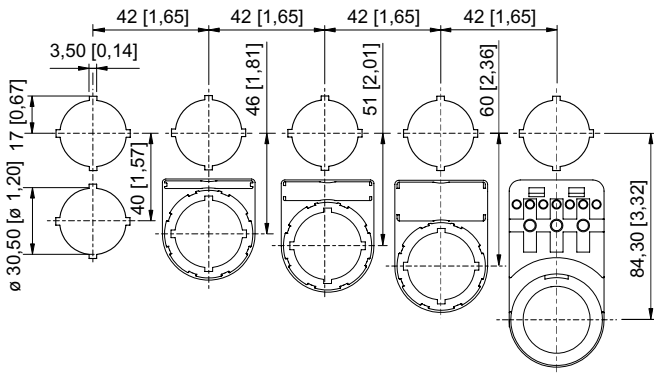


LED indicating lamp



8602/3-054 Indicator lamp bezel
Actuator without actuation

E4



Cut-out with / without front label