

# LED indicator lamp for installation on mounting rail

Series 8010/6 Simple apparatus

STAHL



- Efficient, beneficial LED technology: High luminance, low heat build-up, extremely high service life, maintenance-free
- Easily visible light signals thanks to diffuser lenses in red, yellow, green, blue and white
- Usable at temperatures as low as -60 °C

04

## WebCode 8010E

The series 8010 indicator lamps from R. STAHL use a white LED with a diffuser lens, the light from which can be also be coloured red, yellow, green and blue using calottes. This means that important signals from a switchgear are easily visible, even in poor lighting conditions. The indicator lamps are robust and can be used at temperatures as low as -60 °C.

### Selection Table

Product Description		LED indicator lamp For mounting rail mounting Simple apparatus	
Rated operational voltage DC		Art. No.	Weight
12 V		278796	34 g

### Technical Data

Safety Data	
Max. capacitance Ci	Negligible
Max. inductance Li	Negligible
Max. voltage U <sub>i</sub>	60 V
Max. current I <sub>i</sub>	200 mA
Max. power P <sub>i</sub>	1.3 W
Electrical Data	
Frequency	0 to 60 Hz
Rated operational current	max. 20 mA
Max. rated operational power	1 W
Electrical service life	10 <sup>5</sup> lighting hours
Ambient Conditions	
Ambient temperature	-60 °C ... +80 °C
Ambient temperature	-76 °F ... +176 °F
Operating temperature	-60 °C ... +100 °C
Operating temperature	-76 °F ... +212 °F
Lighting Data	
Lamp	White LED
Mechanical Data	
Degree of protection (IP) (IEC 60529)	IP20
Enclosure material	Polyamide
Silicone-free	Yes
Solid connection cross section	0.32 – 2.5 mm <sup>2</sup>
Connection cross-section AWG single stranded	AWG22 - AWG14
Finely stranded connection cross section	0.32 – 2.5 mm <sup>2</sup>

### Technical Data

#### Mechanical Data

Finely stranded connection cross-section AWG22 - AWG14  
AWG

Connection cross-section, finely stranded with core end sleeve 0.32 – 2.5 mm<sup>2</sup>

Connection cross-section, finely stranded with core end sleeve AWG AWG22 - AWG14

#### Mounting / Installation

Tightening torque 1.2 Nm

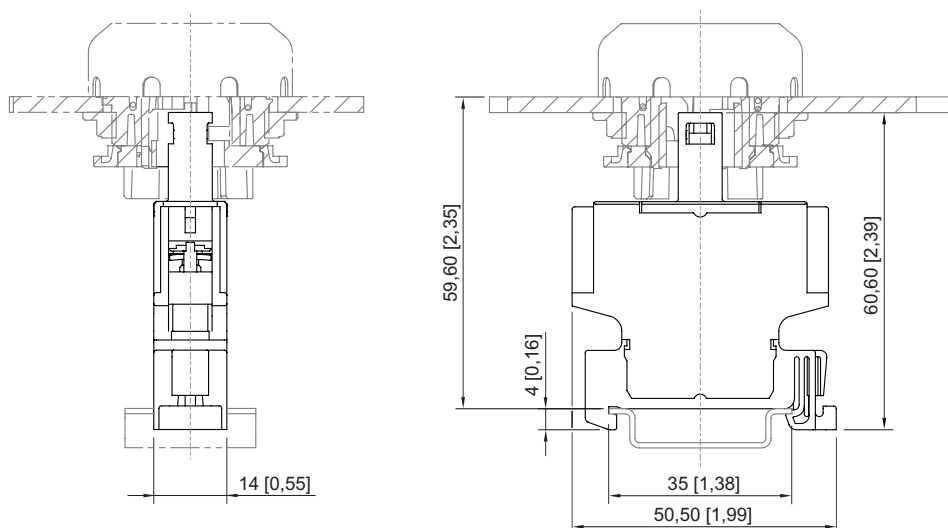
Tightening torque lbf in 10.62 lbf in

Connection Screw terminal

### Accessories

Figure	Description	Art. No.	Weight
<b>Indicator lamp bezel BG054</b>			
	Diameter 39 mm All colours Silicone-free: Yes	223122	24 g
	Diameter 39 mm All colours Silicone-free: No	223123	24 g
<b>Illuminated pushbutton (spring return) BG735</b>			
	Ø 39 mm Black All colours Silicone-free: Yes	244654	35 g
	Ø 39 mm Black All colours Silicone-free: No	244655	35 g

### Dimensional Drawings (All Dimensions in mm [inches]) – Subject to Alterations



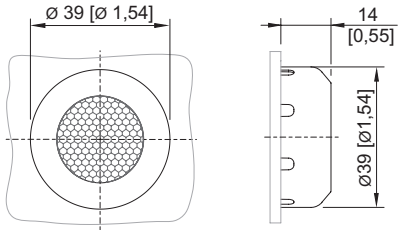
LED indicating lamp

# LED indicator lamp for installation on mounting rail

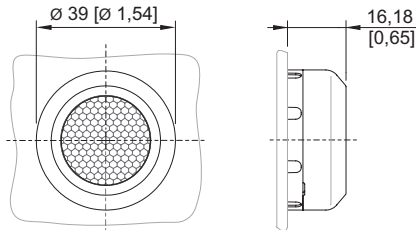
Series 8010/6 Simple apparatus



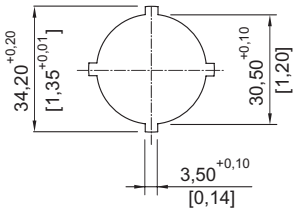
04



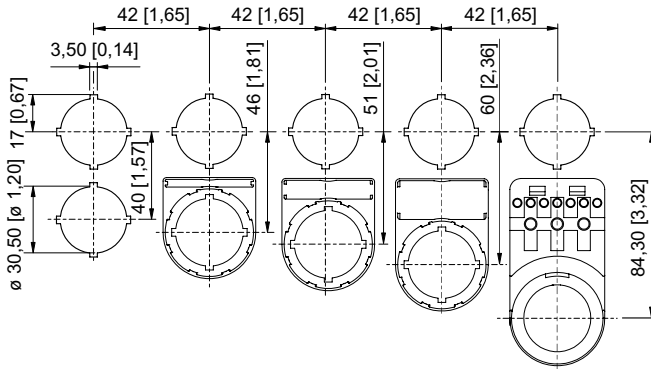
8602/3-735 Illuminated pushbutton  
Actuator with axial actuation



8602/3-054 Indicator lamp bezel  
Actuator without actuation



Cut-out details



Cut-out with / without front label