



- For connecting 8 intrinsically safe (FISCO/Entity) fieldbus devices in Zone 1
- Operation on a high-power trunk
- Reduced start-up current thanks to power management and short-circuit limiting with disconnection

A5

## MY R. STAHL 9411D



Series 9411/21 Ex i field device couplers for Zone 1 with galvanic separation are used for interference-free connection of 8 FF H1 or PROFIBUS PA field devices to the high-power trunk. The spurs with the ia type of protection can be used for fieldbus devices in Zone 1 (FISCO/Entity) and are protected by a short-circuit limiting function.

The integrated power management minimises start-up and short-circuit currents.

Available with screw or spring clamp terminals.

	IECEX / ATEX					
Zone	0	1	2	20	21	22
Ex interface	•	•	•	•	•	•
Installation in		•	•			

	NEC® 500 CE Code Appendix J					
	Class I		Class II		Class III	
Division	1	2	1	2	1	2
Ex interface	•		•		•	
Installation in		•				

	CE Code Section 18					
	NEC® 505			NEC® 506		
	Class I					
Zone	0	1	2	20	21	22
Ex interface	•		•	•		
Installation in		•				

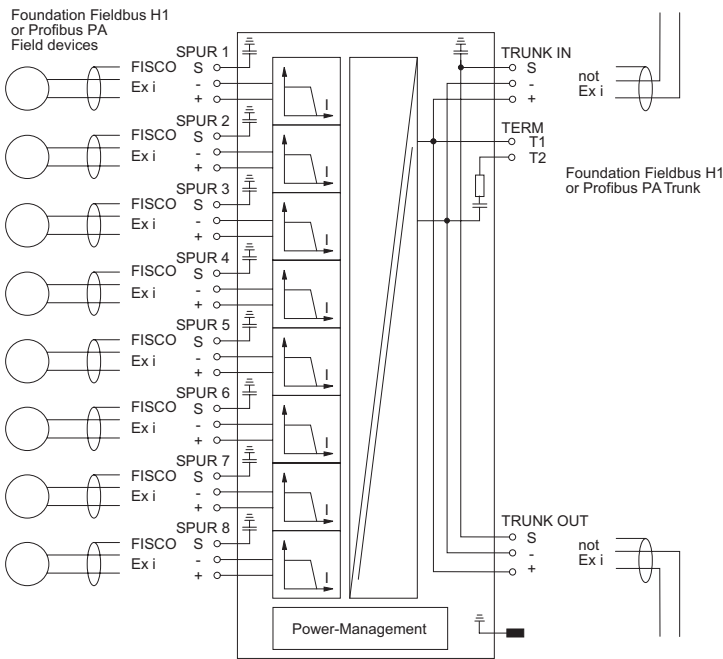
Selection Table					
Product Description		ISbus fieldbus technology Field device coupler, 8 spurs For Zone 1 Ex i			
Spurs connections	Spurs connection type	Product Type	Art. No.	Weight	
8	Detachable screw terminal	9411/21-230-41	206829	890 g	
	Screw terminals	9411/21-210-41	161887	890 g	

Field devices made of polyester or stainless steel: Customer-specific solutions on request.

Technical Data	
<b>Explosion Protection</b>	
IECEX gas explosion protection	Ex mb e ib [ia Ga] IIC T4 Gb
IECEX dust explosion protection	[Ex ia Da] IIIC
ATEX gas explosion protection	⊕ II 2 (1) G Ex mb e ib [ia Ga] IIC T4 Gb
ATEX dust explosion protection	⊕ II (1) D [Ex ia Da] IIIC
Certificates	ATEX (BVS), Brazil (ULB), Canada (FM), IECEX (BVS), India (PESO), International (FF), USA (FM)
Declaration of Conformity	ATEX (EUK)
<b>Auxiliary Power</b>	
Max. power dissipation	1.8 W
Notes	Auxiliary power not required; the field device coupler is supplied from the trunk
<b>Input</b>	
Voltage range	16 – 32 V

Technical Data	
Output	
Output voltage	Min. 10 V at 41 mA
Max. continuous output current DC	20 mA
Ambient Conditions	
Ambient temperature	-40°C ... +75°C
Mechanical Data	
Field enclosure	Without, DIN rail mounting


### Technical Drawings – Subject to Alterations



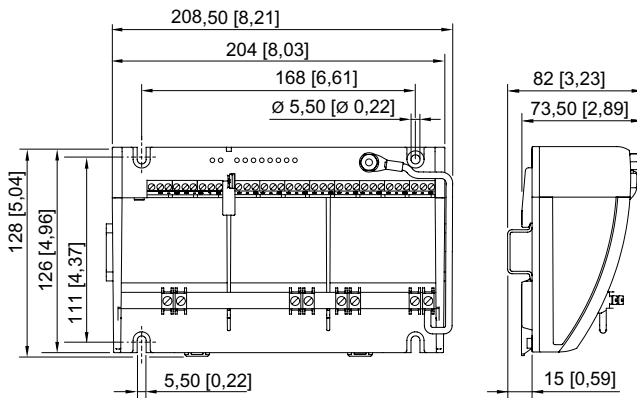
Connection diagram 9411/2.

Accessories			
Figure	Description	Art. No.	Weight
Earthing rail set for 8 spurs			
	9411 earthing rail with spring clamp clips	202775	200 g
	9411 earthing rail with screw terminals	161930	90 g
Fieldbus power supply			
	Fieldbus power supply and diagnostics	200586	135 g

## Accessories

Figure	Description	Art. No.	Weight
Fieldbus wizard engineering tool			
	Engineering tool for project engineering for Foundation Fieldbus or PROFIBUS PA fieldbus segments Download from r-stahl.com	-	-

## Dimensional Drawings (All Dimensions in mm [inches]) – Subject to Alterations



Field device coupler, 8 spurs, without enclosure