



- Pushbutton, mushroom pushbutton, mushroom stay-put button with key lock, mushroom stay-put button, twin pushbutton and illuminated pushbutton, rotary actuator, key-operated switch, potentiometer bezel and indicator lamp bezel
- One axial actuator can actuate up to four 8082 series contact elements
- Key-operated switches and rotary switches codable at any time as "latching/spring return" or "key not removable"

WebCode **8602A**



Thanks to their special technical features, the actuators from the 8602/3 series can withstand the most extreme conditions. In addition to the application option for use in ambient temperatures from -60 °C to +70 °C, the IP degree of protection, IP66, is maintained in accordance with EN 60529. It is also possible to actuate up to four contact elements from the 8082 series with a single axial actuator from the 8602/3 series. The coding option of the key switches and rotary switches is innovative and one-of-a-kind. Integrated coding allows you to adjust the "latching/spring return" and/or "key not removable" functions at any time without additional accessories. A versatile set of accessories consisting of label holders and locking devices is available.

	IECEX / ATEX					
Zone	0	1	2	20	21	22
Installation in		•	•		•	•

	NEC 500 CEC Appendix J					
	Class I		Class II		Class III	
Division	1	2	1	2	1	2
Installation in		•		•		

	CEC Section 18					
	NEC® 505			NEC® 506		
	Class I					
Zone	0	1	2	20	21	22
Installation in		•	•		•	•

Selection Table						
Product Description Assembly Description note		Illuminated pushbutton Spring return 735 Pressure plate for 3 contact elements enclosed.				
Figure	Description	Silicone-free	Product Type	Art. No.	Weight kg	
	Ø 39 mm All colours	Yes	8602C3-735-B-C06	244654	0.035	
		No	8602C3-735-S-C06	244655	0.035	
Product Description Assembly		Indicator lamp bezel 054				
Figure	Description	Silicone-free	Product Type	Art. No.	Weight kg	
	Ø 39 mm All colours	Yes	8602C3-054-B-C06	223122	0.024	
		No	8602C3-054-S-C06	223123	0.024	

Selection Table


Product Description: Key-operated switch actuator
 Assembly: 008
 Description note: With the installed coding elements, conversion to the "spring return" or "key not removable" function is possible. Additional closures on request. 2 keys enclosed. Pressure plates for 1-2 and 3-4 contact elements enclosed.

Figure	Description	Silicone-free	Product Type	Art. No.	Weight kg
	Ø 39 mm Black Closing: MS1 Number of switching positions: 2 Switching function: Latching / Latching	Yes	8602C3-008-B-M01-02-MS01	244573	0.050
	Ø 39 mm Black Closing: MS2 Number of switching positions: 2 Switching function: Latching / Latching	Yes	8602C3-008-B-M01-02-MS02	272935	0.060
	Ø 39 mm Black Closing: MS3 Number of switching positions: 2 Switching function: Latching / Latching	Yes	8602C3-008-B-M01-02-MS03	274089	0.050
	Ø 39 mm Black Closing: MS4 Number of switching positions: 2 Switching function: Latching / Latching	Yes	8602C3-008-B-M01-02-MS04	272936	0.060
	Ø 39 mm Black Closing: MS1 Number of switching positions: 2 Switching function: Latching / Latching	No	8602C3-008-S-M01-02-MS01	244574	0.050
	Ø 39 mm Black Closing: MS2 Number of switching positions: 2 Switching function: Latching / Latching	No	8602C3-008-S-M01-02-MS02	270418	0.050
	Ø 39 mm Black Closing: MS3 Number of switching positions: 2 Switching function: Latching / Latching	No	8602C3-008-S-M01-02-MS03	270419	0.050
	Ø 39 mm Black Closing: MS4 Number of switching positions: 2 Switching function: Latching / Latching	No	8602C3-008-S-M01-02-MS04	270420	0.050

Selection Table					
Product Description Assembly Description note	Key-operated switch actuator 008 With the installed coding elements, conversion to the "spring return" or "key not removable" function is possible. Additional closures on request. 2 keys enclosed. Pressure plates for 1-2 and 3-4 contact elements enclosed.				

Figure	Description	Silicone-free	Product Type	Art. No.	Weight kg
	Ø 39 mm Black Closing: MS1 Number of switching positions: 3 Switching function: Latching / Latching / Latching	Yes	8602C3-008-B-M03-03-MS01	244632	0.050
	Ø 39 mm Black Closing: MS2 Number of switching positions: 3 Switching function: Latching / Latching / Latching	Yes	8602C3-008-B-M03-03-MS02	274090	0.050
	Ø 39 mm Black Closing: MS3 Number of switching positions: 3 Switching function: Latching / Latching / Latching	Yes	8602C3-008-B-M03-03-MS03	274091	0.050
	Ø 39 mm Black Closing: MS4 Number of switching positions: 3 Switching function: Latching / Latching / Latching	Yes	8602C3-008-B-M03-03-MS04	274092	0.050
	Ø 39 mm Black Closing: MS1 Number of switching positions: 3 Switching function: Latching / Latching / Latching	No	8602C3-008-S-M03-03-MS01	244633	0.050
	Ø 39 mm Black Closing: MS2 Number of switching positions: 3 Switching function: Latching / Latching / Latching	No	8602C3-008-S-M03-03-MS02	270421	0.050
	Ø 39 mm Black Closing: MS3 Number of switching positions: 3 Switching function: Latching / Latching / Latching	No	8602C3-008-S-M03-03-MS03	270422	0.050
	Ø 39 mm Black Closing: MS4 Number of switching positions: 3 Switching function: Latching / Latching / Latching	No	8602C3-008-S-M03-03-MS04	270423	0.050

Product Description Assembly Description note	Large rotary actuator Black - black 731 Lockable option (max. 3 times) can be determined using the enclosed closing parts. Lockable handle position: 45°. In the unmounted assemblies, the standard label is 0/OFF-I/ON and the long coupling part is enclosed. Other labels must be ordered separately.				
---	---	--	--	--	--

Figure	Description	Silicone-free	Product Type	Art. No.	Weight kg
	Ø 65 mm Handle colour: Black Protective collar colour: Black Designation plate: 0/OFF - I/ON Lockable in: 45° Not installed	Yes	8602C3-731-B-45X-E08	227225	0.040
		No	8602C3-731-S-45X-E08	227226	0.040

Selection Table

Product Description Assembly Description note		Large rotary actuator Black - black 731 Lockable option (max. 3 times) can be determined using the enclosed closing parts. Lockable handle position: 90°. In the unmounted assemblies, the standard label is 0/OFF-I/ON and the long coupling part is enclosed. Other labels must be ordered separately.			
Figure	Description	Silicone-free	Product Type	Art. No.	Weight kg
	Ø 65 mm Handle colour: Black Protective collar colour: Black Designation plate: 0/OFF – I/ON Lockable in: 90° Pre-installed	Yes	8602C3-731-B-90X-E02	251125	0.040
	Ø 65 mm Handle colour: Black Protective collar colour: Black Designation plate: 0/OFF – I/ON Lockable in: 90° Not installed	Yes	8602C3-731-B-90X-E08	227223	0.040
	Ø 65 mm Handle colour: Black Protective collar colour: Black Designation plate: 0/OFF – I/ON Lockable in: 90° Pre-installed	No	8602C3-731-S-90X-E02	251126	0.040
	Ø 65 mm Handle colour: Black Protective collar colour: Black Designation plate: 0/OFF – I/ON Lockable in: 90° Not installed	No	8602C3-731-S-90X-E08	227224	0.040
Product Description Assembly Description note		Large rotary actuator Increased height, BK-BK 728 Lockable option (max. 3 times) can be determined using the enclosed closing parts. Lockable handle position: 0°; safety switch. In the unmounted assemblies, the standard label is 0/OFF-I/ON and the long coupling part is enclosed. Other labels must be ordered separately.			
Figure	Description	Silicone-free	Product Type	Art. No.	Weight kg
	Ø 65 mm Handle colour: Black Protective collar colour: Black Designation plate: 0/OFF – I/ON Lockable in: 0° Pre-installed	No	8602C3-728-S-00X-E02	253174	0.040
	Product Description Assembly Description note		Large rotary actuator Increased height, BK-BK 728 Lockable option (max. 3 times) can be determined using the enclosed closing parts. Lockable handle position: 45°. In the unmounted assemblies, the standard label is 0/OFF-I/ON and the long coupling part is enclosed. Other labels must be ordered separately.		
Figure	Description	Silicone-free	Product Type	Art. No.	Weight kg
	Ø 65 mm Handle colour: Black Protective collar colour: Black Designation plate: 0/OFF – I/ON Lockable in: 45° Not installed	Yes	8602C3-728-B-45X-E08	227213	0.040

Selection Table					
Product Description Assembly Description note		Large rotary actuator Increased height, BK-BK 728 Lockable option (max. 3 times) can be determined using the enclosed closing parts. Lockable handle position: 90°. In the unmounted assemblies, the standard label is 0/OFF-I/ON and the long coupling part is enclosed. Other labels must be ordered separately.			
Figure	Description	Silicone-free	Product Type	Art. No.	Weight kg
	Ø 65 mm Handle colour: Black Protective collar colour: Black Designation plate: 0/OFF – I/ON Lockable in: 90° Pre-installed	Yes	8602C3-728-B-90X-E02	227207	0.040
	Ø 65 mm Handle colour: Black Protective collar colour: Black Designation plate: 0/OFF – I/ON Lockable in: 90° Not installed	Yes	8602C3-728-B-90X-E08	227211	0.040
	Ø 65 mm Handle colour: Black Protective collar colour: Black Designation plate: 0/OFF – I/ON Lockable in: 90° Pre-installed	No	8602C3-728-S-90X-E02	227208	0.040
Product Description Assembly Description note		Large rotary actuator Increased height, red-yellow 729 Lockable option (max. 3 times) can be determined using the enclosed closing parts. Lockable handle position: 0°; safety switch. In the unmounted assemblies, the standard label is 0/OFF-I/ON and the long coupling part is enclosed. Other labels must be ordered separately.			
Figure	Description	Silicone-free	Product Type	Art. No.	Weight kg
	Ø 65 mm Handle colour: Red Protective collar colour: Yellow Designation plate: 0/OFF – I/ON Lockable in: 0° Pre-installed	No	8602C3-729-S-00X-E02	253175	0.040
Product Description Assembly Description note		Large rotary actuator Increased height, red-yellow 729 Lockable option (max. 3 times) can be determined using the enclosed closing parts. Lockable handle position: 45°. In the unmounted assemblies, the standard label is 0/OFF-I/ON and the long coupling part is enclosed. Other labels must be ordered separately.			
Figure	Description	Silicone-free	Product Type	Art. No.	Weight kg
	Ø 65 mm Handle colour: Red Protective collar colour: Yellow Designation plate: 0/OFF – I/ON Lockable in: 45° Not installed	Yes	8602C3-729-B-45X-E08	227217	0.040
		No	8602C3-729-S-45X-E08	227218	0.040

Selection Table

Product Description Assembly Description note	Large rotary actuator Increased height, red-yellow 729 Lockable option (max. 3 times) can be determined using the enclosed closing parts. Lockable handle position: 90°. In the unmounted assemblies, the standard label is 0/OFF-I/ON and the long coupling part is enclosed. Other labels must be ordered separately.				
---	--	--	--	--	--

Figure	Description	Silicone-free	Product Type	Art. No.	Weight kg
	Ø 65 mm Handle colour: Red Protective collar colour: Yellow Designation plate: 0/OFF – I/ON Lockable in: 90° Pre-installed	Yes	8602C3-729-B-90X-E02	227209	0.040
	Ø 65 mm Handle colour: Red Protective collar colour: Yellow Designation plate: 0/OFF – I/ON Lockable in: 90° Not installed	Yes	8602C3-729-B-90X-E08	227215	0.040
	Ø 65 mm Handle colour: Red Protective collar colour: Yellow Designation plate: 0/OFF – I/ON Lockable in: 90° Pre-installed	No	8602C3-729-S-90X-E02	227210	0.040
	Ø 65 mm Handle colour: Red Protective collar colour: Yellow Designation plate: 0/OFF – I/ON Lockable in: 90° Not installed	No	8602C3-729-S-90X-E08	227216	0.040

Product Description Assembly Description note	Large rotary actuator Maxi Black - black 736 Lockable option (max. 3 times) can be determined using the enclosed closing parts. Lockable handle position: Not defined. In the unmounted assemblies, the standard label is 0/OFF-I/ON; 0-EIN; AUS-AUTO-EIN; AUTO-0-BETRIEB-I and the long coupling part is enclosed. Other labels must be ordered separately.				
---	---	--	--	--	--

Figure	Description	Silicone-free	Product Type	Art. No.	Weight kg
	Ø 64 mm Handle colour: Black Protective collar colour: Black Designation plate: Multiple labels Lockable in: xx° not defined Pre-installed	Yes	8602C3-736-B-XXX-E99	276630	0.070
		No	8602C3-736-S-XXX-E99	270811	0.070

Product Description Assembly Description note	Large rotary actuator Maxi Red - yellow 737 Lockable option (max. 3 times) can be determined using the enclosed closing parts. Lockable handle position: Not defined. In the unmounted assemblies, the standard label is 0/OFF-I/ON; 0-EIN; AUS-AUTO-EIN; AUTO-0-BETRIEB-I and the long coupling part is enclosed. Other labels must be ordered separately.				
---	--	--	--	--	--

Figure	Description	Silicone-free	Product Type	Art. No.	Weight kg
	Ø 64 mm Handle colour: Red Protective collar colour: Yellow Designation plate: Multiple labels Lockable in: xx° not defined Pre-installed	Yes	8602C3-737-B-XXX-E99	276672	0.070
		No	8602C3-737-S-XXX-E99	276671	0.070

Selection Table					
Product Description Assembly Description note		Large rotary actuator Red - yellow 730 Lockable option (max. 3 times) can be determined using the enclosed closing parts. Lockable handle position: 45°. In the unmounted assemblies, the standard label is 0/OFF-I/ON and the long coupling part is enclosed. Other labels must be ordered separately.			
Figure	Description	Silicone-free	Product Type	Art. No.	Weight kg
	Ø 65 mm Handle colour: Red Protective collar colour: Yellow Designation plate: 0/OFF - I/ON Lockable in: 45° Not installed	Yes	8602C3-730-B-45X-E08	227221	0.040
Product Description Assembly Description note		Large rotary actuator Red - yellow 730 Lockable option (max. 3 times) can be determined using the enclosed closing parts. Lockable handle position: 90°. In the unmounted assemblies, the standard label is 0/OFF-I/ON and the long coupling part is enclosed. Other labels must be ordered separately.			
Figure	Description	Silicone-free	Product Type	Art. No.	Weight kg
	Ø 65 mm Handle colour: Red Protective collar colour: Yellow Designation plate: 0/OFF - I/ON Lockable in: 90° Pre-installed	Yes	8602C3-730-B-90X-E02	251123	0.040
	Ø 65 mm Handle colour: Red Protective collar colour: Yellow Designation plate: 0/OFF - I/ON Lockable in: 90° Not installed	Yes	8602C3-730-B-90X-E08	227219	0.040
	Ø 65 mm Handle colour: Red Protective collar colour: Yellow Designation plate: 0/OFF - I/ON Lockable in: 90° Pre-installed	No	8602C3-730-S-90X-E02	251124	0.040
	Ø 65 mm Handle colour: Red Protective collar colour: Yellow Designation plate: 0/OFF - I/ON Lockable in: 90° Not installed	No	8602C3-730-S-90X-E08	227220	0.040
Product Description Assembly		Mushroom pushbutton 55 mm Black 703			
Figure	Description	Silicone-free	Product Type	Art. No.	Weight kg
	Ø 55 mm Black Designation plate: Black, blank disc without text	Yes	8602C3-703-B	244642	0.055
		No	8602C3-703-S	244643	0.055
Product Description Assembly		Mushroom pushbutton 55 mm Red 014			
Figure	Description	Silicone-free	Product Type	Art. No.	Weight kg
	Ø 55 mm Black/red Designation plate: Red, blank disc without text	Yes	8602C3-014-B	244634	0.055
		No	8602C3-014-S	244635	0.055



Selection Table					
Product Description Assembly		Mushroom pushbutton Black 003			
Figure	Description	Silicone-free	Product Type	Art. No.	Weight kg
	Ø 39 mm Black Designation plate: Black, blank disc without text	Yes	8602C3-003-B	244563	0.050
		No	8602C3-003-S	244564	0.050
Product Description Assembly		Mushroom pushbutton Red 004			
Figure	Description	Silicone-free	Product Type	Art. No.	Weight kg
	Ø 39 mm Red/black Designation plate: Red, blank disc without text	Yes	8602C3-004-B	244565	0.050
		No	8602C3-004-S	244566	0.050
Product Description Assembly		Mushroom stay-put button 55 mm EM-STOP 015			
Figure	Description	Silicone-free	Product Type	Art. No.	Weight kg
	Ø 55 mm Yellow/red Designation plate: With yellow backing plate	Yes	8602C3-015-B	244636	0.055
		No	8602C3-015-S	244637	0.055
Product Description Assembly		Mushroom stay-put button Black 012			
Figure	Description	Silicone-free	Product Type	Art. No.	Weight kg
	Ø 39 mm Black	Yes	8602C3-012-B	223699	0.050
		No	8602C3-012-S	223700	0.050
Product Description Assembly		Mushroom stay-put button EM-STOP 010			
Figure	Description	Silicone-free	Product Type	Art. No.	Weight kg
	Ø 39 mm Yellow/red Designation plate: With yellow backing plate	No	8602C3-010-S	223698	0.050
		Yes	8602C3-010-B	223697	0.050

Selection Table					
Product Description		Mushroom stay-put button With key			
Assembly		006			
Description note		2 keys enclosed.			
Figure	Description	Silicone-free	Product Type	Art. No.	Weight kg
	Ø 39 mm Red/black Closing: MS1	Yes	8602C3-006-B .. MS1	223695	0.075
	Ø 39 mm Red/black Closing: MS2	Yes	8602C3-006-B .. MS2	270409	0.075
	Ø 39 mm Red/black Closing: MS3	Yes	8602C3-006-B .. MS3	270410	0.075
	Ø 39 mm Red/black Closing: MS4	Yes	8602C3-006-B .. MS4	270411	0.075
	Ø 39 mm Red/black Closing: MS1	No	8602C3-006-S .. MS1	223696	0.075
	Ø 39 mm Red/black Closing: MS2	No	8602C3-006-S .. MS2	270412	0.075
	Ø 39 mm Red/black Closing: MS3	No	8602C3-006-S .. MS3	270413	0.075
	Ø 39 mm Red/black Closing: MS4	No	8602C3-006-S .. MS4	270414	0.075

Selection Table					
Product Description Assembly		Mushroom stay-put button With key EM-STOP 009			
Description note		2 keys enclosed.			
Figure	Description	Silicone-free	Product Type	Art. No.	Weight kg
	Ø 39 mm Yellow/red Designation plate: With yellow backing plate Closing: MS1	Yes	8602C3-009-B .. MS1	223693	0.075
	Ø 39 mm Yellow/red Designation plate: With yellow backing plate Closing: MS2	Yes	8602C3-009-B .. MS2	274099	0.750
	Ø 39 mm Yellow/red Designation plate: With yellow backing plate Closing: MS3	Yes	8602C3-009-B .. MS3	274100	0.750
	Ø 39 mm Yellow/red Designation plate: With yellow backing plate Closing: MS4	Yes	8602C3-009-B .. MS4	274101	0.750
	Ø 39 mm Yellow/red Designation plate: With yellow backing plate Closing: MS1	No	8602C3-009-S .. MS1	223694	0.075
	Ø 39 mm Yellow/red Designation plate: With yellow backing plate Closing: MS2	No	8602C3-009-S .. MS2	270415	0.075
	Ø 39 mm Yellow/red Designation plate: With yellow backing plate Closing: MS3	No	8602C3-009-S .. MS3	270416	0.075
	Ø 39 mm Yellow/red Designation plate: With yellow backing plate Closing: MS4	No	8602C3-009-S .. MS4	270417	0.075
Product Description Assembly		Pushbutton 001			
Figure	Description	Silicone-free	Product Type	Art. No.	Weight kg
	Ø 39 mm Black Designation plate: Black, blank disc without text	Yes	8602C3-001-B	223691 ▲	0.034
		No	8602C3-001-S	223692 ▲	0.034
Product Description Assembly		Rotary actuator (potentiometer) 092 Labels provided separately.			
Figure	Description	Silicone-free	Product Type	Art. No.	Weight kg
	Ø 39 mm Black Designation plate: 0 to 6, 0 to 10, and 0 to 100	Yes	8602C3-092-B-P04	244640	0.035
		No	8602C3-092-S-P04	244641	0.035

Selection Table					
Product Description Assembly Description note		Rotary actuator, small Not padlockable 726 With the installed coding elements, conversion to the "spring return" function is possible. Standard label enclosed separately. Different labels must be ordered separately. Pressure plates for 1-2 and 3-4 contact elements enclosed.			
Figure	Description	Silicone-free	Product Type	Art. No.	Weight kg
	Ø 39 mm Black Designation plate: 0/OFF – I/ON Number of switching positions: 2 Lockable in: Not padlockable Switching function: Latching / Latching	Yes	8602C3-726-B-M01-02-E08	244646	0.040
		No	8602C3-726-S-M01-02-E08	244647	0.040
	Ø 39 mm Black Designation plate: I – 0 – II Number of switching positions: 3 Lockable in: Not padlockable Switching function: Latching / Latching / Latching	Yes	8602C3-726-B-M03-03-E03	244648	0.040
		No	8602C3-726-S-M03-03-E03	244649	0.040
Product Description Assembly Description note		Rotary actuator, small Not padlockable 732 Label 0/OFF-I/ON enclosed separately. Different labels must be ordered separately.			
Figure	Description	Silicone-free	Product Type	Art. No.	Weight kg
	Ø 39 mm Black Designation plate: 0/OFF – I/ON Lockable in: Not padlockable	Yes	8602C3-732-B-90G-E08	264001	0.040
		No	8602C3-732-S-90G-E08	264002	0.040
Product Description Assembly Description note		Rotary actuator, small Padlockable 727 With the installed coding elements, conversion to the "spring return" function is possible. Standard label enclosed separately. Different labels must be ordered separately. Cylinder lock not enclosed. Pressure plates for 1-2 and 3-4 contact elements enclosed.			
Figure	Description	Silicone-free	Product Type	Art. No.	Weight kg
	Ø 39 mm Black Designation plate: 0/OFF – I/ON Number of switching positions: 2 Lockable in: One pos. with one lock Switching function: Latching / Latching	Yes	8602C3-727-B-M01-02-E08	244650	0.040
		No	8602C3-727-S-M01-02-E08	244651	0.040
	Ø 39 mm Black Designation plate: I – 0 – II Number of switching positions: 3 Lockable in: One pos. with one lock Switching function: Latching / Latching / Latching	Yes	8602C3-727-B-M03-03-E03	244652	0.040
		No	8602C3-727-S-M03-03-E03	244653	0.040
Product Description Assembly Description note		Rotary actuator, small Padlockable 734 0/OFF-I/ON label provided separately. Cylinder lock not enclosed. Other labels must be ordered separately.			
Figure	Description	Silicone-free	Product Type	Art. No.	Weight kg
	Ø 39 mm Black Designation plate: 0/OFF – I/ON Lockable in: One pos. with one lock	Yes	8602C3-734-B-45H-E08	227391	0.040
		No	8602C3-734-S-45H-E08	227392	0.040

Selection Table

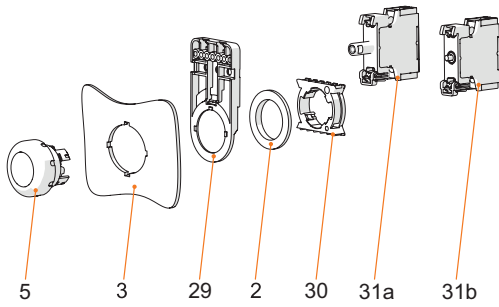
Product Description Assembly Description note		Rotary actuator, small Padlockable 734 0/OFF-I/ON label provided separately. Cylinder lock not enclosed. Other labels must be ordered separately.			
Figure	Description	Silicone-free	Product Type	Art. No.	Weight kg
	Ø 39 mm Black Designation plate: 0/OFF – I/ON Lockable in: One pos. with one lock	Yes	8602C3-734-B-90H-E08	227359	0.040
		No	8602C3-734-S-90H-E08	227360	0.040
Product Description Assembly Description note		Twin pushbutton 023 Select other labels from the accessories.			
Figure	Description	Silicone-free	Product Type	Art. No.	Weight kg
	Black	Yes	8602C3-023-B	244638	0.045
		No	8602C3-023-S	244639	0.045

Technical Data

Variant	Actuators with standard seal	Actuators with silicone seal
Explosion Protection		
IECEX gas explosion protection	Ex eb IIC Gb	Ex eb IIC Gb
IECEX dust explosion protection	Ex tb IIIC Db	Ex tb IIIC Db
ATEX gas explosion protection	⊕ II 2 G Ex eb IIC Gb	⊕ II 2 G Ex eb IIC Gb
ATEX dust explosion protection	⊕ II 2 D Ex tb IIIC Db	⊕ II 2 D Ex tb IIIC Db
Certificates	ATEX (PTB), Brazil (ULB), Canada / USA (UL), EAC (ENDCE), IECEX (PTB), India (PESO), Korea (KGS)	ATEX (PTB), Brazil (ULB), Canada / USA (UL), EAC (ENDCE), IECEX (PTB), India (PESO), Korea (KGS)
Ambient Conditions		
Ambient temperature	-20 °C ... +60 °C	-60 °C ... +70 °C
Ambient temperature	-4 °F ... +140 °F	-76 °F ... +158 °F
Storage temperature	-13 °F ... +140 °F	-76 °F ... +158 °F
Storage temperature	-25 °C ... +60 °C	-60 °C ... +70 °C
Degree of contamination	3	3
Notes	Actuators with silicone seals have coloured labels on the bottom.	
Mechanical Data		
Degree of protection (IP)	IP66	IP66
Note on degree of protection	According to IEC/EN 60529	According to IEC/EN 60529
Enclosure material	Polyamide	Polyamide
Service life, min.	10 ⁸ actuations	10 ⁸ actuations
Mounting / Installation		
Tightening torque	3 Nm	3 Nm

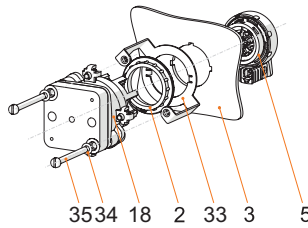
Technical Drawings – Subject to Alterations

E4



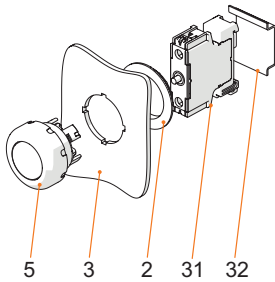
Front installation mounting with indication lamp series 8010/6 and contact element series 8082/3

Legend
 2 = Jam nut (order no. 205592) 3 = Installation wall (wall thickness max. 5 mm [0.197 in]) 5 = Actuator with seal
 29 = Cable duct carrier (optional) (order no. 248673)
 30 = Adaptor (order no. 227038) 31a = Built-in element: LED element 8010/6 31b = Built-in element: Contact element 8082/3



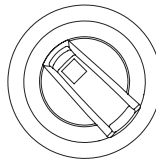
Front installation mounting with control switch series 8008

Legend
 2 = Jam nut (order no. 205592)
 3 = Installation wall (wall thickness max. 2 mm [0.0787in])
 5 = Actuator 8302/3 with seal (4)
 18 = Control switch 8008/2-
 33 = Adaptor 8602/3 for front installation for type 8008/2
 34 = Disc M4
 35 = Screw M4x

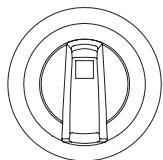


Mounting rail mounting

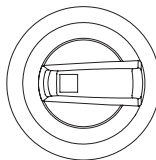
Legend
 2 = Jam nut (order no. 205592) 3 = Installation wall (wall thickness max. 5 mm [0.197 in]) 5 = Actuator with seal
 31 = Built-in element 32 = Mounting rail TS35



Explanation position display:
 standard switch, lockable in I/OFF
 handle position 45°



Explanation position display:
 safety switch, lockable in I/ON
 handle position 0°




Explanation position display:
 standard switch, lockable in I/OFF
 handle position 90°










Accessories












Figure	Description	Art. No.	Weight kg
Spare key			
	Closing MS1	107109 ▲	0.008
	Closing MS2	272645	0.008
	Closing MS3	272646	0.008
	Closing MS4	272647	0.008

Accessories

Figure	Description	Art. No.	Weight kg
Cylinder lock			
	for closing (bracket Ø 3)	107115	0.015





Spare Parts

Figure	Description	Art. No.	Weight kg
Locking devices			
	8602C3-752 for actuated mushroom stay-put button BG010, BG012	244869	0.090
	8602C3-753 for not actuated pushbutton BG001	244870	0.090
	8602C3-754 for actuated pushbutton BG001	244871	0.090
	8602C3-755 for not actuated pushbutton BG001	244872	0.090
	8602C3-756 for actuated mushroom stay-put button BG010, BG012	244873	0.090
	8602C3-758 for not actuated mushroom stay-put button BG010, BG012	244874	0.090
Insert discs for label holder			
	1-line Plain Material: PVC Colour: White Self-adhesive	238271	0.010
	2-line Plain Material: PVC Colour: White Self-adhesive	238272	0.010
	3-line Plain Material: PVC Colour: White Self-adhesive	238273	0.010
Label, yellow, general			
	for Ø 39 actuator (EM-STOP)	223571	0.001

Spare Parts			
Figure	Description	Art. No.	Weight kg
Label, yellow, general			
	for Ø 55 actuator (EM-STOP)	223572	0.001
	for special, Ø 55 actuator (EM-STOP), e.g. series 8040	223573	0.001
Labels for small BG 732, BG 734 rotary actuator			
	Ø 30.8 0/OFF I/ON	227489	0.002
	Ø 30.8 0 I	227490	0.002
	Ø 30.8 I 0 II	227491	0.002
	Ø 30.8 0 I	227492	0.002
	Ø 30.8 HAND 0 AUTO	227494	0.002
	Ø 30.8 AUS EIN	269983	0.002
	Ø 30.8 AUTO 0 HAND EIN	269984	0.002
	Ø 30.8 AUTO 0 HAND	269985	0.002
Labels for small BG 732, BG 734 rotary actuator and BG 726, BG 727 axial rotary actuator			
	Ø 30.8 plain	227495	0.002

Spare Parts			
Figure	Description	Art. No.	Weight kg
Labels for axial BG 726, BG 727 rotary actuator			
	Ø 30.8 0/OFF I/ON	240472	0.002
	Ø 30.8 I 0 II	240474	0.002
	Ø 30.8 0 I	240475	0.002
	Ø 30.8 HAND 0 AUTO	240477	0.002
Labels for BG 092 rotary actuator			
	Ø 30.8 0-6	227496	0.002
	Ø 30.8 0-10	227497	0.002
	Ø 30.8 0-100	227498	0.002
Labels for large BG 728, BG 729, BG 730, BG 731 rotary actuator			
	Ø 58 0/OFF I/ON	227004	0.002
	Ø 58 0 BETRIEB I	227005	0.002
	Ø 58 0 I II	227006	0.002
	Ø 58 I 0 II	227007	0.002

Spare Parts			
Figure	Description	Art. No.	Weight kg
Labels for large BG 728, BG 729, BG 730, BG 731 rotary actuator			
	Ø 58 I II	227008	0.002
	Ø 58 0 I	227009	0.002
	Ø 58 I 0 I 0	227010	0.002
	Ø 58 HAND 0 AUTO	227011	0.002
	Ø 58 0/OFF I/ON	227012	0.002
	Ø 58, yellow 0/OFF I/ON	227013	0.002
	Ø 58 0 I (90°)	273760	0.002
	Ø 58 plain	227014	0.002
Labels for BG 736, BG 737 rotary actuator			
	Ø 58.5 0/OFF I/ON	274882	0.002
	Ø 58.5 0 BETRIEB I	263982	0.002
	Ø 58.5 0 ON	270806	0.002


Spare Parts			
Figure	Description	Art. No.	Weight kg
Labels for BG 736, BG 737 rotary actuator			
	Ø 58.5 OFF AUTO ON	270807	0.002
	Ø 58.5 AUTO 0 BETRIEB I	270808	0.002
Designation plate for pushbutton and selector switch			
	Black Text: O	227741	0.001
	Black Text: I	227747	0.001
	Black Text: II	227754	0.001
	Black Symbol: Straight arrow 45°	227778	0.001
	Black Text: EIN	227808	0.001
	Black Text: AUS	227811	0.001
	Blue Text: RESET	227926	0.001
	Green Text: I	227750	0.001
	Green Text: II	227753	0.001

Spare Parts			
Figure	Description	Art. No.	Weight kg
Designation plate for pushbutton and selector switch			
	Green Text: START	227801	0.001
	Red Text: STOP	227804	0.001
	Red Text: AUS	227810	0.001
	Red Text: OFF	227814	0.001
	Red Text: O	227740	0.001
	White Text: I	227751	0.001
	Black Blank disc without text	215425	0.001
	Blue Blank disc without text	215427	0.001
	Green Blank disc without text	215424	0.001
	Red Blank disc without text	215423	0.001
	Red Symbol: Right arrow	272628	0.001
	White Blank disc without text	215426	0.001

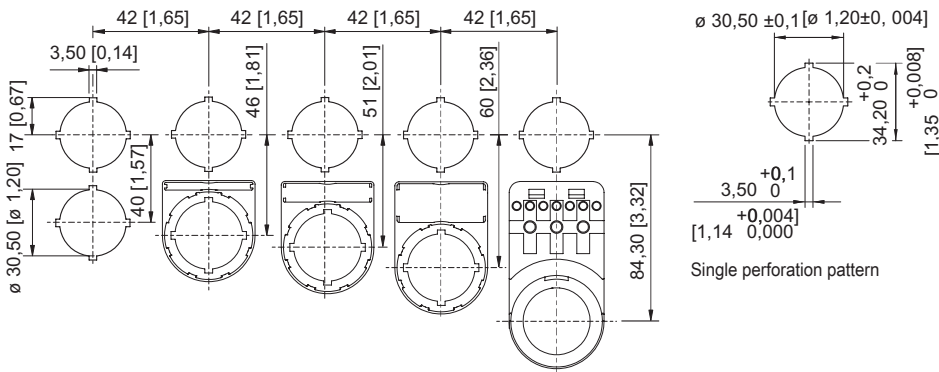
Spare Parts			
Figure	Description	Art. No.	Weight kg
Designation plate for pushbutton and selector switch			
	Yellow Blank disc without text	215428	0.001
Closing part			
	8602C3-733-B for closing unused holes in cover, Ø 30.5 mm, NBR	244306	0.025
	8602C3-733-S for closing unused holes in cover, Ø 30.5 mm, silicone	244307	0.025
Colour filter for BG 735			
	for illuminated pushbutton, all colours packaged	248684 ■	0.001
Caps for BG 054			
	for indicator lamp, all colours packaged	248685 ■	0.003
Protective collar			
	8602C3-751 plastic/red for mushroom stay-put button with key lock/mushroom stay-put button Ø 39 BG006, BG009, BG010, BG012	257707	0.020
	8602C3-751 plastic/yellow for mushroom stay-put button with key lock/mushroom stay-put button Ø 39 BG006, BG009, BG010, BG012	257708 ■	0.020
Label holder			
	Size 1, without insert disc, 1-line label for actuators Ø 39	223566	0.002
	Size 2, without insert disc, 1- or 2-line label for actuators Ø 39	223567 ■	0.002
	Size 3, without insert disc, 1-, 2- or 3-line label for actuators Ø 39	223568 ■	0.002
Special key			
	for tightening plastic locking nut	169101 ■	0.030

Spare Parts			
Figure	Description	Art. No.	Weight kg
Pressure plates			
	Ø 37 mm 3 contact elements	215436	0.002
	Ø 48.5 mm 4 contact elements	215437	0.002
	for twin pushbutton 4 contact elements	221706	0.001
	for key-operated switch and axial rotary actuator 1 to 2 contact elements	253627	0.001
	for key-operated switch and axial rotary actuator 3 to 4 contact elements	221707	0.001
Covering			
	for NEC indicator lamp BG 054 and NEC potentiometer BG 092	252023	0.038
	for NEC front installation indicating lamp BG 054	253260	0.030
Holder for front installation			
	8602/3 holder for cable duct	248673	0.050
Adaptor for front installation			
	8602/3 Front installation for indicator lamp series 8010/6 and contact element series 8082/3	227038	0.008
	8602/3 Front installation for control switch series 8008	260081	-
Indicator lamp 8010/6			
	for Ex e front installation	240900	0.030
	for Ex i front installation	240901	0.030
	for SA front installation	274899	0.034

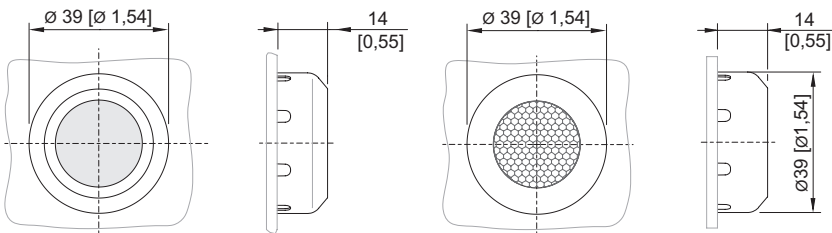
Spare Parts

Figure	Description	Art. No.	Weight kg
8082/3 Contact element			
	for NC contact front installation	240898	0.025
	for NO contact front installation	240899	0.025

Dimensional Drawings (All Dimensions in mm [inches]) – Subject to Alterations

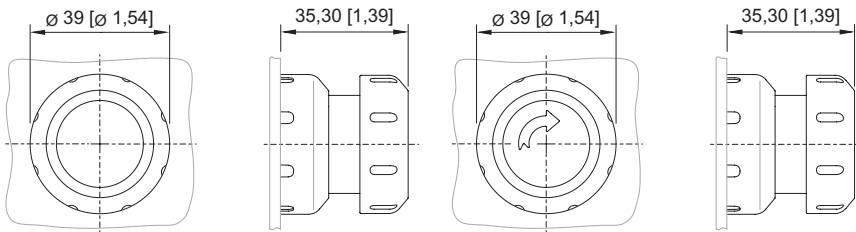


Cut-out with / without front label



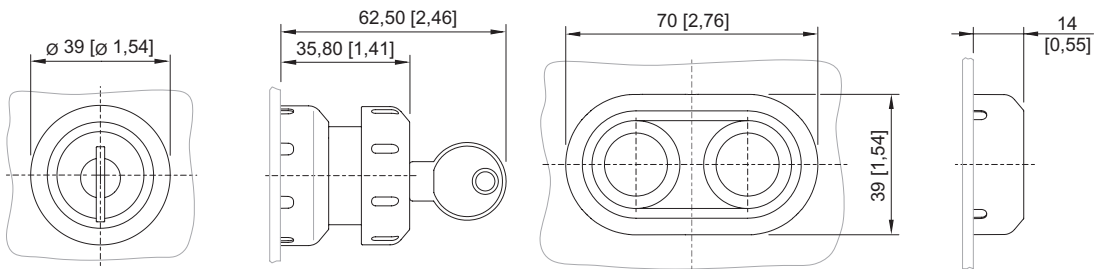
8602/3-001 Pushbutton
Actuators with axial actuation

8602/3-735 Illuminated pushbutton
Actuator with axial actuation



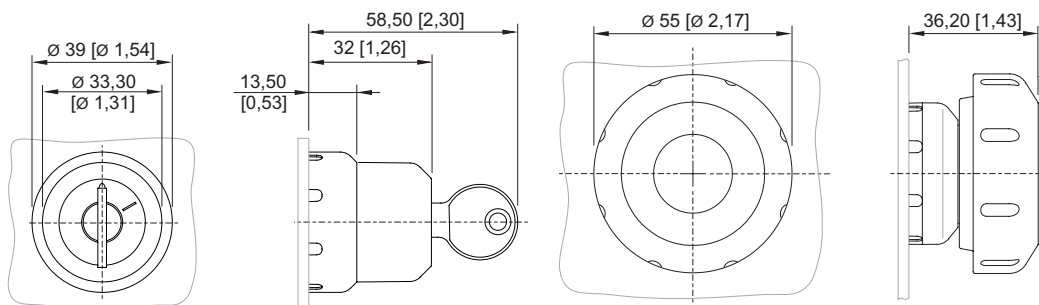
8602/3-003 Mushroom pushbutton black
Mushroom pushbutton red / black
Actuator with axial actuation

8602/3-010 Mushroom stay-put button red / yellow
8602/3-012 Mushroom stay-put button black / black
Actuator with axial actuation



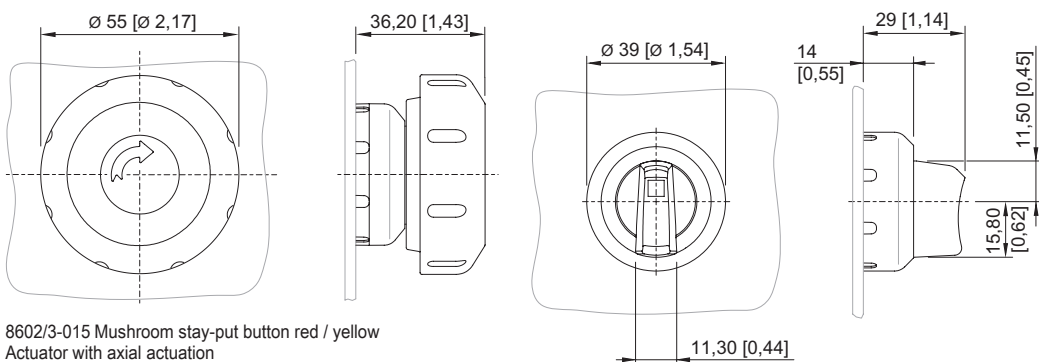
8602/3-006 Mushroom stay-put button with key lock
red / black
8602/3-009 Mushroom stay-put button with key lock
red / yellow
Actuator with axial actuation

8602/3-023 Twin pushbutton
Actuator with axial actuation



8602/3-008 MS Key-operated switch
Actuator with axial actuation

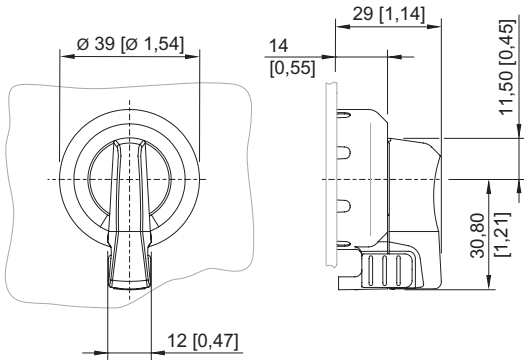
8602/3-014 Mushroom stay-put button red / black
8602/3-703 Mushroom stay-put button black / black
Actuator with axial actuation



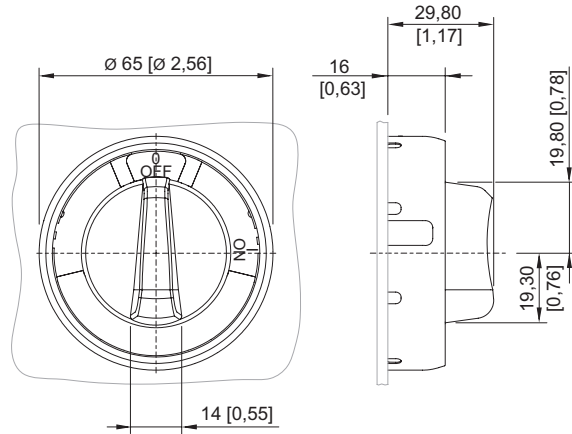
8602/3-015 Mushroom stay-put button red / yellow
Actuator with axial actuation

8602/3-726 Axial rotary actuator, not lockable
Actuator with axial actuation

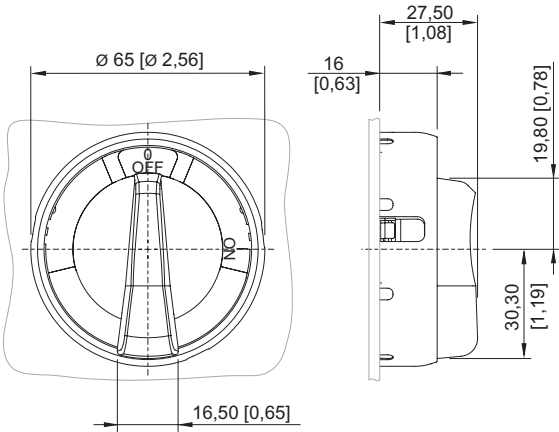
E4



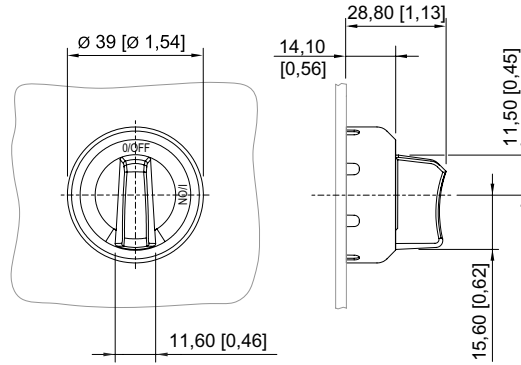
8602/3-727 Axial rotary actuator, lockable
Actuator with axial actuation



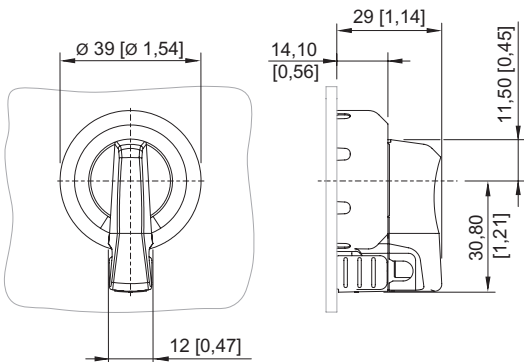
8602/3-728 Rotary actuator, black handle, red protective collar
8602/3-729 Rotary actuator, red handle, black protective collar
Actuator with radial actuation



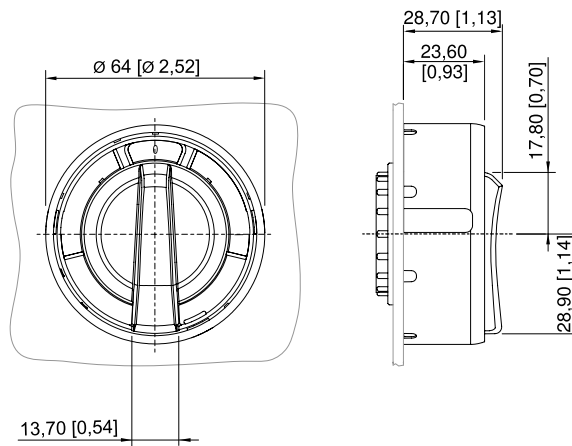
8602/3-730 Rotary actuator, red handle, yellow protective collar
8602/3-731 Rotary actuator, black handle, black protective collar
Actuator with radial actuation



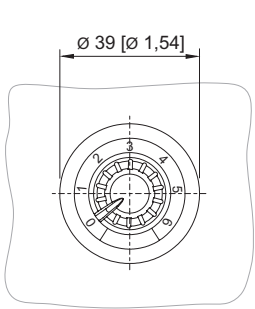
8602/3-732 Rotary actuator, not lockable
Actuator with radial actuation



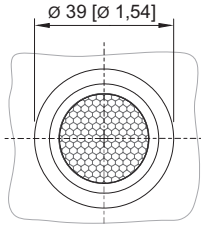
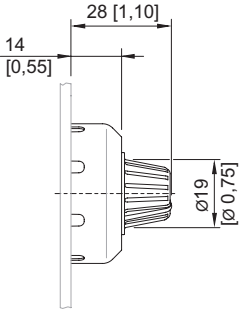
8602/3-734 Rotary actuator, padlockable using 1 lock
Actuator with radial actuation



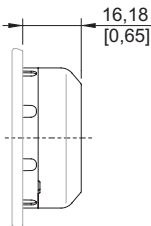
8602/3-736 Rotary actuator maxi, black handle, black protective collar
8602/3-737 Rotary actuator maxi, red handle, yellow protective collar
Actuator with radial actuation



8602/3-092 Potentiometer actuator
Actuator with radial actuation



8602/3-054 Indicator lamp bezel
Actuator without actuation



Use of actuators			Potential built-in elements mounting rail mounting						Potential built-in elements front installation		
BG: 8602C3-xxx	Actuator	Direction of actuation	8082			8010	8208/24	8008	8006	8082/8010 adaptor 227038	8008 with adaptor 260081
			1/2 elements	3 elements	4 elements						
			Standard	Pressure plate SAP no.						max. 3 elements	
001	Pushbutton	axial	x	215436	215437	--	x	--	--	x	--
003	Mushroom pushbutton black	axial	x	215436	215437	--	x	--	--	x	--
004	Mushroom pushbutton red	axial	x	215436	215437	--	x	--	--	x	--
006	Mushroom stay-put button with key lock	axial	x	215436	215437	--	x	--	--	x	--
008	Key-operated button	axial	2 x 253627 ¹⁾	--	2 x 221707 ¹⁾	--	--	--	--	2 x 253627 1 left / 1 right	--
009	Mushroom stay-put button with key lock EM-STOP	axial	x	215436	215437	--	x	--	--	x	--
010	Mushroom stay-put button EM-STOP	axial	x	215436	215437	--	x	--	--	x	--
012	Mushroom stay-put button black	axial	x	215436	215437	--	x	--	--	x	--
014	Mushroom pushbutton red, Ø 55	axial	x	215436	215437	--	x	--	--	x	--
015	Mushroom stay-put button EM-STOP, Ø 55	axial	x	215436	215437	--	x	--	--	x	--
023	Twin pushbutton	axial	x	--	2 x 221706	--	--	--	--	1 left / 1 right	--
054	Indicator lamp bezel	--	--	--	--	x	--	--	--	--	--
092	Potentiometer actuator	radial	--	--	--	--	x	--	--	--	--
703	Mushroom pushbutton black, Ø 55	axial	x	215436	215437	--	x	--	--	x	--
726	Axial rotary actuator, not lockable	axial	2 x 253627 ¹⁾	--	2 x 221707 ¹⁾	--	--	--	--	2 x 253627 1 left / 1 right	--
727	Axial rotary actuator, lockable	axial	2 x 253627 ¹⁾	--	2 x 221707 ¹⁾	--	--	--	--	2 x 253627 1 left / 1 right	--
728	Large rotary actuator, increased height, bk-bk	radial	--	--	--	--	--	x	x	--	x
729	Large rotary actuator, increased height, rd-ye	radial	--	--	--	--	--	x	x	--	x
730	Large rotary actuator, rd-ye	radial	--	--	--	--	--	x	x	--	x
731	Large rotary actuator, bk-bk	radial	--	--	--	--	--	x	x	--	x
732	Small rotary actuator, bk-bk	radial	--	--	--	--	--	x	--	--	x
734	Small rotary actuator, lockable	radial	--	--	--	--	--	x	--	--	x
735	Illuminated pushbutton	axial	x	215436 ¹⁾	--	x	--	--	--	x	--
736	Rotary actuator maxi, bk-bk	radial	--	--	--	--	--	x	x	--	x
737	Rotary actuator maxi, rd-ye	radial	--	--	--	--	--	x	x	--	x

¹⁾enclosed in the packed assembly

Functions	
Pushbutton actuator	Spring return function; replaceable designation labels
Mushroom pushbutton actuator	Spring return function; replaceable designation labels
Mushroom stay-put button actuator	Press to lock, turn right to unlock; yellow backing plate enclosed; for use for EM-STOP function
Mushroom stay-put button actuator with key lock	Press to lock; unlock only with key; yellow backing plate enclosed; for use for EM-STOP function
Key-operated button actuator	Switching function with 2 or 3 latching positions; key removable in all positions; "spring return" and/or "key not removable" functions are codeable
Twin pushbutton actuator	Spring return function; 2 push buttons in one actuator; replaceable designation labels
Rotary actuator, axial	Switching function with 2 or 3 latching positions
Closing part	For closing unused holes in cover
Small rotary actuator	Switching function
Large rotary actuator	Switching function
Potentiometer	Infinitely variable
Illuminated pushbutton	Spring return / illumination function; replaceable colour filters
Indicator lamp	Illumination function; replaceable coloured caps