



- MANTA Operator Station 24" as KVM solution
- CAT or fiber optic single mode / multi-mode
- For Zones 1, 21 / 2, 22 / Class I, Div 2 or safe areas
- ATEX, IECEx, EAC, NEC, CEC, PESO, KCS, CNEx, CCC, RCM and DNV / GL
- Temperature range: -20 °C ... +55 °C

A8

## MY R. STAHL MANTAKVMOSA

The MANTA KVM systems have been designed as classic KVM solutions for visualisation and operation of remote devices - with worldwide certifications for Zones 1, 2, 21, 22 and Division 2. They are available as panel-mount modules (PM) or operator stations with enclosure (OS). Data is transmitted via copper cable or FO (CAT <100 m), single mode <10 km, multi-mode <550 m). Their brilliant 24" widescreen displays with a resolution of 1920 x 1080 pixels (format 16:9) are available with or without touch screen. The stainless steel enclosures (SS304 or SS316L) are available with a front opening or in cleanroom-compliant design and with different mounting options. Accessories include country-specific keyboards, pointer instruments and RFID and barcode readers.

Selection Table				
HMI type	Operator Station 24" KVM system			
Product description	Interface medium	Data cable length	Art. No.	Weight
Product Type	Interface medium	Data cable length	Art. No.	Weight
OS ET-677-DVI3-CAT	CAT7 Data transmission	Max. 150 m		-
OS ET-677-DVI3 Class I Div. 1	-	CAT up to 150 m (492 ft) MM up to 550 m (1,804 ft) via 50/125 µm fibre optic cable MM up to 275 m (902 ft) over 62.5/125 µm fibre optic cable SM up to 10 m (33 ft) over 9/125 µm fibre optic cable		-
OS ET-677-DVI3-MM	Multi-mode optical cable	max. 550 m, with 50 µm FO cable max. 300 m, with 62.5 µm FO cable		-
OS ET-677-DVI3-SM	Single mode optical cable	max. 10 km		-
OS IT-677-DVI3-CAT	CAT5 Data transmission	Max. 150 m		-
OS IT-677-DVI3-MM	Multi-mode optical cable	max. 550 m, with 50 µm FO cable max. 300 m, with 62.5 µm FO cable		-
OS IT-677-DVI3-SM	Single mode optical cable	max. 10 km		-
OS MT-677-DVI3-CAT	CAT7 Data transmission	Max. 150 m		-
OS MT-677-DVI3-MM	multi-mode optical fibre cable	max. 550 m, with 50 µm FO cable max. 300 m, with 62.5 µm FO cable		-
OS MT-677-DVI3-SM	Single mode optical cable	max. 10 km		-

Technical Data				
Variant	OS ET-677-DVI3-CAT	OS ET-677-DVI3 Class I Div. 1	OS MT-677-DVI3-CAT	OS IT-677-DVI3-CAT
Explosion Protection				
Application range (zones)	1 2 21 22	1 2 21 22	2 22	Non-Ex
Application range (divisions)	Class I, Division 2	Class I, Division 2		
IECEx certification	IECEx BVS 11.0075X	IECEx BVS 11.0075X	IECEx BVS 14.0034X	

Technical Data				
Variant	OS ET-677-DVI3-CAT	OS ET-677-DVI3 Class I Div. 1	OS MT-677-DVI3-CAT	OS IT-677-DVI3-CAT
<b>Explosion Protection</b>				
ATEX certification	BVS 11 ATEX E 102 X	BVS 11 ATEX E 102 X	BVS 12 ATEX E 033 X	
Scope	EU (CE / ATEX) International (IECEX) USA (NEC) Canada (CEC) India (PESO) Korea (KCS) China (CCC / CNEEx) Australia (RCM)	EU (CE / ATEX) Global (IECEX) USA (ETL / NEC) Canada (CEC) India (PESO) Korea (KCS) China (CCC / CNEEx) Australia (RCM)	EU (CE / ATEX) International (IECEX) China (CCC / CNEEx) Australia (RCM)	
<b>Electrical Data</b>				
Rated operational voltage AC	230 V	230 V	230 V	230 V
<b>Ambient Conditions</b>				
Ambient temperature operation	-20 °C ... +55 °C	-20 °C ... +55 °C	-20 °C ... +55 °C	-20 °C ... +55 °C
Storage temperature	-30 °C ... +70 °C	-30 °C ... +70 °C	-30 °C ... +70 °C	-30 °C ... +70 °C
<b>Display</b>				
Display version	TFT Color display	TFT Color display	TFT Color display	TFT Color display
Total pixels	1920 x 1080	1920 x 1080	1920 x 1080	1920 x 1080
Display dimensions	16:9	16:9	16:9	16:9
Display brightness	300 cd/m <sup>2</sup>	300 cd/m <sup>2</sup>	300 cd/m <sup>2</sup>	300 cd/m <sup>2</sup>
Display contrast	1000:1	1000:1	1000:1	1000:1
Backlight	LED Technology	LED Technology	LED Technology	LED Technology
<b>Mechanical Data</b>				
Material front	Aluminium / stainless steel	Aluminium / stainless steel	Aluminium / stainless steel	Aluminium / stainless steel
Material back	Stainless steel	Stainless steel	Stainless steel	Stainless steel
Ingress protection	IP66	IP66 / NEMA 4X	IP66	IP66
<b>Mounting / Installation</b>				
Enclosure type	Stainless steel enclosure (FR) optional clean room (CFR)	Stainless steel enclosure clean room (CFR)	Stainless steel enclosure (FR) optional clean room (CFR)	Stainless steel enclosure (FR) optional clean room (CFR)
Mounting option	Wall, elbow, stand	Wall, stand	Wall, elbow, stand	Wall, elbow, stand
<b>Components</b>				
Keyboard	optional, 105 keys with trackball / joystick / touchpad (Ex ia)	optional, 105 keys (104 (Amer- ican) / 109 (Japanese)) with trackball / joystick / touchpad (Ex ia)	optional, 105 keys with trackball / joystick / touchpad (Ex ia)	optional, 105 keys with trackball / joystick / touchpad

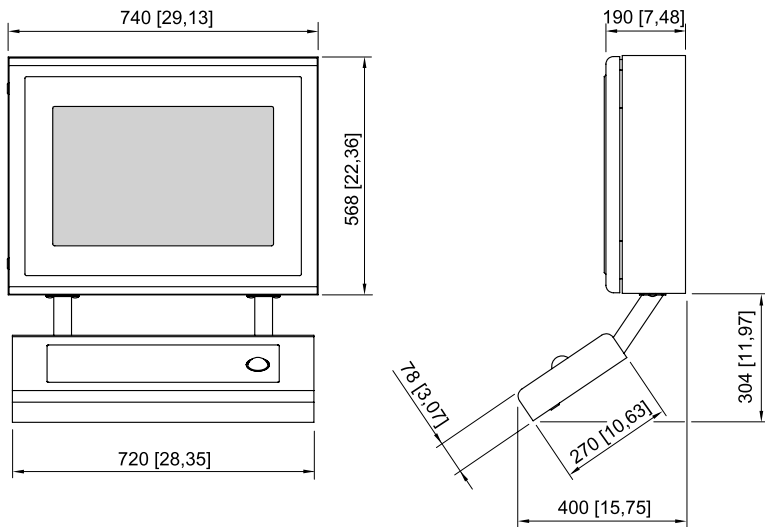
## Configurator

<b>Series</b>		<b>Enclosure type and material</b>	
Class I, Division 1	<input checked="" type="checkbox"/>	Cleanroom enclosure with front door (CFRP), SS304	<input checked="" type="checkbox"/>
<b>Display size</b>		<b>Outdoor Design</b>	
24", 1920 x 1080 - Format 16:9	<input checked="" type="checkbox"/>	-20 °C (-4 °F) (Indoor)	<input checked="" type="checkbox"/>
<b>Transfer Technology</b>		<b>Keyboard layout, mounted inside enclosure</b>	
DVI3 STAHL KVM Technology	<input checked="" type="checkbox"/>	No Keyboard and no pointing device	<input type="checkbox"/>
<b>Media / Digital data transmission</b>		KB2 keyboard, layout DE	<input type="checkbox"/>
via copper Ethernet CAT5/CAT7	<input type="checkbox"/>	KB2 keyboard, layout US	<input type="checkbox"/>
via FO Ethernet multi-mode	<input type="checkbox"/>	KB2 keyboard, layout FR	<input type="checkbox"/>
via FO Ethernet Single mode	<input type="checkbox"/>		
<b>Touch</b>		<b>Integrated pointing device</b>	
No Touch	<input type="checkbox"/>	No integrated pointing device	<input type="checkbox"/>
Analogue resistive polyester foil	<input type="checkbox"/>	Trackball 50 mm	<input type="checkbox"/>
Analogue resistive glass touch	<input type="checkbox"/>	Touch Pad	<input type="checkbox"/>
<b>Power supply</b>		Joystick	<input type="checkbox"/>
24 VDC	<input type="checkbox"/>		
100 – 240 VAC	<input type="checkbox"/>		
<b>Front design</b>		<b>Further options 1</b>	
Panel mount with aluminum front plate	<input type="checkbox"/>	Pressurised system type Y (Y-Purged), inclusive power supply- and alarm barrier	<input checked="" type="checkbox"/>
Panel mount with stainless steel front plate	<input type="checkbox"/>		

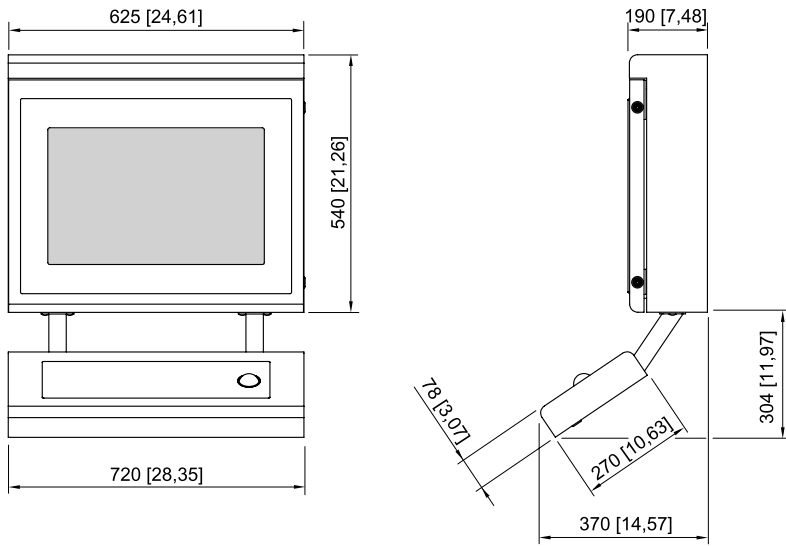
Send your configuration to [Automationteam@r-stahl.com](mailto:Automationteam@r-stahl.com) and request a quote today.

Accessories			
Figure	Description	Art. No.	Weight
<b>Transmission Unit</b>			
	<b>KVM-DVI3-CAT</b> KVM Transmission Unit DVI3 Connection to PC via DVI/USB Data transmission CAT7 Desktop enclosure	221092	1.5 kg
	<b>KVM-DVI3-MM-FO</b> KVM Transmission Unit DVI3 Connection to PC via DVI/USB Data transmission MM-FO Desktop enclosure	221093	1.5 kg
	<b>KVM-DVI3-SM-FO</b> KVM Transmission Unit DVI3 Connection to PC via DVI/USB Data transmission SM-FO Desktop enclosure	221094	1.5 kg
<b>Accessories Transmission Unit</b>			
	<b>DVI3-RackMountKit-1</b> 19" Rack Mount front cover for 1 DVI3 transmission unit	221095	200 g
	<b>DVI3-RackMountKit-2</b> 19" Rack mount front cover for 2 DVI3 transmission units	221096	1 kg

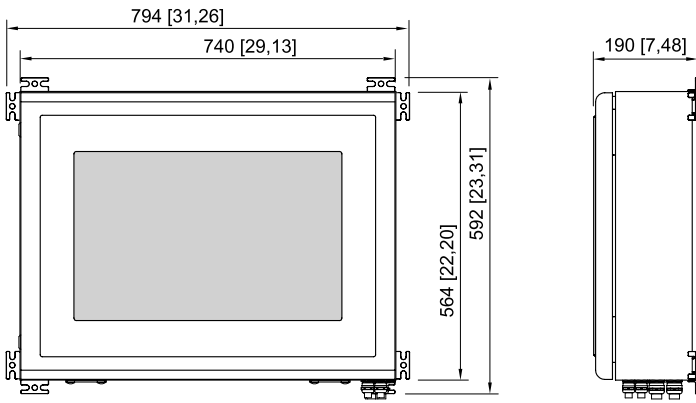
**Dimensional Drawings (All Dimensions in mm [inches]) – Subject to Alterations**



Operator Station FR enclosure



Operator Station CFR enclosure



Operator Station FR enclosure, wall mounting

A8

