



- Stainless steel enclosure as standard for a long service life and safety even under harsh ambient conditions
- Extremely wide range of ambient temperatures – between -60 °C and +60 °C
- Robust design with IK10 and IP66
- Wide-range input with optional 100 V to 277 V
- DALI versions available for lighting control, monitoring and switching

E2

WebCode **6525C**



The wide-range input now also meets the electrical installation conditions for global use. With an optional DALI interface, the floodlight paves the way to a digital lighting solution. Its extremely low start-up current can also support existing installations, as the circuit breakers that are already installed do not need to be replaced.

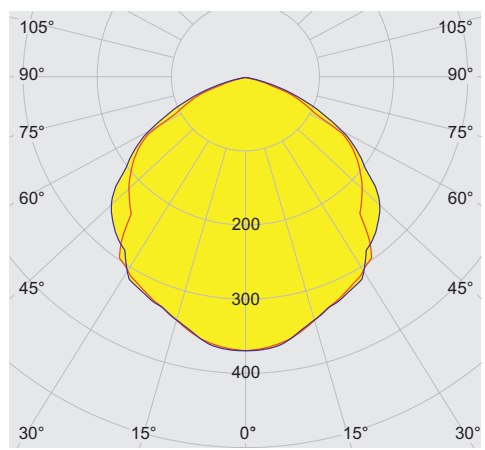
	IECEx / ATEX					
Zone	0	1	2	20	21	22
Installation in			•		•	•

Selection Table						
Enclosure material		Stainless steel 1.4301, Powder-coated Single-layer powder-coated				
Lamp wattage	Light distribution	Luminous flux	Luminaire efficacy	Product Type	Art. No.	Weight
100 W	Wide beam	12315 lm	123 lm/W	6525/2124-1701-6021-331	282307	15.5 kg
160 W	Medium-beam	17444 lm	113 lm/W	6525/2122-3701-6021-331	282309	15.5 kg
	Wide beam	17640 lm	114 lm/W	6525/2124-3701-6021-331	282308	15.5 kg
225 W	Narrow-beam	24562 lm	111 lm/W	6525/2121-5701-6021-331	282361	18 kg
	Wide beam	23723 lm	108 lm/W	6525/2124-5701-6021-331	282310	18 kg
Enclosure material		Stainless steel 1.4404, Powder-coated Double powder-coated				
Lamp wattage	Light distribution	Luminous flux	Luminaire efficacy	Product Type	Art. No.	Weight
100 W	Wide beam	12315 lm	123 lm/W	6525/2124-1701-6021-242	282371	15.5 kg
160 W	Medium-beam	17444 lm	113 lm/W	6525/2122-3701-6021-242	282373	15.5 kg
	Wide beam	17640 lm	114 lm/W	6525/2124-3701-6021-242	282372	15.5 kg
225 W	Narrow-beam	24562 lm	111 lm/W	6525/2121-5701-6021-242	282375	18 kg
	Wide beam	23723 lm	108 lm/W	6525/2124-5701-6021-242	282374	18 kg

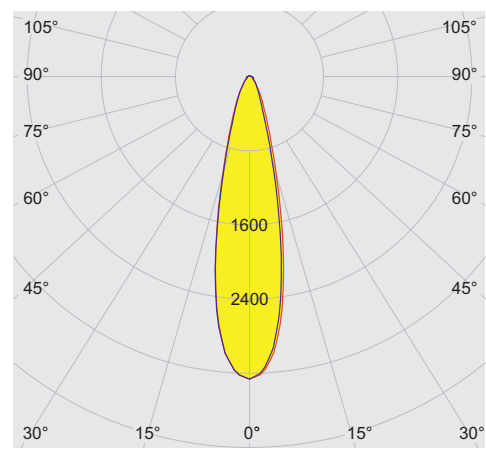
Technical Data			
Variant	Floodlight LED 100 W	Floodlight LED 160 W	Floodlight LED 225 W
Explosion Protection			
IECEx gas explosion protection	Ex nR IIC T5 Gc	Ex nR IIC T5 Gc	Ex nR IIC T5 Gc
IECEx dust explosion protection	Ex tb op is IIIC T80 °C Db	Ex tb op is IIIC T100 °C Db	Ex tb op is IIIC T100 °C Db
ATEX gas explosion protection	Ⓔ II 3 G Ex nR IIC T5 Gc	Ⓔ II 3 G Ex nR IIC T5 Gc	Ⓔ II 3 G Ex nR IIC T5 Gc
ATEX dust explosion protection	Ⓔ II 2 D Ex tb op is IIIC T80 °C Db	Ⓔ II 2 D Ex tb op is IIIC T100 °C Db	Ⓔ II 2 D Ex tb op is IIIC T100 °C Db

Technical Data			
Variant	Floodlight LED 100 W	Floodlight LED 160 W	Floodlight LED 225 W
<b>Explosion Protection</b>			
Certificates	ATEX (BVIS), IECEx (BVIS), India (PESO)	ATEX (BVIS), IECEx (BVIS), India (PESO)	ATEX (BVIS), IECEx (BVIS), India (PESO)
<b>Electrical Data</b>			
Rated operational voltage AC	110 – 277 V	110 – 277 V	110 – 277 V
Frequency range	50 – 60 Hz	50 – 60 Hz	50 – 60 Hz
<b>Ambient Conditions</b>			
Ambient temperature	-50 °C ... +60 °C	-60 °C ... +60 °C	-60 °C ... +60 °C
Min. ambient temperature note	Energise above -40 °C	Energise above -40 °C	Energise above -40 °C
Storage temperature	-40 °C ... +75 °C	-40 °C ... +75 °C	-40 °C ... +75 °C
<b>Lighting Data</b>			
Lamp	LED	LED	LED
Colour rendering	≥ 70	≥ 70	≥ 70
Colour temperature	5700 K	5700 K	5700 K
<b>Mechanical Data</b>			
Degree of protection (IP)	IP66	IP66	IP66
Class	I	I	I
Sealing material	Silicone	Silicone	Silicone
Pane material	Reinforced glass	Reinforced glass	Reinforced glass
Max. solid connection terminals	6 mm <sup>2</sup>	6 mm <sup>2</sup>	6 mm <sup>2</sup>
Impact strength (IEC 62262)	IK10	IK10	IK10
Fastening	With bracket, SS316L	With bracket, SS316L	With bracket, SS316L
<b>Components</b>			
Cable glands and entries	CMP-20A2F 1 x M20 x 1.5	CMP-20A2F 1 x M20 x 1.5	CMP-20A2F 1 x M20 x 1.5
Cable entry accessories	1 x with plug	1 x with plug	1 x with plug

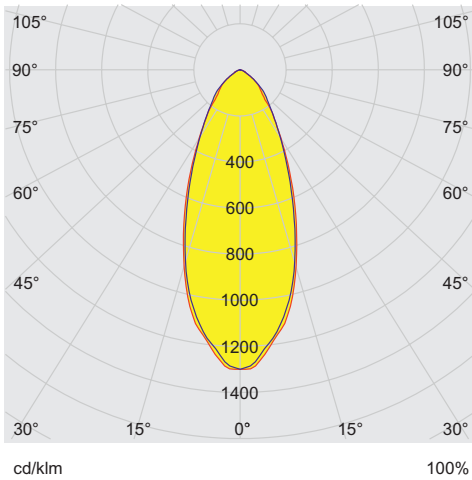
**Light Distribution Curves – Subject to Alterations**



cd/klm 100%  
 — C0 - C180 — C90 - C270  
 typ. broad beam

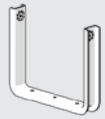
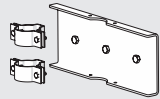


cd/klm 100%  
 — C0 - C180 — C90 - C270  
 typ. narrow beam

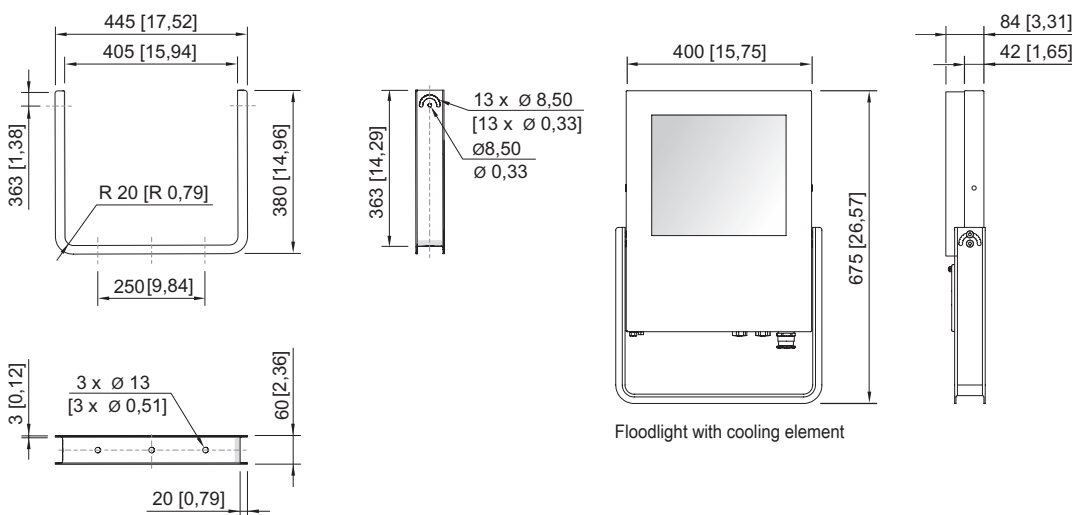


cd/klm  
 — C0 - C180      — C90 - C270

typ. medium beam

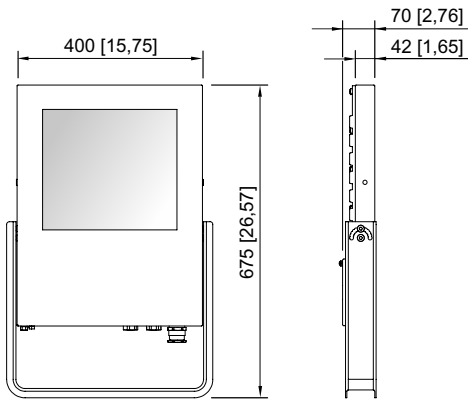
Accessories			
Figure	Description	Art. No.	Weight
<b>Mounting bracket</b>			
	Stainless steel SS316L (1.4404 or V4A) without powder coating	221589	3.13 kg
<b>Mounting set</b>			
	for pole mounting with pole diameter of 50 mm - stainless steel SS316L (1.4404 or V4A) without powder coating	283361	5 kg
	for pole mounting with pole diameter of 60 mm - stainless steel SS316L (1.4404 or V4A) without powder coating	263824	5 kg

**Dimensional Drawings (All Dimensions in mm [inches]) – Subject to Alterations**

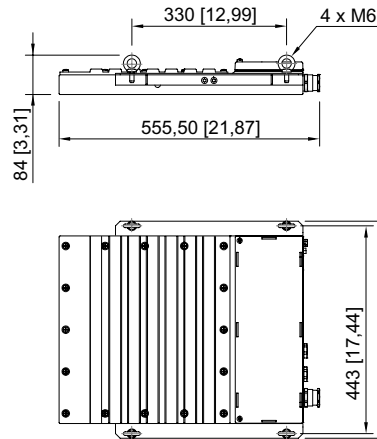


Mounting bracket

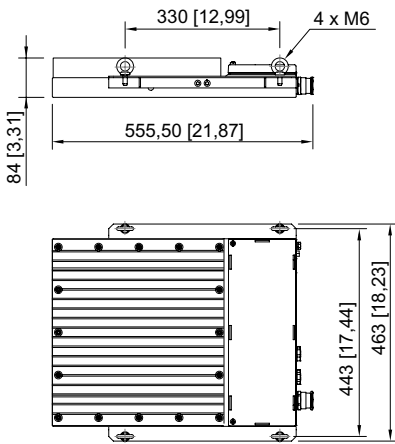
Floodlight with cooling element



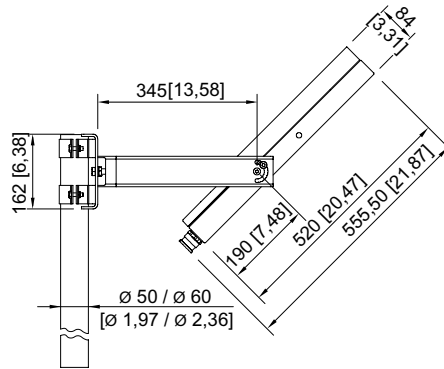
Floodlight without cooling element



Floodlight without cooling element, with ring eyes



Floodlight with cooling element, with ring eyes



Floodlight with pole mounting

