



- Large selection of different actuators
- Versions as an NC with positive opening, NO or disconnect terminal

E4

WebCode 8082D



R. STAHL Series 8082 contact elements have an NO contact and a positive opening operation NC contact, made from silver-nickel or gold-plated. They can be easily combined with contact blocks and enable customised installations, also due to the large selection of the various actuators.

	IECEX / ATEX					
Zone	0	1	2	20	21	22
Installation in		•	•			

	NEC® 500 CE Code Appendix J					
	Class I		Class II		Class III	
Division	1	2	1	2	1	2
Installation in		•		•		

	CE Code Section 18					
	NEC® 505			NEC® 506		
	Class I					
Zone	0	1	2	20	21	22
Installation in		•	•			

Selection Table						
Contact material	Gold-plated					
Number of NCs	Number of NOs		Positive opening operation		Art. No.	Weight
1	-		Yes		273166	25 g
-	1		-		273167	25 g
Contact material	Silver-nickel					
Number of NCs	Number of NOs		Positive opening operation		Art. No.	Weight
1	-		Yes		240898	25 g
-	1		-		240899	25 g

The actuators of series 8602 assembly codes 001, 002, 003, 004, 005, 006, 0085, 009, 010, 012, 014, 015, 023, 703, 726, 727 and 735 can be equipped with up to 3 contact elements.





Different combinations of the contact elements are possible

Technical Data		
Variant	Silver-nickel	Gold-plated
Explosion Protection		
IECEX gas explosion protection	Ex db eb IIC T6 / T5 Gb	Ex db eb IIC T6 / T5 Gb
IECEX firedamp protection	Ex db eb I Mb	Ex db eb I Mb
ATEX gas explosion protection	⊕ II 2 G Ex db eb IIC T6 / T5 Gb	⊕ II 2 G Ex db eb IIC T6 / T5 Gb
ATEX firedamp protection	⊕ I M2 Ex db eb I Mb	⊕ I M2 Ex db eb I Mb
Certificates	ATEX (PTB), Brazil (ULB), Canada (UL), China (CQST), IECEX (PTB), Korea (KTL), USA (UL)	ATEX (PTB), Brazil (ULB), Canada (UL), China (CQST), IECEX (PTB), Korea (KTL), USA (UL)
Notes	Product label may vary. Series devices are labelled with ATEX, IECEX, NEC and CEC.	
Electrical Data		
Max. rated operational voltage	550 V	550 V


Technical Data		
Variant	Silver-nickel	Gold-plated
Electrical Data		
Min. rated operational voltage	24 V	24 V
Rated operational current	150 mA / 10 A	10 mA / 150 A
Rated operational current note	- Gold-plated contacts: 10 to 150 mA switching current - Silver-nickel contacts from 150 mA switching current. - For corrosive environments and offshore applications, we recommend the use of 8082 snap action switches.	- Gold-plated contacts: 10 to 150 mA switching current - Silver-nickel contacts from 150 mA switching current. - For corrosive environments and offshore applications, we recommend the use of 8082 snap action switches.
Electrical service life	10 ⁶ operating cycles	10 ⁶ operating cycles
Mechanical service life	10 ⁶ operating cycles	10 ⁶ operating cycles
Switching capacity AC-12	250 V / 10 A 400 V / 7.5 A 550 V / 5 A	
Switching capacity AC-15	110 V / 10 A 250 V / 6 A 400 V / 4 A	
Switching capacity DC-13	110 V / 1 A	
Switching capacity DC-13<SoftReturn/>2 contact elements in series	60 V/6 A 110 V/2.5 A 250 V/1.25 A	
Ambient Conditions		
Ambient temperature	-60 °C ... +70 °C (T6) -60 °C ... +85 °C (T5)	-60 °C ... +70 °C (T6) -60 °C ... +85 °C (T5)
Ambient temperature	-76 °F ... +158 °F (T6) -76 °F ... +185 °F (T5)	-76 °F ... +158 °F (T6) -76 °F ... +185 °F (T5)
Ambient temperature NEC	-60 °C ... +75 °C (T6) -60 °C ... +90 °C (T5)	-60 °C ... +75 °C (T6) -60 °C ... +90 °C (T5)
Ambient temperature NEC	-76 °F ... +167 °F (T6) -76 °F ... +194 °F (T5)	-76 °F ... +167 °F (T6) -76 °F ... +194 °F (T5)
Operating temperature	-60 °C ... +100 °C	-60 °C ... +100 °C
Operating temperature	-76 °F ... +212 °F	-76 °F ... +212 °F
Operating temperature NEC	-60 °C ... +95 °C	-60 °C ... +95 °C
Operating temperature NEC	-76 °F ... +203 °F	-76 °F ... +203 °F
Notes	Group assembly: installation conditions influence the ambient temperature	
Mechanical Data		
Degree of protection (IP) (IEC 60529)	IP20	IP20
Enclosure material	Polyamide	Polyamide
Silicone-free	Yes	Yes
Solid connection cross section	0.32 – 2.5 mm ²	0.32 – 2.5 mm ²
Connection cross-section AWG single stranded	AWG22 - AWG14	AWG22 - AWG14
Finely stranded connection cross section	0.32 – 2.5 mm ²	0.32 – 2.5 mm ²
Finely stranded connection cross-section AWG	AWG22 - AWG14	AWG22 - AWG14
Connection cross-section, finely stranded with core end sleeve	0.32 – 2.5 mm ²	0.32 – 2.5 mm ²
Connection cross-section, finely stranded with core end sleeve AWG	AWG22 - AWG14	AWG22 - AWG14
Mounting / Installation		
Tightening torque	1.2 Nm	1.2 Nm
Tightening torque lbf in	10.62 lbf in	10.62 lbf in
Connection type	Screw terminal	Screw terminal

Accessories			
Figure	Description	Art. No.	Weight
Pushbutton BG001			
	Ø 39 mm Black Designation plate: Black, blank disc without text Silicone-free: Yes	223691	34 g
	Ø 39 mm Black Designation plate: Black, blank disc without text Silicone-free: No	223692	34 g
Mushroom pushbutton, black BG003			
	Ø 39 mm Black Designation plate: Black, blank disc without text Silicone-free: Yes	244563	50 g
	Ø 39 mm Black Designation plate: Black, blank disc without text Silicone-free: No	244564	50 g
Mushroom pushbutton, red BG004			
	Ø 39 mm Red/black Designation plate: Red, blank disc without text Silicone-free: Yes	244565	50 g
	Ø 39 mm Red/black Designation plate: Red, blank disc without text Silicone-free: No	244566	50 g
Mushroom stay-put button with key BG006			
	Ø 39 mm Red/black Closing: MS1 Silicone-free: Yes	223695	75 g
	Ø 39 mm Red/black Closing: MS1 Silicone-free: No	223696	75 g
Key-operated switch actuator BG008			
	Ø 39 mm Black Closing: MS1 Number of switching positions: 2 Switching function: Latching / Latching Silicone-free: No	244574	50 g
	Ø 39 mm Black Closing: MS1 Number of switching positions: 3 Switching function: Latching / Latching / Latching Silicone-free: No	244633	50 g

Accessories				
Figure	Description	Art. No.	Weight	
Mushroom stay-put button with EM-STOP key BG009				
	Ø 39 mm Yellow/red Designation plate: With yellow backing plate Closing: MS1 Silicone-free: Yes	223693	75 g	
	Ø 39 mm Yellow/red Designation plate: With yellow backing plate Closing: MS1 Silicone-free: No	223694	75 g	
Mushroom stay-put button EM-STOP BG010				
	Ø 39 mm Yellow/red Designation plate: With yellow backing plate Silicone-free: Yes	223697	50 g	
	Ø 39 mm Yellow/red Designation plate: With yellow backing plate Silicone-free: No	223698	50 g	
Mushroom stay-put button, black BG012				
	Ø 39 mm Black Silicone-free: Yes	223699	50 g	
	Ø 39 mm Black Silicone-free: No	223700	50 g	
Mushroom pushbutton 55 mm red BG014				
	Ø 55 mm Black/red Designation plate: Red, blank disc without text Silicone-free: Yes	244634	55 g	
Mushroom pushbutton 55 mm red BG014				
	Ø 55 mm Black/red Designation plate: Red, blank disc without text Silicone-free: No	244635	55 g	
Mushroom stay-put button 55 mm EM-STOP BG015				
	Ø 55 mm Yellow/red Designation plate: With yellow backing plate Silicone-free: Yes	244636	55 g	
Mushroom stay-put button 55 mm EM-STOP BG015				
	Ø 55 mm Yellow/red Designation plate: With yellow backing plate Silicone-free: No	244637	55 g	

Accessories			
Figure	Description	Art. No.	Weight
Twin pushbutton BG023			
	Black Silicone-free: Yes	244638	45 g
	Black Silicone-free: No	244639	45 g
Mushroom pushbutton 55 mm black BG703			
	Ø 55 mm Black Designation plate: Black, blank disc without text Silicone-free: Yes	244642	55 g
	Ø 55 mm Black Designation plate: Black, blank disc without text Silicone-free: No	244643	55 g
Small rotary actuator, not lockable BG726			
	Ø 39 mm Black Designation plate: 0/OFF – I/ON Number of switching positions: 2 Lockable in: Not padlockable Switching function: Latching / Latching Silicone-free: Yes	244646	40 g
	Ø 39 mm Black Designation plate: 0/OFF – I/ON Number of switching positions: 2 Lockable in: Not padlockable Switching function: Latching / Latching Silicone-free: No	244647	40 g
	Ø 39 mm Black Designation plate: I – 0 – II Number of switching positions: 3 Lockable in: Not padlockable Switching function: Latching / Latching / Latching Silicone-free: Yes	244648	40 g
	Ø 39 mm Black Designation plate: I – 0 – II Number of switching positions: 3 Lockable in: Not padlockable Switching function: Latching / Latching / Latching Silicone-free: No	244649	40 g


Accessories




Figure	Description	Art. No.	Weight
Small rotary actuator, lockable BG727			
	Ø 39 mm Black Designation plate: 0/OFF – I/ON Number of switching positions: 2 Lockable in: One pos. with one lock Switching function: Latching / Latching Silicone-free: Yes	244650	40 g
	Ø 39 mm Black Designation plate: 0/OFF – I/ON Number of switching positions: 2 Lockable in: One pos. with one lock Switching function: Latching / Latching Silicone-free: No	244651	40 g
	Ø 39 mm Black Designation plate: I – 0 – II Number of switching positions: 3 Lockable in: One pos. with one lock Switching function: Latching / Latching / Latching Silicone-free: Yes	244652	40 g
	Ø 39 mm Black Designation plate: I – 0 – II Number of switching positions: 3 Lockable in: One pos. with one lock Switching function: Latching / Latching / Latching Silicone-free: No	244653	40 g
Illuminated pushbutton (spring return) BG735			
	Ø 39 mm Black All colours Silicone-free: Yes	244654	35 g
	Ø 39 mm Black All colours Silicone-free: No	244655	35 g

Spare Parts			
Figure	Description	Art. No.	Weight
Mushroom stay-put button with key BG006			
	Ø 39 mm Red/black Closing: MS2 Silicone-free: Yes	270409	75 g
	Ø 39 mm Red/black Closing: MS2 Silicone-free: No	270412	75 g
	Ø 39 mm Red/black Closing: MS3 Silicone-free: Yes	270410	75 g
	Ø 39 mm Red/black Closing: MS3 Silicone-free: No	270413	75 g
	Ø 39 mm Red/black Closing: MS4 Silicone-free: Yes	270411	75 g
	Ø 39 mm Red/black Closing: MS4 Silicone-free: No	270414	75 g

Spare Parts

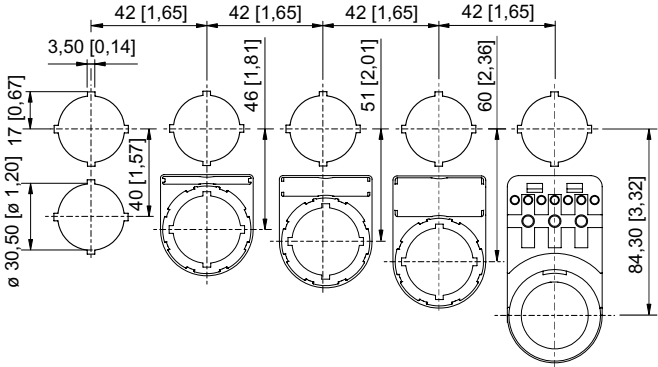
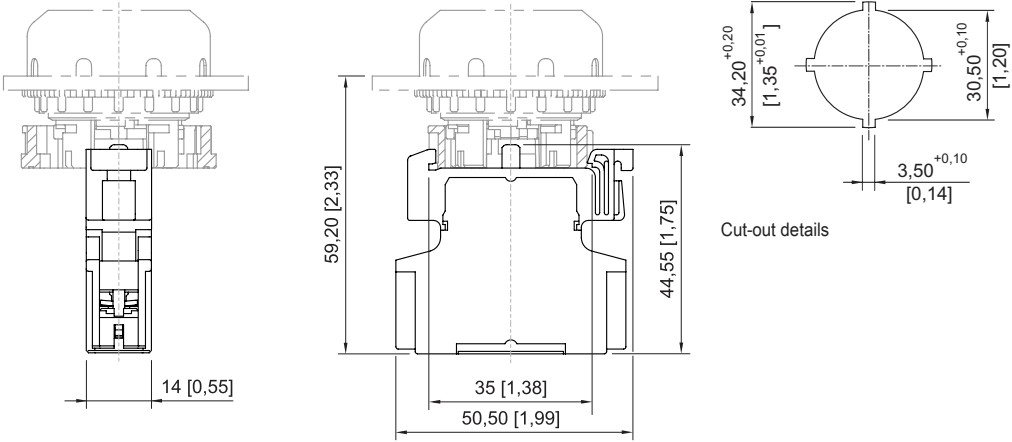
Figure	Description	Art. No.	Weight
Key-operated switch actuator BG008			
	Ø 39 mm Black Closing: MS1 Number of switching positions: 2 Switching function: Latching / Latching Silicone-free: Yes	244573	50 g
	Ø 39 mm Black Closing: MS2 Number of switching positions: 2 Switching function: Latching / Latching Silicone-free: Yes	272935	60 g
	Ø 39 mm Black Closing: MS2 Number of switching positions: 2 Switching function: Latching / Latching Silicone-free: No	270418	50 g
	Ø 39 mm Black Closing: MS3 Number of switching positions: 2 Switching function: Latching / Latching Silicone-free: Yes	274089	50 g
	Ø 39 mm Black Closing: MS3 Number of switching positions: 2 Switching function: Latching / Latching Silicone-free: No	270419	50 g
	Ø 39 mm Black Closing: MS4 Number of switching positions: 2 Switching function: Latching / Latching Silicone-free: Yes	272936	60 g
	Ø 39 mm Black Closing: MS4 Number of switching positions: 2 Switching function: Latching / Latching Silicone-free: No	270420	50 g

Spare Parts			
Figure	Description	Art. No.	Weight
Key-operated switch actuator BG008			
	Ø 39 mm Black Closing: MS1 Number of switching positions: 3 Switching function: Latching / Latching / Latching Silicone-free: Yes	244632	50 g
	Ø 39 mm Black Closing: MS2 Number of switching positions: 3 Switching function: Latching / Latching / Latching Silicone-free: Yes	274090	50 g
	Ø 39 mm Black Closing: MS2 Number of switching positions: 3 Switching function: Latching / Latching / Latching Silicone-free: No	270421	50 g
	Ø 39 mm Black Closing: MS3 Number of switching positions: 3 Switching function: Latching / Latching / Latching Silicone-free: Yes	274091	50 g
	Ø 39 mm Black Closing: MS3 Number of switching positions: 3 Switching function: Latching / Latching / Latching Silicone-free: No	270422	50 g
	Ø 39 mm Black Closing: MS4 Number of switching positions: 3 Switching function: Latching / Latching / Latching Silicone-free: Yes	274092	50 g
	Ø 39 mm Black Closing: MS4 Number of switching positions: 3 Switching function: Latching / Latching / Latching Silicone-free: No	270423	50 g

Spare Parts			
Figure	Description	Art. No.	Weight
Mushroom stay-put button with EM-STOP key BG009			
	Ø 39 mm Yellow/red Designation plate: With yellow backing plate Closing: MS2 Silicone-free: Yes	274099	750 g
	Ø 39 mm Yellow/red Designation plate: With yellow backing plate Closing: MS2 Silicone-free: No	270415	75 g
	Ø 39 mm Yellow/red Designation plate: With yellow backing plate Closing: MS3 Silicone-free: Yes	274100	750 g
	Ø 39 mm Yellow/red Designation plate: With yellow backing plate Closing: MS3 Silicone-free: No	270416	75 g
	Ø 39 mm Yellow/red Designation plate: With yellow backing plate Closing: MS4 Silicone-free: Yes	274101	750 g
	Ø 39 mm Yellow/red Designation plate: With yellow backing plate Closing: MS4 Silicone-free: No	270417	75 g
	Adaptor for front installation		
	8602/3 Front installation for indicator lamp series 8010/6 and contact element series 8082/3	227038	8 g
Holder for front installation			
	8602/3 holder for cable duct	248673	50 g

Dimensional Drawings (All Dimensions in mm [inches]) – Subject to Alterations

E4



Cut-out with / without front label