



- For installation in enclosure walls, device covers, panels or control cabinets
- Single-hole mounting Ø 30 mm
- Advantageous LED technology: Extremely long service life, high luminance, low heat build-up
- Reliable explosion protection due to pressure-resistant encapsulated contact and lighting elements

E4

WebCode 8018B



R. STAHL Series 8018 LED illuminated pushbuttons switch load, control and signal circuits and show command statuses via a light signal, the colour of which you can determine using the colour filter included in the delivery: Red, yellow, green, blue or white. The long-life LEDs provide high luminance and low heat build-up. The switches are supplied with a connection line.

	IECEx / ATEX					
Zone	0	1	2	20	21	22
Installation in		•	•		•	•

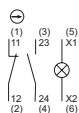
Selection Table					
Product variant	LED illuminated pushbutton Ex e				
Contact material	Contacts	Product Type	Art. No.	Weight	
Silver-nickel	1 NC + 1 NO	8018/3113-al-6	269788	740 g	
	2 NC	8018/3123-al-6	269789	740 g	
	2 NO	8018/3133-al-6	269790	740 g	
Product variant	LED illuminated pushbutton Ex i				
Contact material	Contacts	Product Type	Art. No.	Weight	
Silver-nickel, gold-plated	1 NC + 1 NO	8018/3213-al-6	269791	740 g	
	2 NC	8018/3223-al-6	269792	740 g	
	2 NO	8018/3233-al-6	269793	740 g	

The colour filters red, yellow, green, blue, white are enclosed in the delivery.

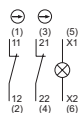
Technical Data		
Variant	LED illuminated pushbutton Ex e	LED illuminated pushbutton Ex i
Explosion Protection		
IECEx gas explosion protection	Ex db mb IIC T6 Gb	Ex db mb ia IIC T6 Gb
IECEx dust explosion protection	Ex tb IIIC T80 °C Db	Ex tb IIIC T80 °C Db
ATEX gas explosion protection	⊕ II 2 G Ex db mb IIC T6 Gb	⊕ II 2 G Ex db mb ia IIC T6 Gb
ATEX dust explosion protection	⊕ II 2 D Ex tb IIIC T80 °C Db	⊕ II 2 D Ex tb IIIC T80 °C Db
Certificates	ATEX (PTB), China (CQST), IECEx (PTB)	
Notes	Product label may vary. Series devices have certification according to ATEX and IECEx.	
Electrical Data		
Rated operational voltage AC	270 V	

Technical Data		
Variant	LED illuminated pushbutton Ex e	LED illuminated pushbutton Ex i
Electrical Data		
Rated operational voltage DC		30 V
Rated operational voltage, indicator lamp part	12 (-10%) to 254 (+6%) V AC/DC	U _i = 10.8 to 28 V DC
Rated operational current, indicator lamp part	0.014 A at 24 V DC	I _i = 150 mA
Frequency	0 to 60 Hz	
Electrical service life	10 ⁸ lighting hours	10 ⁸ lighting hours
Switching capacity AC-12	270 V / 6 A / max. 3000 VA	
Switching capacity AC-15	270 V / 6 A / max. 1250 VA	
Switching capacity DC-13	110 V / 1 A / max. 110 W	
Ambient Conditions		
Ambient temperature	-30 °C ... +60 °C	-30 °C ... +60 °C
Ambient temperature	-22 °F ... +140 °F	-22 °F ... +140 °F
Lighting Data		
Lamp	White LED	White LED
Luminous colour	White Red Green Blue Yellow	White Red Green Blue Yellow
Mechanical Data		
Degree of protection (IP) (IEC 60529)	IP65	IP65
Enclosure material	Polyamide	Polyamide
Silicone-free	Yes	Yes
Conductor length	6 m	6 m
Conductor length, inches	236 in	236 in
Depth of cut-out	104.5 mm	104.5 mm
Mounting depth, inches	4.11 in	4.11 in

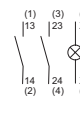
Technical Drawings – Subject to Alterations



Schematic 8018/3.13
The numbers in brackets according core marking




Schematic 8018/3.23
The numbers in brackets according core marking



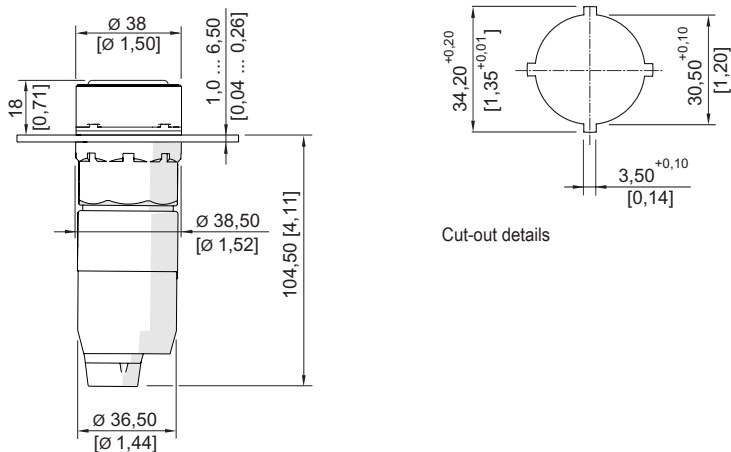
Schematic 8018/3.33
The numbers in brackets according core marking

Accessories

Figure	Description	Art. No.	Weight
	for illuminated pushbutton (spring-return)	155163	19 g

Spare Parts			
Figure	Description	Art. No.	Weight
Colour filter			
	Colour filter for illuminated pushbuttons 8018, all colours	155461	1 g
Closing part			
	8602C3-733-B for closing unused holes in cover, Ø 30.5 mm, NBR	244306	25 g
	8602C3-733-S for closing unused holes in cover, Ø 30.5 mm, silicone	244307	25 g
Colour filter			
	for illuminated pushbuttons white	155877	1 g
	for illuminated pushbuttons red	155882	1 g
	for illuminated pushbuttons yellow	155885	1 g
	for illuminated pushbuttons green	155888	1 g
	for illuminated pushbuttons blue	155891	1 g

Dimensional Drawings (All Dimensions in mm [inches]) – Subject to Alterations



LED illuminated pushbutton

