

- Six basic enclosure sizes, optional inspection windows
- International certification, wide temperature range, seawater-resistant light-metal enclosure
- Empty enclosure
- Custom entries available upon request
- For use in Class I, Div. 1 & 2

E9

WebCode **8265K**



R. STAHL series 8265 are explosionproof and dust-ignitionproof empty enclosures globally certified. The large cover opening allows easier access for mounting and maintenance of components within the enclosure. The cover is also available with a window. R. STAHL can install various equipment in the enclosure including arc and sparking components according to customer requirements. Check with your R. STAHL representative to see if your specified equipment can be mounted in the enclosure.

	IECEX / ATEX					
Zone	0	1	2	20	21	22
Installation in		•	•		•	•

	NEC® 500 CE Code Appendix J					
	Class I		Class II		Class III	
Division	1	2	1	2	1	2
Installation in	•		•		•	

	CE Code Section 18 NEC® 505 NEC® 506					
	Class I			Class II		
Zone	0	1	2	20	21	22
Installation in		•	•			

Selection Table										
Design		Without entry								
Enclosure size	Cover	Width in inches	Width	Height, inches	Height	Length, inches	Length	Product Type	Art. No.	Weight
1	Closed	4.92 in	125 mm	5.2 in	132 mm	4.92 in	125 mm	8265/61-0000	211114	2.77 kg
	With inspection window	4.92 in	125 mm	5.2 in	132 mm	4.92 in	125 mm	8265/61-0020	211089	2.79 kg
2	Closed	6.1 in	155 mm	5.2 in	132 mm	6.1 in	155 mm	8265/62-0000	165778	3.85 kg
	With inspection window	6.1 in	155 mm	5.2 in	132 mm	6.1 in	155 mm	8265/62-0020	165781	4 kg
3	Closed	7.68 in	195 mm	6.77 in	172 mm	7.68 in	195 mm	8265/63-0000	165779	6.58 kg
	With inspection window	7.68 in	195 mm	6.77 in	172 mm	7.68 in	195 mm	8265/63-0020	165782	7 kg
4	Closed	9.29 in	236 mm	8.94 in	227 mm	9.29 in	236 mm	8265/64-0000	165780	10.6 kg
	With inspection window	9.29 in	236 mm	8.94 in	227 mm	9.29 in	236 mm	8265/64-0020	165783	11 kg
5	Closed	11.22 in	285 mm	9.06 in	230 mm	11.22 in	285 mm	8265/65-0000	211128	18.3 kg
	With inspection window	11.22 in	285 mm	9.06 in	230 mm	11.22 in	285 mm	8265/65-0020	211064	18.3 kg
6	Closed	13.19 in	335 mm	11.06 in	281 mm	13.19 in	335 mm	8265/66-0000	202091	27.8 kg
	With inspection window	13.19 in	335 mm	11.06 in	281 mm	13.19 in	335 mm	8265/66-0020	202082	28 kg

Technical Data	
Explosion Protection	
Certificate ULus	E307783

Technical Data
Explosion Protection

Marking ULus	Class I, Div. 1, Groups A,B,C,D Class II,III, Div. 1, E, F, G Enclosure Type 3, 4, 4X Class I, Zone 1, Group IIC
Certificate cUL	E114097
Marking cUL	Class I, Div. 1, Groups A,B,C,D Class II,III, Div. 1, E, F, G Enclosure Type 3, 4, 4X Class I, Zone 1 Group IIC Group IIC
Marking Notes	also for installation in Class I, II & III, Div. 2
IECEx gas explosion protection	Ex db eb IIC Gb
IECEx dust explosion protection	Ex tb IIIC Db
ATEX gas explosion protection	Ⓜ II 2 G Ex db eb IIC Gb
ATEX dust explosion protection	Ⓜ II 2 D Ex tb IIIC Db
Certificates	ATEX (PTB), Canada (UL), IECEx (PTB), USA (UL)
Notes	Product label may vary. Additional certificates available upon request.

Electrical Data

Notes depending on the equipment and components used

Ambient Conditions

Ambient temperature	-58°F ... +122°F
Ambient temperature	-50 °C ... +50 °C

Mechanical Data

Degree of protection (IP)	IP54
Degree of protection note	IP66 with O-ring silicone
Enclosure type (NEMA250)	3, 4, 4X
Enclosure material	Aluminium, copper-free, Seawater-resistant

Accessories

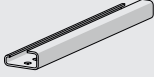
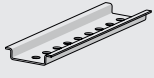
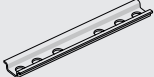
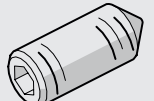
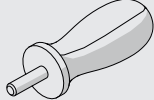
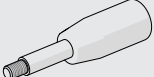
Figure	Description	Art. No.	Weight
Cover without sight glass			
	Enclosure: 8265/1-0000	208861	840 g
	Enclosure: 8265/2-0000	143468	1.43 kg
	Enclosure: 8265/3-0000	143470	2.03 kg
	Enclosure: 8265/4-0000	143472	3.14 kg
	Enclosure: 8265/5-0000	143474	4.9 kg
	Enclosure: 8265/6-0000	143476	8.78 kg


Explosionproof & Dust-ignitionproof Enclosures

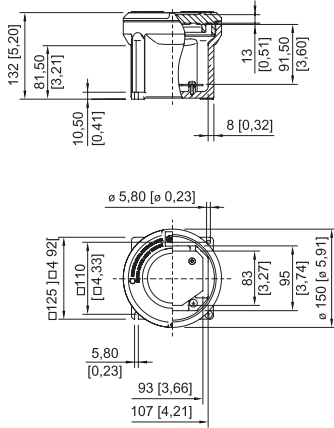
Series 8265 Threaded Enclosure
NEC/CEC

STAHL

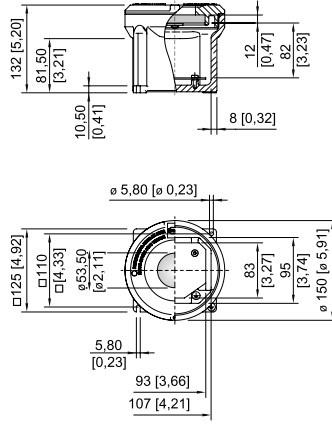
E9

Accessories			
Figure	Description	Art. No.	Weight
Mounting rail			
	G32 length: 133 mm [5.24 in] for enclosure size 3	137939	20 g
	G32 length: 189 mm [7.44 in] for enclosure size 4	137945	130 g
	G32 length: 280 mm [11.02 in] for enclosure size 6	166450	200 g
	TS35 length: 80 mm [3.15 in] for enclosure size 1	212424	27 g
	TS35 length: 105 mm [4.13 in] for enclosure size 2	143498	37 g
	TS35 length: 133 mm [5.24 in] for enclosure size 3	137970	40 g
	TS35 length: 189 mm [7.44 in] for enclosure size 4	137976	60 g
	TS35 length: 218 mm [8.58 in] for enclosure size 5	212426	33 g
	TS35 length: 280 mm [11.02 in] for enclosure size 6	166449	100 g
	TS15 length: 80 mm [3.15 in] for enclosure size 1	212425	13 g
	TS15 length: 105 mm [4.13 in] for enclosure size 2	143497	18 g
	TS15 length: 133 mm [5.24 in] for enclosure size 3	137902	20 g
	TS15 length: 189 mm [7.44 in] for enclosure size 4	137908	29 g
	TS15 length: 218 mm [8.58 in] for enclosure size 5	212427	30 g
	TS15 length: 280 mm [11.02 in] for enclosure size 6	166448	49 g
Threaded pin			
	M5x16-A2 with allen screw and point	110216	1 g
Box spanner			
	to open the enclosure cover for size 1, 2, 3, 4 2 box spanner are required	142059	60 g
	to open the enclosure cover for size 5, 6 2 box spanner are required	221927	214 g

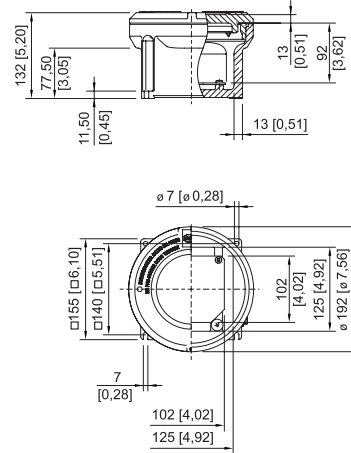
Spare Parts			
Figure	Description	Art. No.	Weight
O-ring			
	silicone, for enclosure size 1	305498	6 g
	silicone, for enclosure size 3	305500	10 g
	silicone, for enclosure size 4	305631	12 g
	silicone, for enclosure size 5	305632	20 g
	silicone, for enclosure size 6	305633	26 g



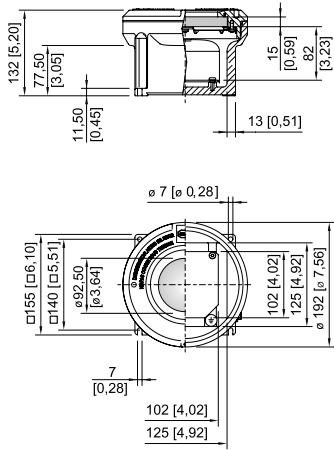
Enclosure size 1 without inspection window



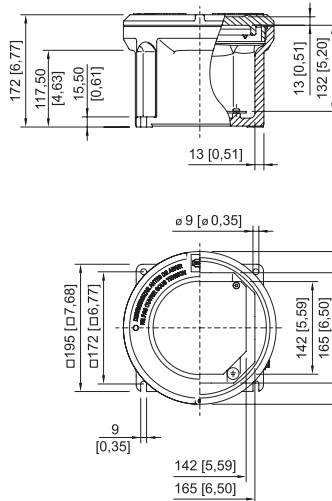
Enclosure size 1 with inspection window



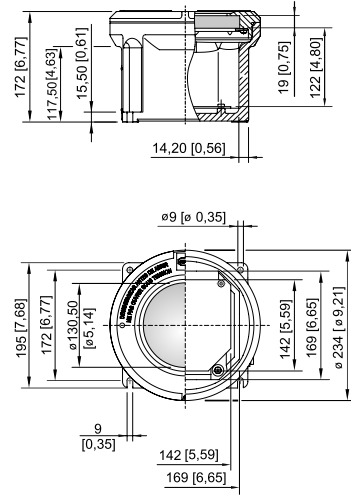
Enclosure size 2 without inspection window



Enclosure size 2 with inspection window



Enclosure size 3 without inspection window



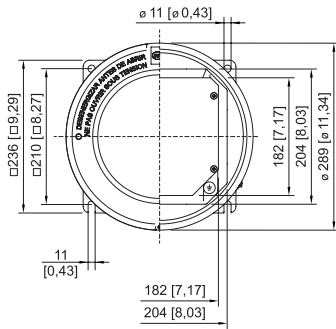
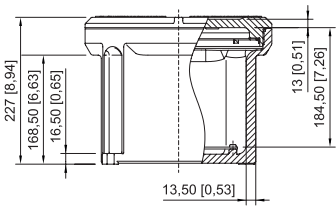
Enclosure size 3 with inspection window

Explosionproof & Dust-ignitionproof Enclosures

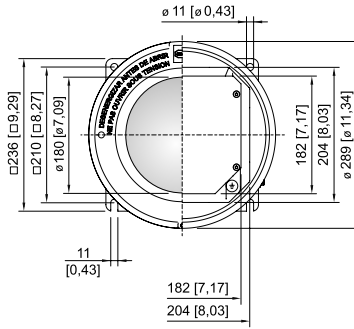
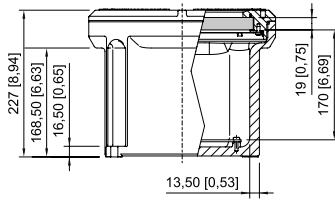
Series 8265 Threaded Enclosure
NEC/CEC



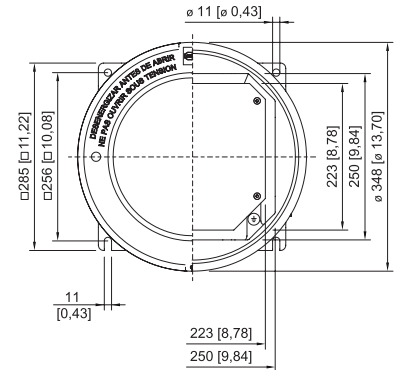
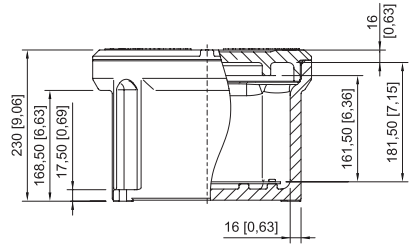
E9



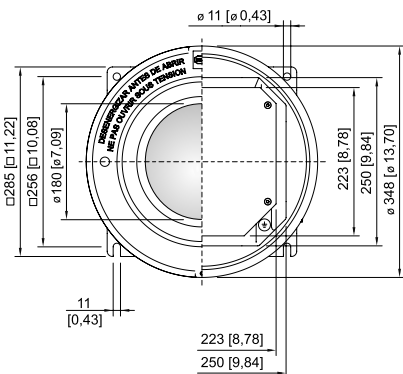
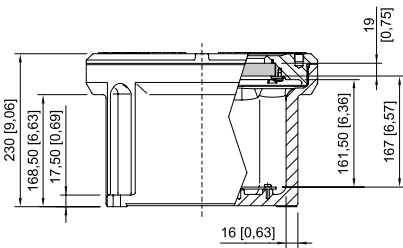
Enclosure size 4 without inspection window



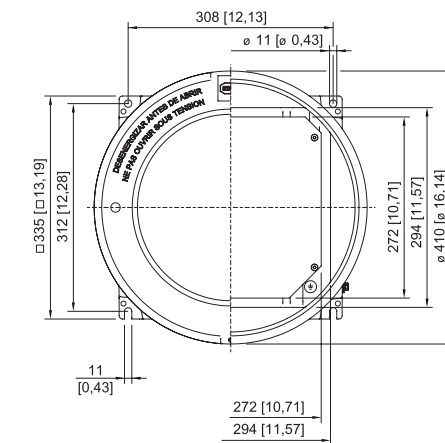
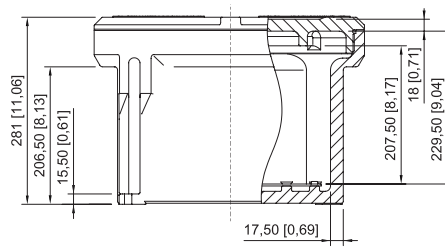
Enclosure size 4 with inspection window



Enclosure size 5 without inspection window

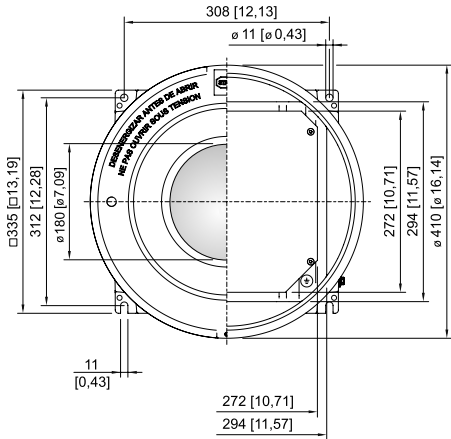
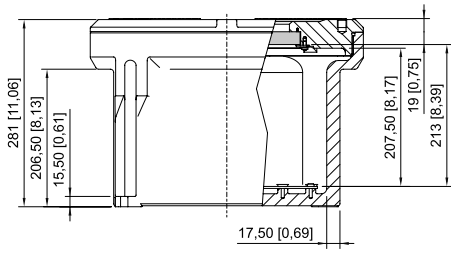


Enclosure size 5 with inspection window



Enclosure size 6 without inspection window

E9



Enclosure size 6 with inspection window