

Compact Moulded Case Circuit Breaker

Series 8568



- Degree of protection: Flameproof 1- and 2-pole with thermal-magnetic branch circuit protection
- Rated operational current from 15 to 125 A
- Maximum rated operational voltage - IEC / ATEX up to 415 V AC and NEC / CEC up to 480 V AC
- 10 kA rated switching capacity IEC/EN 60947 / UL 489
- Isolating function to IEC/EN 60947-2
- Permanently set thermal and magnetic trips
- Design to UL 489 / CSA-C22.2 No. 5 & IEC 60947-2

E9

WebCode **8568A**



Series 8568 molded-case circuit breakers meet all technical requirements relating to safe and selective tripping. When short-circuits occur, they restrict the load on the installed circuits due to their excellent current limiting and related high breaking capacity and provide a high level of discrimination for line-side fuses.

	IECEx / ATEX					
	0	1	2	20	21	22
Zone						
Installation in		•	•		•	•

	NEC 500 CEC Appendix J					
	Class I		Class II		Class III	
Division	1	2	1	2	1	2
Installation in		•				

	CEC Section 18					
	NEC® 505 Class I			NEC® 506		
Zone	0	1	2	20	21	22
Installation in		•	•			

Selection Table				
No. of poles	1			
Rated operational voltage AC (NEC)	347 V			
Rated operational voltage DC (NEC)	125 V			
Rated operational voltage AC	240 V			
Rated operational voltage DC	125 V			
Rated operational current	Product Type	Art. No.	Weight kg	
15 A	8568/MCCB-GS101B-15	219818	2.350	
20 A	8568/MCCB-GS101B-20	219820	2.350	
25 A	8568/MCCB-GS101B-25	240682	2.350	
30 A	8568/MCCB-GS101B-30	219821	2.350	
35 A	8568/MCCB-GS101B-35	240683	2.350	
40 A	8568/MCCB-GS101B-40	219823	2.350	
45 A	8568/MCCB-GS101B-45	240684	2.350	
50 A	8568/MCCB-GS101B-50	240685	2.350	
60 A	8568/MCCB-GS101B-60	219824	2.350	
70 A	8568/MCCB-GS101B-70	240686	2.350	
80 A	8568/MCCB-GS101B-80	240687	2.350	
90 A	8568/MCCB-GS101B-90	240688	2.350	
100 A	8568/MCCB-GS101B-100	240689	2.350	
110 A	8568/MCCB-GS101B-110	240690	2.350	
125 A	8568/MCCB-GS101B-125	240691	2.350	

Selection Table

No. of poles	2
Rated operational voltage AC (NEC)	480 V
Rated operational voltage DC (NEC)	125 V / 250 V
Rated operational voltage AC	240 V / 415 V
Rated operational voltage DC	125 V / 250 V

Rated operational current	Product Type	Art. No.	Weight kg
15 A	8568/MCCB-GS102B-15	240692	3.400
20 A	8568/MCCB-GS102B-20	219825	3.400
25 A	8568/MCCB-GS102B-25	240693	3.400
30 A	8568/MCCB-GS102B-30	219826	3.400
35 A	8568/MCCB-GS102B-35	240694	3.400
40 A	8568/MCCB-GS102B-40	219827	3.400
45 A	8568/MCCB-GS102B-45	240695	3.400
50 A	8568/MCCB-GS102B-50	240696	3.400
60 A	8568/MCCB-GS102B-60	219829	3.400
70 A	8568/MCCB-GS102B-70	240697	3.400
80 A	8568/MCCB-GS102B-80	240698	3.400
90 A	8568/MCCB-GS102B-90	240699	3.400
100 A	8568/MCCB-GS102B-100	219830	3.400
110 A	8568/MCCB-GS102B-110	240700	3.400
125 A	8568/MCCB-GS102B-125	240701	3.400

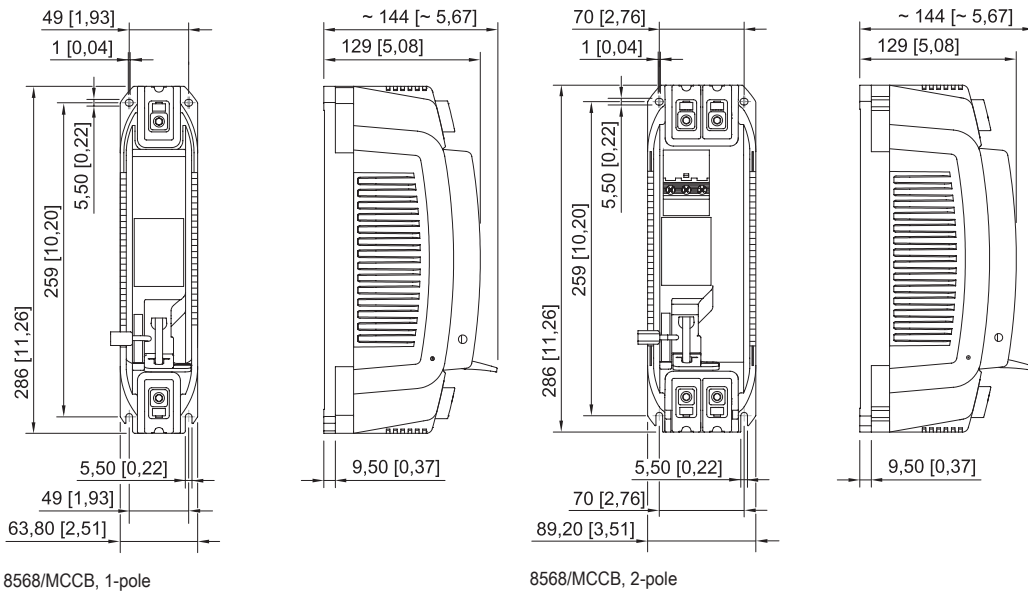
For 250 V DC, 2 poles in series are needed.

Technical Data

Variant	15 A ... 60 A	70 A ... 125 A
Explosion Protection		
Application range (Zone) note	Can be used in Zone 21 / 22 with protection by installation in enclosure Ex tb / tc	Can be used in Zone 21 / 22 with protection by installation in enclosure Ex tb / tc
IECEx gas explosion protection	Ex db eb IIC T4 ... T6 Gb	Ex db eb IIC T4 ... T5 Gb
ATEX gas explosion protection	⊕ II 2 G Ex db eb IIC T4 ... T6 Gb	⊕ II 2 G Ex db eb IIC T4 ... T5 Gb
Marking FMus	Class I, Div. 2, Groups A,B,C,D; T6 ... T4, Class I, Zone 1, AEx db eb IIC T6 ... T4	Class I, Div. 2, Groups A,B,C,D; T6 ... T4, Class I, Zone 1, AEx db eb IIC T6 ... T4
Marking cFM	Class I, Div. 2, Groups A,B,C,D; T6 ... T4, Class I, Zone 1, Ex db eb IIC T6 ... T4	Class I, Div. 2, Groups A,B,C,D; T6 ... T4, Class I, Zone 1, Ex db eb IIC T6 ... T4
Certificates	ATEX (FM), Canada (FM), IECEx (FM), USA (FM)	ATEX (FM), Canada (FM), IECEx (FM), USA (FM)
Electrical Data		
Type of voltage	AC/DC	AC/DC
Auxiliary contacts	without	without
Auxiliary contacts 2	without	without
N-pole present	No	No
Rated switching capacity	10 kA	10 kA
Ambient Conditions		
Ambient temperature	-30 °C ... +40 °C (T6) -30 °C ... +60 °C (T4)	-30 °C ... +40 °C (T5) -30 °C ... +60 °C (T4)
Ambient temperature	-22 °F ... +104 °F (T6) -22 °F ... +140 °F (T4)	-22 °F ... +104 °F (T5) -22 °F ... +140 °F (T4)
Note	Ambient temperature range for the location of the equipment installation. For installation up to +60 °C (+140 °F), consult the factory.	Ambient temperature range for the location of the equipment installation. For installation up to +60 °C (+140 °F), consult the factory.

Technical Data		
Variant	15 A ... 60 A	70 A ... 125 A
Mechanical Data		
Degree of protection (IP)	IP20	IP20
Enclosure material	Epoxy resin	Epoxy resin
Connection cross-section	6 ... 50 mm ²	35 ... 95 mm ²
Connection cross-section AWG	10 AWG ... 1/0 AWG	AWG2 ... AWG4/0
Mounting / Installation		
Tightening torque	6 – 8 Nm	15 – 20 Nm
Tightening torque lbf in	53 to 71 lbf in	132 to 177 lbf in

Dimensional Drawings (All Dimensions in mm [inches]) – Subject to Alterations



8568/MCCB, 1-pole

8568/MCCB, 2-pole