



- Ex d und Ex e metal stopping plugs
- Large selection of thread types and sizes
- Operating temperature range: -60 °C to +200 °C
- Worldwide certification, IECEx, ATEX, UL and cCSAus

E10

WebCode 747DA



The metal Ex-d stopping plugs from the 747 series with a hexagon socket and without a projecting head enable temporary or long-term plugging of unused drilled holes. There is a wide selection of different thread sizes and types available. They have worldwide certification according to IECEx, ATEX, UL and cCSAus.

	IECEx / ATEX					
Zone	0	1	2	20	21	22
Installation in		•	•	•	•	•

Selection Table						
Material	Nickel-plated brass					
Thread size	Outer diameter	Dimension b	Dimension d	Thread length	Art. No.	Weight
NPT1	33.6 mm	15 mm	25 mm	25 mm	230108	150 g
NPT1/2	21.5 mm	6.4 mm	12 mm	19.9 mm	230106	100 g
NPT1-1/2	48.5 mm	15.9 mm	39 mm	26.1 mm	253015	150 g
NPT1-1/4	42.4 mm	15.4 mm	32 mm	25.6 mm	253014	1 kg
NPT2	60.5 mm	16.7 mm	49 mm	26.9 mm	253016	1 kg
NPT2-1/2	73.3 mm	29.7 mm	57 mm	39.9 mm	253017	100 g
NPT3/4	26.9 mm	6.4 mm	18 mm	20.2 mm	230107	125 g
Material	Stainless steel					
Thread size	Outer diameter	Dimension b	Dimension d	Thread length	Art. No.	Weight
NPT1	33.6 mm	15 mm	25 mm	25 mm	230111	1 kg
NPT1/2	21.5 mm	6.4 mm	12 mm	19.9 mm	230109	100 g
NPT1-1/2	48.5 mm	15.9 mm	39 mm	26.1 mm	253020	200 g
NPT1-1/4	42.4 mm	15.4 mm	32 mm	25.6 mm	253019	500 g
NPT2	60.5 mm	16.7 mm	49 mm	26.9 mm	253021	290 g
NPT2-1/2	73.3 mm	29.7 mm	57 mm	39.9 mm	253022	320 g
NPT3/4	26.9 mm	6.4 mm	18 mm	20.2 mm	230110	125 g

Technical Data	
Explosion Protection	
IECEx gas explosion protection	Ex db IIC Gb
IECEx firedamp protection	Ex db I Mb

Technical Data

Explosion Protection

IECEx firedamp protection 2	Ex eb I Mb
ATEX gas explosion protection	II 2 G Ex db IIC Gb
ATEX firedamp protection	I M2 Ex db I Mb
ATEX firedamp protection 2	I M2 Ex eb I Mb

Notes: The product certification and certificates can be downloaded from the manufacturer's homepage (www.cmp-products.com)

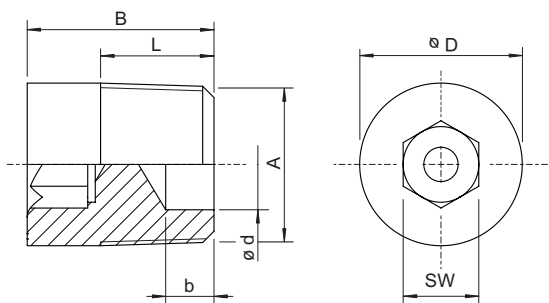
Ambient Conditions

Ambient temperature	-60 °C ... +200 °C
---------------------	--------------------

Mechanical Data

Degree of protection (IP)	IP66
Drive	Hexagon socket
Silicone-free	Yes

Dimensional Drawings (All Dimensions in mm [inches]) – Subject to Alterations



A = Thread size B = Length L = Thread length
d = Dimension d b = Dimension b
D = Outer diameter
SW = Hexagon socket width across flats