

Stopping Plugs with a Truss Head made of Metal

Series CMP-767

STAHL



- Ex-d und Ex-e metal stopping plugs
- Large selection of metric thread sizes
- Operating temperature range: -60 °C to +200 °C
- Worldwide certification, IECEx, ATEX, UL and cCSAus

E10

WebCode 767DA



The metallic Ex-d stopping plugs from the 767 series with a truss head and hexagon socket enable temporary or continuous plugging of unused drilled holes. There is a large selection of different metric thread sizes and types available. They have worldwide certification according to IECEx, ATEX, UL and cCSAus.

	IECEx / ATEX					
Zone	0	1	2	20	21	22
Installation in		•	•	•	•	•

Selection Table					
Material	Nickel-plated brass				
Thread size	Outer diameter	Thread length	Art. No.	Weight	
M20	27 mm	15 mm	253039	75 g	
M25	30 mm	15 mm	253040	90 g	
M32	36 mm	15 mm	253041	110 g	
M40	46 mm	15 mm	253042	200 g	
M50	55 mm	15 mm	253043	360 g	
M63	68 mm	15 mm	253044	500 g	
M75	80 mm	15 mm	253045	700 g	

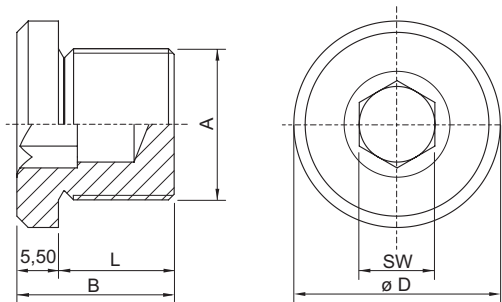
Technical Data	
Explosion Protection	
IECEx gas explosion protection	Ex db IIC Gb
IECEx firedamp protection	Ex db I Mb
IECEx firedamp protection 2	Ex eb I Mb
ATEX gas explosion protection	Ⓔ II 2 G Ex db IIC Gb
ATEX firedamp protection	Ⓔ I M2 Ex db I Mb
ATEX firedamp protection 2	Ⓔ I M2 Ex eb I Mb
Notes	The product certification and certificates can be downloaded from the manufacturer's homepage (www.cmp-products.com)
Ambient Conditions	
Ambient temperature	-60 °C ... +200 °C
Mechanical Data	
Degree of protection (IP)	IP66

Technical Data

Mechanical Data

Degree of protection note	IP67 and IP68 mounting in accordance with the specifications of the manufacturer, CMP
Drive	Hexagon socket
Silicone-free	Yes

Dimensional Drawings (All Dimensions in mm [inches]) – Subject to Alterations



A = Thread size B = Length L = Thread length
D = Outer diameter SW = Width across flats