



- Large temperature range of use
- Plastic Ex e enclosure
- Degree of protection IP66/67
- Five different contact versions
- Different actuator versions, which can be displaced by 4 x 90°
- Also applicable as simple apparatus

E4

WebCode **8060B**

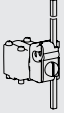

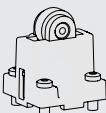

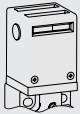



Plastic position switch; switch dimensions meet the requirements of DIN EN 50047. It is designed to detect the position of moving components. Certified versions fulfil the requirements for safety switches as set out in EN 13849-1 and have positive-opening contacts in accordance with EN 60947-5-1.

	IECEX / ATEX					
Zone	0	1	2	20	21	22
Installation in		•	•		•	•

Selection Table							
Actuator		Adjustable rotary lever					
Figure	Contacts	Switching function	AC operating voltage (equal potential)	Positive opening operation	Product Type	Art. No.	Weight
	1 NC + 1 NO	Slow-action contact	500 V	No	8060/2-1-DS-60	254890	130 g
		Slow-action contact, Overlapping	500 V	No	8060/2-5-DS-60	254896	130 g
		Snap-action contact	500 V	No	8060/2-2-DS-60	254899	130 g
	2 NC	Slow-action contact	400 V	No	8060/2-3-DS-60	254893	130 g
Actuator		Parallel roller lever					
Figure	Contacts	Switching function	AC operating voltage (equal potential)	Positive opening operation	Product Type	Art. No.	Weight
	1 NC + 1 NO	Slow-action contact	500 V	Yes	8060/2-1-WPH-60	254885	102 g
		Slow-action contact, Overlapping	500 V	Yes	8060/2-5-WPH-60	254887	102 g
		Snap-action contact	500 V	Yes	8060/2-2-WPH-60	254888	102 g
	2 NC	Slow-action contact	400 V	Yes	8060/2-3-WPH-60	254886	102 g
Actuator		Plunger					
Figure	Contacts	Switching function	AC operating voltage (equal potential)	Positive opening operation	Product Type	Art. No.	Weight
	1 NC + 1 NO	Slow-action contact	500 V	Yes	8060/2-1-W-60	254793	96 g
		Slow-action contact, Overlapping	500 V	Yes	8060/2-5-W-60	254797	96 g
		Snap-action contact	500 V	Yes	8060/2-2-W-60	254799	96 g
	2 NC	Slow-action contact	400 V	Yes	8060/2-3-W-60	254795	96 g

Selection Table

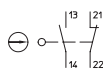
Actuator		Rod lever					
Figure	Contacts	Switching function	AC operating voltage (equal potential)	Positive opening operation	Product Type	Art. No.	Weight
	1 NC + 1 NO	Slow-action contact	500 V	No	8060/2-1-DD-60	254891	133 g
		Slow-action contact, Overlapping	500 V	No	8060/2-5-DD-60	254897	133 g
		Snap-action contact	500 V	No	8060/2-2-DD-60	254900	133 g
	2 NC	Slow-action contact	400 V	No	8060/2-3-DD-60	254894	133 g
Actuator		Roller lever					
Figure	Contacts	Switching function	AC operating voltage (equal potential)	Positive opening operation	Product Type	Art. No.	Weight
	1 NC + 1 NO	Slow-action contact	500 V	Yes	8060/2-1-WH-60	254881	101 g
		Slow-action contact, Overlapping	500 V	Yes	8060/2-5-WH-60	254883	101 g
		Snap-action contact	500 V	Yes	8060/2-2-WH-60	254884	101 g
	2 NC	Slow-action contact	400 V	Yes	8060/2-3-WH-60	254882	101 g
Actuator		Roller plunger					
Figure	Contacts	Switching function	AC operating voltage (equal potential)	Positive opening operation	Product Type	Art. No.	Weight
	1 NC + 1 NO	Slow-action contact	500 V	Yes	8060/2-1-R-60	254794	100 g
		Slow-action contact, Overlapping	500 V	Yes	8060/2-5-R-60	254798	100 g
		Snap-action contact	500 V	Yes	8060/2-2-R-60	254800	100 g
	2 NC	Slow-action contact	400 V	Yes	8060/2-3-R-60	254796	100 g
Actuator		Rotary lever					
Figure	Contacts	Switching function	AC operating voltage (equal potential)	Positive opening operation	Product Type	Art. No.	Weight
	1 NC + 1 NO	Slow-action contact	500 V	Yes	8060/2-1-D-60	254889	115 g
		Slow-action contact, Overlapping	500 V	Yes	8060/2-5-D-60	254895	115 g
		Snap-action contact	500 V	Yes	8060/2-2-D-60	254898	115 g
	2 NC	Slow-action contact	400 V	Yes	8060/2-3-D-60	254892	115 g
Actuator		Safety switch					
Figure	Contacts	Switching function	AC operating voltage (equal potential)	Positive opening operation	Product Type	Art. No.	Weight
	1 NC + 1 NO	Slow-action contact	500 V	Yes	8060/2-1-AZ-60	254902	127 g
	2 NC	Slow-action contact	400 V	Yes	8060/2-3-AZ-60	257239	127 g
Actuator		Spring rod head					
Figure	Contacts	Switching function	AC operating voltage (equal potential)	Positive opening operation	Product Type	Art. No.	Weight
	1 NC + 1 NO	Snap-action contact	500 V	No	8060/2-2-TK-60	254901	122 g

The actuators enclosed are not mounted.
Actuators without positive opening are not suitable for safety circuits!

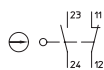
Safety switch, separate actuator made of metal (please order separately; see spare parts and accessories)

Technical Data		
Variant		
Explosion Protection		
IECEX gas explosion protection	Ex db eb IIC T6 Gb	Ex db eb IIC T6 Gb
ATEX gas explosion protection	Ⓜ II 2 G Ex db eb IIC T6 Gb	Ⓜ II 2 G Ex db eb IIC T6 Gb
IECEX dust explosion protection	Ex tb IIIC T80 °C Db	Ex tb IIIC T80 °C Db
ATEX dust explosion protection	Ⓜ II 2 D Ex tb IIIC T80 °C Db	Ⓜ II 2 D Ex tb IIIC T80 °C Db
Certificates	ATEX (BVS), Canada (CSA), China (CQST), IECEX (BVS), India (PESO), Korea (KGS), USA (CSA)	ATEX (BVS), Canada (CSA), China (CQST), IECEX (BVS), India (PESO), Korea (KGS), USA (CSA)
Declaration of Conformity	ATEX (EUK), ATEX (Simple apparatus), Declaration of Conformity (ATEX)	ATEX (EUK), ATEX (Simple apparatus), Declaration of Conformity (ATEX)
Electrical Data		
Rated operational voltage DC	125 V	125 V
AC operating voltage (unequal potential)	250 V	250 V
Rated insulation voltage	500 V	500 V
Rated insulation voltage note	(for simple apparatus: 40 V)	(for simple apparatus: 40 V)
Rated operational current note	(for simple apparatus: 200 mA): inductance L _i and capacitance C _i are negligible	(for simple apparatus: 200 mA): inductance L _i and capacitance C _i are negligible
Electrical service life	Max. 10 ⁶ operating cycles	Max. 10 ⁶ operating cycles
Mechanical service life	Max. 10 ⁶ operating cycles	Max. 10 ⁶ operating cycles
Rated surge voltage	6 kV	6 kV
Maximum operating frequency	1800 operating cycles/h	1800 operating cycles/h
Ambient Conditions		
Ambient temperature	-60 °C ... +55 °C (Max. 4 A) -60 °C ... +60 °C (Max. 2 A)	-60 °C ... +55 °C (Max. 4 A) -60 °C ... +60 °C (Max. 2 A)
Mechanical Data		
Degree of protection (IP)	IP66	IP66
Enclosure material	Thermoplast GF, impact resistant	Thermoplast GF, impact resistant
Cover material	Duroplast GF, impact resistant	Duroplast GF, impact resistant
Contact material	Silver-nickel	Silver-nickel
Finely stranded connection cross section	0.75 – 1.5 mm ²	0.75 – 1.5 mm ²
Solid connection cross section	0.75 – 1.5 mm ²	0.75 – 1.5 mm ²
Contact system	2-pole, galvanically separated with double break	2-pole, galvanically separated with double break
Contact opening	≥ 1.5 mm (isolating distance ≥ 3 mm)	≥ 1.5 mm (isolating distance ≥ 3 mm)
Seal	Silicone	Silicone
Components		
Cable glands and entries	1 x M20 Ø 7 to 13 mm	1 x M20 Ø 7 to 13 mm
Cable entry material	Polyamide	Polyamide

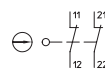
Switching Capacity	
Version 8060/2-1-... and 8060/2-2-...	
AC-12	max. 250 V max. 500 V for equal potential max. 4 A max. 5000 VA
AC-15	max. 250 V max. 500 V for equal potential max. 4 A max. 1000 VA
DC-12	max. 125 V max. 4 A max. 400 W

Technical Drawings – Subject to Alterations


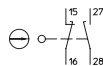
Slow-action contact 1 NC + 1 NO
8060/-1, 807./2-1



Snap-action contact 1 NC + 1 NO
8060/-2, 807./2-2




Slow-action contact 2 NC
8060/-3_807./2-3


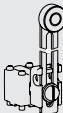







Slow-action contact 1 NC + 1 NO, make before break
8060/-5; 807./2-5

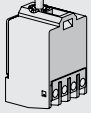
Accessories

Figure	Description	Art. No.	Weight
Cable gland made of plastic			
	8161/7-M20-1307, Ex e Plastic, M20 x 1.5, cable outer diameter 7 to 13 mm Lot size 50 pieces	239172	13 g

Spare Parts

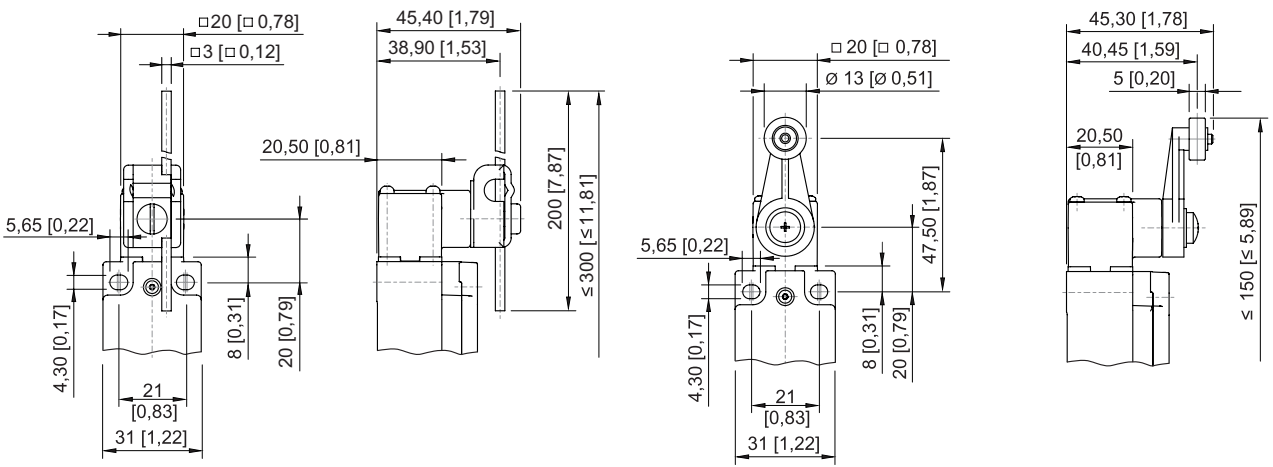
Figure	Description	Art. No.	Weight
Actuator			
	Rod lever actuator	257059	50 g
	Adjustable rotary lever actuator	257058	20 g
	Rotary lever actuator	257057	35 g
	Parallel roller lever actuator	257056	22 g
	Roller lever actuator	257055	20 g
	Roller plunger actuator	257054	20 g
	Spring rod head actuator	257060	55 g

Spare Parts

Figure	Description	Art. No.	Weight
Contact element			
	2 NC slow-action contact 8080/1-3	132532	25 g
	1 NC + 1 NO slow-action contact 8080/1-1	132529	25 g
	1 NC + 1 NO slow-action contact 8080/1-2	279482	25 g

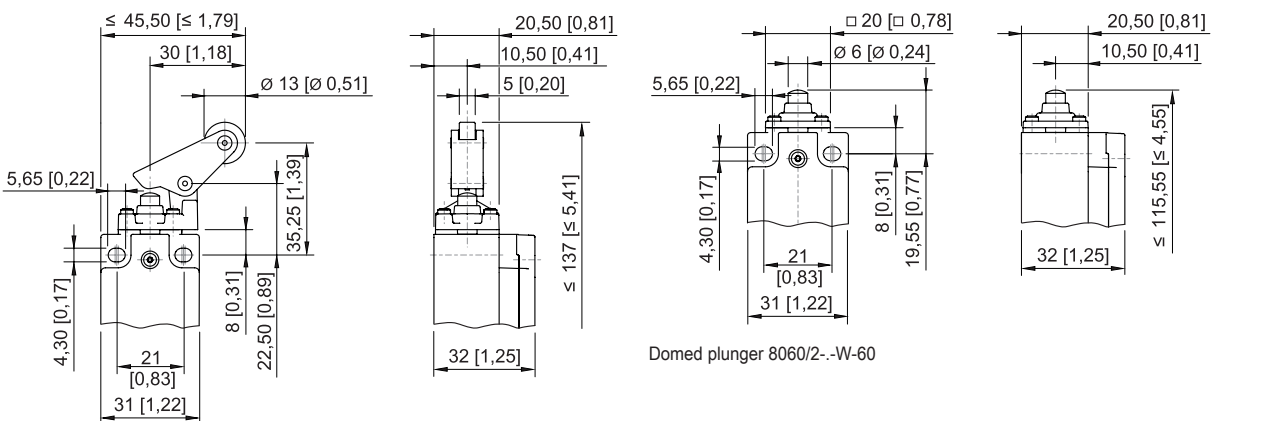
The cable glands are included in the scope of delivery.
 Lot size: Purchase order quantity in [pieces], the delivery quantity is automatically rounded to the lot size.

Dimensional Drawings (All Dimensions in mm [inches]) – Subject to Alterations



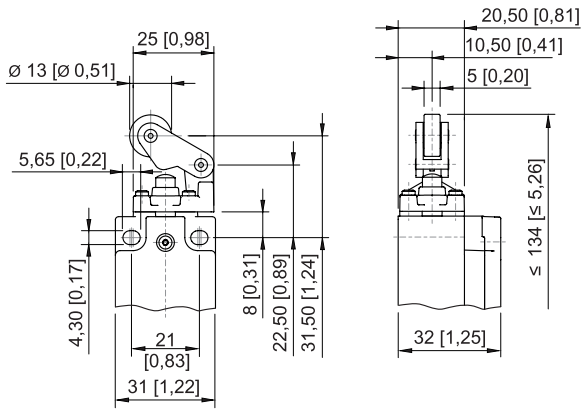
Rod lever 8060/2--DD-60

Swivelling lever 8060/2--D-60

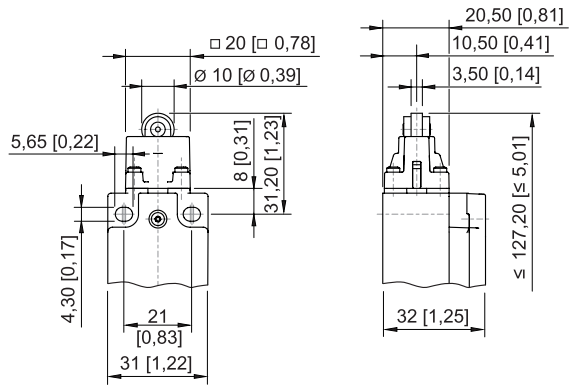


Roller lever 8060/2--WPH-60

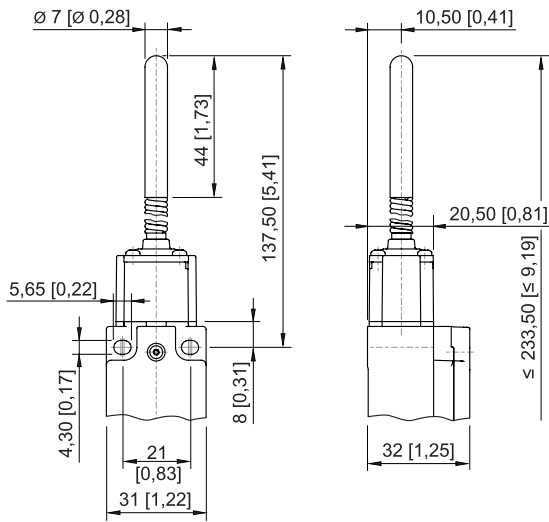
Domed plunger 8060/2--W-60



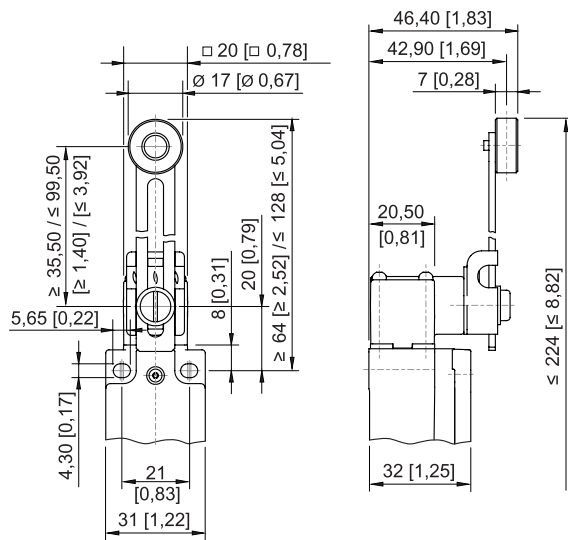
Roller lever 8060/2--WH-60



Roller plunger 8060/2--R-60



Roller plunger 8060/2--R-60



Swivelling lever 8060/2--DS-60

