



- Compact dimensions
- Wide temperature range for use
- High mechanical impact and shock resistance
- Perfect protection against the ingress of liquids and dust
- 3D data available to download from the website

E3

MY R. STAHL 8573B



The sockets of the new R. STAHL Series 8573/13 are for 2- or 3-pole applications up to 16 A. The compact sockets for extra-low voltage up to 50 V are made from robust and chemical-resistant plastics. Self-cleaning lamellar contacts provide optimum contact. The integrated rotary switch mechanism and integrated locking device reliably prevent disconnection under loads.

The new compact socket from Series 8573/13 replaces Series 8575 sockets, is 100% compatible with this series and can be used with Series 8575 plugs.

	IECEX / ATEX					
Zone	0	1	2	20	21	22
Installation in		•	•		•	•

Selection Table								
Product Description		Wall-mounting socket 16 A compact Extra-low voltage						
Figure	Detailed number of poles	Coding (clock hour position)	Rated operational voltage AC	Colour code	Frequency range	Product Type	Art. No.	Weight
	2 P	0	20 to 25 V AC	Violet	50 / 60 Hz	8573/13-200	243157	300 g
		2	20 to 25 & 40 to 50 V AC	Green	300 Hz	8573/13-202	243158	300 g
		3	20 to 25 & 40 to 50 V AC	Green	400 Hz	8573/13-203	243159	300 g
		4	20 to 25 & 40 to 50 V AC	Green	100 – 200 Hz	8573/13-204	243160	300 g
		10	20 to 25 V DC	Violet	–	8573/13-210	243173	300 g
		11	20 to 25 & 40 to 50 V AC	Green	> 400 – 500 Hz	8573/13-211	243171	300 g
		12	40 to 50 V AC	Light grey	50 / 60 Hz	8573/13-212	243172	300 g
	3 P	0	20 to 25 V AC	Violet	50 / 60 Hz	8573/13-300	241380	300 g
		2	20 to 25 & 40 to 50 V AC	Green	300 Hz	8573/13-302	241384	300 g
		3	20 to 25 & 40 to 50 V AC	Green	400 Hz	8573/13-303	243152	300 g
		4	20 to 25 & 40 to 50 V AC	Green	100 – 200 Hz	8573/13-304	243153	300 g
		11	20 to 25 & 40 to 50 V AC	Green	> 400 – 500 Hz	8573/13-311	243154	300 g
		12	40 to 50 V AC	Light grey	50 / 60 Hz	8573/13-312	243155	300 g

Technical Data
Explosion Protection

Scope of validity	European Union (ATEX) IECEX China (CQST)
IECEX gas explosion protection	Ex db eb IIC T6 Gb
IECEX dust explosion protection	Ex tb IIIC T70 °C Db
ATEX gas explosion protection	Ⓜ II 2 G Ex db eb IIC T6 Gb
ATEX dust explosion protection	Ⓜ II 2 D Ex tb IIIC T70 °C Db
Certificates	ATEX (PTB), China (CQST), IECEX (PTB)
Declaration of Conformity	ATEX (EUK), China (CCC)
Explosion protection note	Product label may vary. Series devices have certification according to ATEX and IECEX.

Electrical Data

Rated operational current	max. 16 A
Notes	The current must be reduced to 12 A for frequencies \geq 100 Hz

Ambient Conditions

Ambient temperature	-50 °C to +60 °C
Notes	For further information, see the operating instructions.

Mechanical Data

Degree of protection IP (IEC 60529)	IP66
IP degree of protection (IEC 60079)	IP64
Enclosure material	Polyamide, Glass fibre reinforced
Silicone-free	No
Silicone-free note	Optional: Silicone-free variant available on request (ambient temperature -40 °C to +60 °C)
Solid connection cross-section	1 x 0.75 mm ² ... 2 x 4 mm ²
Finely stranded connection cross-section	1 x 0.75 mm ² ... 2 x 4 mm ²
Impact strength (IEC 60079)	7 J

Components

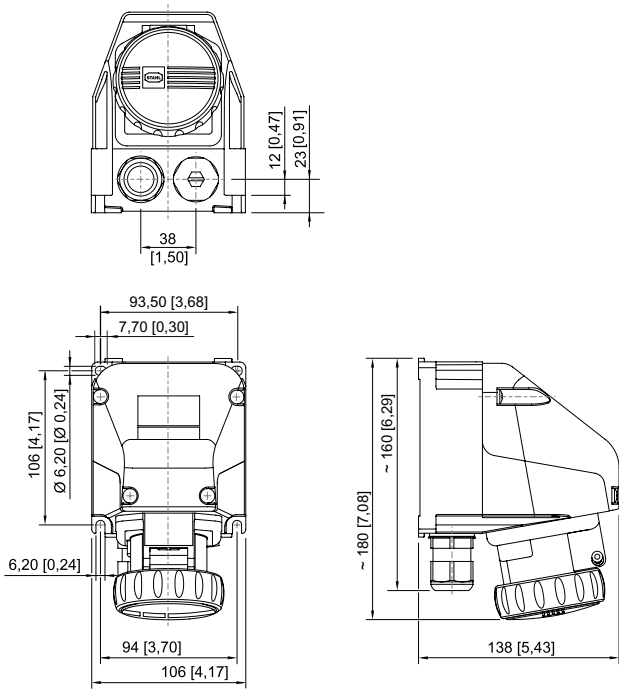
Cable entry note	Entry 1: Lower left Entry 2: Lower right
Entry 1 model	8161/7-M25-1707-LT
Entry 1	M25 x 1.5
Entry 1 terminal area	7 – 17 mm
Metal entry possible 1	No
Entry 2 model	8290/3-M25
Entry 2	M25 x 1.5
Metal entry possible 2	No
Notes	Cable gland position: Bottom (standard); optionally also possible on the top or lateral

Accessories

Figure	Description	Art. No.	Weight
Dust cover for socket, compact, extra-low voltage, Series 8573/13			
	Retrofittable dust protection for 2/3-pole sockets	257439	10 g

Dimensional Drawings (All Dimensions in mm [inches]) – Subject to Alterations

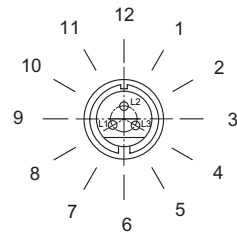
E3



Compact wall-mounting socket, extra-low voltage

Arrangement of earth contact sleeves

Position: Clock hour position,
view: Front side of the socket



Arrangement of socket contacts and terminal markings



Arrangement of the socket contacts and terminal markings in the 12 h position
(view from the front side of the socket to the socket contacts)