



- Universal use for 2-wire transmitters and mA sources (4-wire transmitter)
- Slim design – 12.5 mm wide – for one- and two-channel versions
- Can be used for safety levels up to SIL 2 (IEC/EN 61508)

A3

WebCode **9260A**



Series 9260 transmitter supply units can be used for the intrinsically safe operation of two-wire transmitters or intrinsically safe mA sources such as 4-wire transmitters. The device allows HART signals to be transmitted in both directions. The portfolio includes single- and dual-channel devices and a version for signal duplication.

|                 | IECEX / ATEX |   |   |    |    |    |
|-----------------|--------------|---|---|----|----|----|
| Zone            | 0            | 1 | 2 | 20 | 21 | 22 |
| Ex interface    | •            | • | • | •  | •  | •  |
| Installation in |              |   | • |    |    |    |

|                 | NEC 500<br>CEC Appendix J |   |          |   |           |   |
|-----------------|---------------------------|---|----------|---|-----------|---|
|                 | Class I                   |   | Class II |   | Class III |   |
| Division        | 1                         | 2 | 1        | 2 | 1         | 2 |
| Ex interface    | •                         | • | •        | • | •         | • |
| Installation in |                           | • |          |   |           |   |

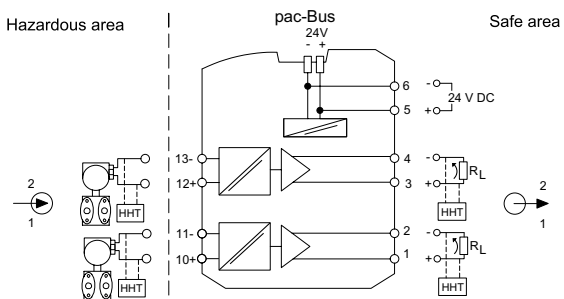
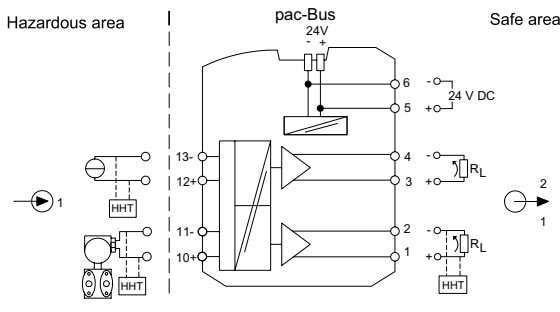
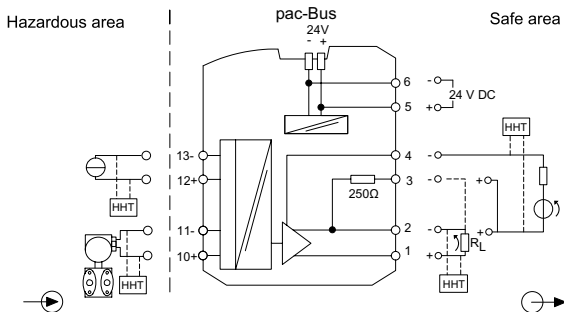
|                 | CEC Section 18 |   |   |          |    |    |
|-----------------|----------------|---|---|----------|----|----|
|                 | NEC® 505       |   |   | NEC® 506 |    |    |
| Zone            | Class I        |   |   |          |    |    |
|                 | 0              | 1 | 2 | 20       | 21 | 22 |
| Ex interface    | •              | • | • |          |    |    |
| Installation in |                |   | • |          |    |    |



| Selection Table          |  |               |                              |                |          |           |
|--------------------------|--|---------------|------------------------------|----------------|----------|-----------|
| Output version (control) | 0/4 ... 20 mA active / passive with HART |               |                              |                |          |           |
| Number of channels       | Input signal                             | Output A      | Output B                     | Product Type   | Art. No. | Weight kg |
| 1                        | 0/4 ... 20 mA with HART                  | 0/4 ... 20 mA | –                            | 9260/13-11-10s | 261384 ▲ | 0.185     |
| Output version (control) | 0/4 ... 20 mA active / with HART         |               |                              |                |          |           |
| Number of channels       | Input signal                             | Output A      | Output B                     | Product Type   | Art. No. | Weight kg |
| 1                        | 0/4 ... 20 mA with HART                  | 0/4 ... 20 mA | 0/4 ... 20 mA (without HART) | 9260/19-11-10s | 261385 ▲ | 0.195     |
| 2                        | 4 ... 20 mA with HART                    | 4 ... 20 mA   | 4 ... 20 mA                  | 9260/23-11-10s | 261386 ▲ | 0.195     |

| Technical Data                  |   |   |   |
|---------------------------------|---|---|---|
| Variant                         | 9260/13-11-10s  | 9260/19-11-10s  | 9260/23-11-10s  |
| Explosion Protection            |   |   |   |
| IECEX gas explosion protection  | Ex nA [ja Ga] IIC T4 Gc                               | Ex nA [ja Ga] IIC T4 Gc                               | Ex nA [ja Ga] IIC T4 Gc                               |
| IECEX dust explosion protection | [Ex ia Da] IIIC                                       | [Ex ia Da] IIIC                                       | [Ex ia Da] IIIC                                       |
| IECEX firedamp protection       | [Ex ia Ma] I  |   |   |
| ATEX gas explosion protection   | ⊕ II 3 (1) G Ex nA [ja Ga] IIC T4 Gc                  | ⊕ II 3 (1) G Ex nA [ja Ga] IIC T4 Gc                  | ⊕ II 3 (1) G Ex nA [ja Ga] IIC T4 Gc                  |
| ATEX dust explosion protection  | ⊕ II (1) D [Ex ia Da] IIIC                            | ⊕ II (1) D [Ex ia Da] IIIC                            | ⊕ II (1) D [Ex ia Da] IIIC                            |
| ATEX firedamp protection        | ⊕ I (M1) [Ex ia Ma] I                                 |   |   |
| Certificates                    | ATEX (BVS), Canada / USA (UL), IECEX (BVS), SIL (BVS) | ATEX (BVS), Canada / USA (UL), IECEX (BVS), SIL (BVS) | ATEX (BVS), Canada / USA (UL), IECEX (BVS), SIL (BVS) |
| Ship approval                   | DNV GL  | DNV GL  | DNV GL  |
| Safety Data                     |   |   |   |
| Maximum voltage U <sub>0</sub>  | 25.2 V  | 25.2 V  | 25.2 V  |

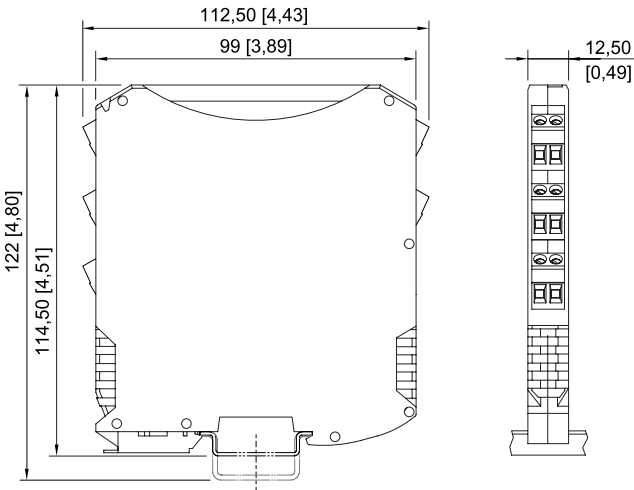
| Technical Data                     |   |   |                            |
|------------------------------------|---|---|----------------------------|
| Variant                            | 9260/13-11-10s                                | 9260/19-11-10s                                | 9260/23-11-10s             |
| Safety Data                        |   |   |                            |
| Maximum current $I_o$              | 93 mA   | 93 mA   | 93 mA                      |
| Maximum power $P_o$                | 587 mW  | 587 mW  | 587 mW                     |
| Safety-related maximum voltage     | 253 V AC                                      | 253 V AC                                      | 253 V AC                   |
| Functional Safety                  |   |   |                            |
| SIL                                | 2   | 2   | 2                          |
| Electrical Data                    |   |   |                            |
| LFD relay                          | No  | No  | No                         |
| Input                              |   |   |                            |
| Input function                     | Isolation amplifier<br>Transmitter power unit | Isolation amplifier<br>Transmitter power unit | Transmitter power unit     |
| Supply voltage for transmitter     | $\geq 16$ V at 20 mA                          | $\geq 16$ V at 20 mA                          | $\geq 16$ V at 20 mA       |
| Output                             |   |   |                            |
| Load resistance $R_L$ max.         | 1000 $\Omega$                                 | 450 $\Omega$                                  | 450 $\Omega$               |
| Deviation                          | $\leq 0,1$ %                                  | $\leq 0,1$ %                                  | $\leq 0,1$ %               |
| Temperature influence error limits | $< 0.1\%$ / 10 K                              | $< 0.1\%$ / 10 K                              | $< 0.1\%$ / 10 K           |
| Ambient Conditions                 |   |   |                            |
| Ambient temperature                | -20 °C ... +60 °C                             | -20 °C ... +60 °C                             | -20 °C ... +60 °C          |
| Storage temperature                | -40 °C ... +80 °C                             | -40 °C ... +80 °C                             | -40 °C ... +80 °C          |
| Mounting / Installation            |   |   |                            |
| Mounting type                      | NS35/15, NS35/7.5 DIN rail                    | NS35/15, NS35/7.5 DIN rail                    | NS35/15, NS35/7.5 DIN rail |

### Technical Drawings – Subject to Alterations



| Accessories   |   |          |           |
|---|---|----------|-----------|
| Figure  | Description   | Art. No. | Weight kg |
| <b>Supply modul</b>   |   |          |           |
|  | Redundant supply of 24 V DC auxiliary power (with fuse) and reading the collective error message for 92xx series ISpac modules which support this function.<br>Connection screw terminal        | 268183 ▲ | 0.135     |
|   | Redundant supply of 24 V DC auxiliary power (with fuse) and reading the collective error message for 92xx series ISpac modules which support this function.<br>Connection spring clamp terminal | 268184   | 0.135     |
| <b>pac-Bus</b>  |   |          |           |
|  | Wiring for power supply and common error messaging  | 262928 ▲ | 0.006     |

**Dimensional Drawings (All Dimensions in mm [inches]) – Subject to Alterations**



ISpac Series 9260, 9265, 9270, 9275, 9276, 9282 with screw terminal