

- For connecting 8 fieldbus devices in Zone 1
- Operation on a high-power trunk
- Reduced start-up current thanks to power management and short-circuit limiting with disconnection

A5

MY R. STAHL 9411G



Series 9411/11 Ex e field device couplers for Zone 1 are used for interference-free connection of up to 8 Foundation Fieldbus H1 or PROFIBUS PA field devices to the high-power trunk. The spurs with the e type of protection can be used for fieldbus devices in Zone 1 (d, q, m) and are protected by a short-circuit limiting function.

The integrated power management minimises start-up and short-circuit currents. Available with screw or spring clamp terminals.

	IECEX / ATEX					
Zone	0	1	2	20	21	22
Ex interface			•			•
Installation in			•			•

	NEC® 500 CE Code Appendix J					
	Class I		Class II		Class III	
Division	1	2	1	2	1	2
Ex interface		•		•		•
Installation in		•		•		•

	CE Code Section 18					
	NEC® 505			NEC® 506		
Zone	Class I			20	21	22
Ex interface			•			•
Installation in			•			•

Selection Table					
Product Description	ISbus fieldbus technology Field device coupler, 8 spurs For Zone 1 Ex e				
Spurs connections	Product Type	Spurs connection type	Art. No.	Weight	
8	9411/11-210-40	Screw terminals	161855	940 g	
Field enclosure made of polyester or stainless steel: Customer-specific solutions on request					

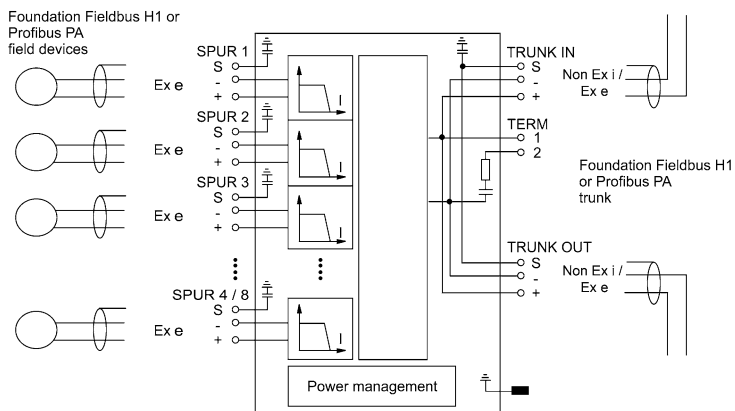
Technical Data	
Explosion Protection	
IECEX gas explosion protection	Ex mb e IIC T4 Gb
ATEX gas explosion protection	Ⓔ II 2 G Ex mb e IIC T4 Gb
Certificates	ATEX (BVS), Brazil (ULB), Canada (FM), IECEx (BVS), International (FF), USA (FM)
Auxiliary Power	
Max. power dissipation	1.1 W
Notes	Auxiliary power not required; the field device coupler is supplied from the trunk
Input	
Voltage range	9 – 32 V
Output	
Max. continuous output current DC	41 mA
Ambient Conditions	
Ambient temperature	-40°C ... +75°C

Technical Data

Mechanical Data

Field enclosure Without, DIN rail mounting

Technical Drawings – Subject to Alterations



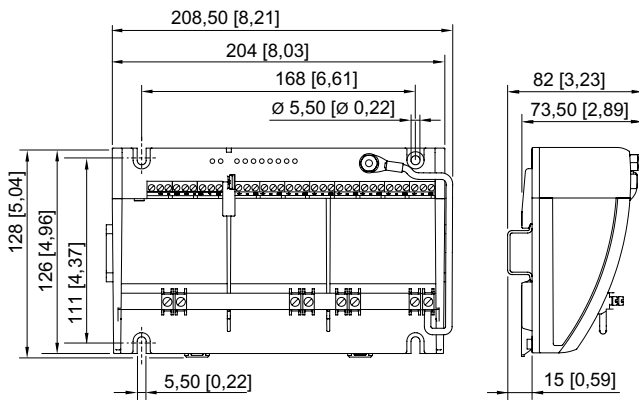
Connection diagram 9411/11

Accessories

Figure	Description	Art. No.	Weight
Earthing rail set for 8 spurs			
	9411 earthing rail with spring clamp clips	202775	200 g
End-of-line resistor			
	"Ex m" fieldbus terminator	168062	80 g
	"Ex i" fieldbus terminator	168063	80 g
Fieldbus power supply			
	Fieldbus power supply and diagnostics	200586	135 g
	Fieldbus supply, diagnostics and adjustable warning level	200588	135 g
Fieldbus wizard engineering tool			
	Engineering tool for project engineering for Foundation Fieldbus or PROFIBUS PA fieldbus segments Download from r-stahl.com	-	-

Dimensional Drawings (All Dimensions in mm [inches]) – Subject to Alterations

A5



Field device coupler, 8 spurs, without enclosure

You can find dimensional drawings online at r-stahl.com