

- For redundant FO network structures (PROFIBUS DP, Modbus RTU) in hazardous areas of Zone 2
- "Ex op is" interface makes for easy installation and maintenance
- With diagnostics function for early error detection and signalling
- Compatible with Series 9186 devices

MY R. STAHL 9186B



The Series 9186 fibre optic fieldbus isolating repeater transmits PROFIBUS DP and Modbus RTU signals over distances of up to 2 km as part of redundant fibre optic network structures. Standard plug connectors can be connected to the "Ex op is" inherently safe optical interfaces. The diagnostic functions detect critical signal conditions early and report them to the control room.

	IEEx / ATEX					
Zone	0	1	2	20	21	22
Ex interface			•			•
Installation in			•			

	CE Code Section 18					
	NEC [®] 505			NEC [®] 506		
	Class I					
Zone	0	1	2	20	21	22
Ex interface			•			
Installation in			•			

Selection Table				
Installation	Zone 2 and safe areas			
Network structure	Product Type	Art. No.	Weight	
Line Ring Point-to-point	9186/15-12-11	160624	244 g	
Point-to-point End of line	9186/25-12-11	160625	244 g	

Technical Data	
Explosion Protection	
IEEx gas explosion protection	Ex nA nC [op is T6 Ga] IIC T4 Gc
IEEx dust explosion protection	[Ex op is Da] IIIC
ATEX gas explosion protection	Ⓔ II 3 (1) G Ex nA nC [op is T6 Ga] IIC T4 Gc
ATEX dust explosion protection	Ⓔ II (1) D [Ex op is Da] IIIC
Certificates	ATEX (BVS), Brazil (ULB), Canada (UL), IEEx (BVS), USA (UL)
Ship approval	CCS, EU RO MR (DNV)
Electrical Data	
Electrical interface data rate	9.6 kbps – 1.5 Mbps
Protocols	HART over RS485 Modbus RTU PROFIBUS DP ServiceBus R.STAHL (IS1+)
Electric interface version	RS 485
Electric interface connection	Sub-D socket X1, 9-pole
Protocols optical interface	Protocol-transparent with RS-485 interface

Technical Data

Electrical Data

Optical interface connection ST®, BFOC/2.5 socket

FO wavelength 850 nm

Optical interface transmission distance ≤ 2000 m


Error control

Auxiliary power failure: Fault message contact open
 Receiving level good: LED green and yellow "FO Signal", fault message contact closed
 Receiving level reduced (-1.5 dBm): LED yellow "FO Signal", fault message contact open
 Fibre breakage or receiving level too low (-3 dBm): LED red "FO ERR", fault message contact open

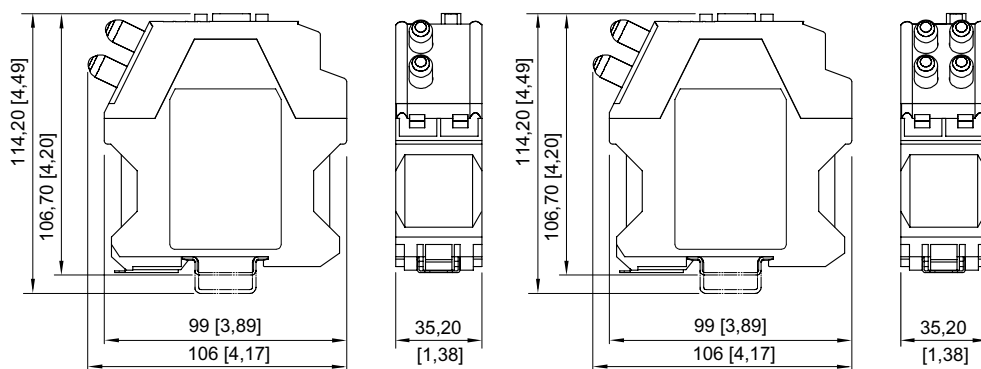
Auxiliary Power

Auxiliary power 24 V DC

Accessories

Figure	Description	Art. No.	Weight
	9-pin for connecting fieldbus or ServiceBus to CPU & power module Type 9440/15, 9185 fieldbusisolatingrepeater and 9786/15-12 media converter. The end-of-line resistor is installed and switchable. For non-intrinsically safe RS-485. Ambient temperature: -40 °C to +75 °C	105715	60 g

Dimensional Drawings (All Dimensions in mm [inches]) – Subject to Alterations



Type 9186/25

Type 9186/15