



- Beneficial LED technology: Extremely long service life, high luminance, low heat build-up
- For installation in enclosure wall, enclosure cover, panels or control cabinets
- Versions with spring clamp terminal with connection chamber or versions with prefabricated connection cable and connection chamber are available

E4

## MY R. STAHL 8013B



R. STAHL Series 8013 LED indicator lamps show command statuses via a light signal, the colour of which can be determined using the colour filter included in the delivery: Red, yellow, green, blue or white. The long-lasting LED ensures high luminance and low heat build-up. Versions with spring clamp terminal and versions with prefabricated connection cable and connection chamber are available.

	IECEX / ATEX					
Zone	0	1	2	20	21	22
Installation in		•	•		•	•

Selection Table							
Product variant		Ex d e					
Connection	Conductor length	Conductor length, inches	Connection cross-section	Connection cross-section AWG	Product Type	Art. No.	Weight
Plug-in connection, connection cable	3 m	118.11 in	0,75 mm <sup>2</sup>	–	8013/313-al-3	269755	625 g
	6 m	236.22 in	0,75 mm <sup>2</sup>	–	8013/313-al-6	269752	625 g
	15 m	590.55 in	0,75 mm <sup>2</sup>	–	8013/313-al-15	269754	625 g
Spring terminal connection	–	–	0.75 ... 1.5 mm <sup>2</sup>	18 AWG ... 12 AWG	8013/311-al	269658	130 g
		–	0.5 ... 2.5 mm <sup>2</sup>	18 AWG ... 12 AWG	8013/312-al	269660	140 g
Product variant		Ex i					
Connection	Conductor length	Conductor length, inches	Connection cross-section	Connection cross-section AWG	Product Type	Art. No.	Weight
Plug-in connection, connection cable	6 m	236.22 in	0,75 mm <sup>2</sup>	–	8013/323-al-6	269753	625 g
Spring terminal connection	–	–	0.75 ... 1.5 mm <sup>2</sup>	18 AWG ... 12 AWG	8013/321-al	269659	100 g
		–	0.5 ... 2.5 mm <sup>2</sup>	18 AWG ... 12 AWG	8013/322-al	269751	110 g

The red, yellow, green, blue and white lenses are included in the packaging.

Technical Data		
Variant	Ex i With connection chamber	Ex i Without connection chamber
Explosion Protection		
IECEX gas explosion protection	Ex db mb ia IIC T6 Gb	Ex db mb ia IIC Gb
IECEX dust explosion protection	Ex tb IIIC T80 °C Db	
ATEX gas explosion protection	⊕ II 2 G Ex db mb ia IIC T6 Gb	⊕ II 2 G Ex db mb ia IIC Gb





Technical Data		
Variant	Ex i With connection chamber	Ex i Without connection chamber
<b>Explosion Protection</b>		
ATEX dust explosion protection	⊕ II 2 D Ex tb IIIC T80 °C Db	
Declaration of Conformity	ATEX (EUK), China (CCC)	ATEX (EUK), China (CCC)
Certificates	ATEX (PTB), China (CQST), IECEx (PTB)	ATEX (PTB), China (CQST), IECEx (PTB)
Notes	Product label may vary. Series devices are labelled with ATEX and IECEx.	
<b>Safety Data</b>		
Max. capacitance C <sub>i</sub>	Negligible	Negligible
Max. inductance L <sub>i</sub>	Negligible	Negligible
Max. voltage U <sub>i</sub>	28 V	28 V
Max. current I <sub>i</sub>	150 mA	150 mA
Max. power P <sub>i</sub>	1 W	1 W
<b>Electrical Data</b>		
Rated operational voltage AC	10.8 – 28 V	10.8 – 28 V
Rated operational voltage DC	10.8 ... 28 V	10.8 ... 28 V
AC UL rated operational voltage	28 V	28 V
Rated operational current	12 mA	12 mA
Frequency	0 to 60 Hz	0 to 60 Hz
UL rated operational current	0.15 A	0.15 A
Rated operational power	0.6 W	0.6 W
Electrical service life	10 <sup>5</sup> lighting hours	10 <sup>5</sup> lighting hours
<b>Ambient Conditions</b>		
Ambient temperature	-30 °C ... +60 °C	-30 °C ... +60 °C
Ambient temperature	-22 °F ... +140 °F	-22 °F ... +140 °F
<b>Lighting Data</b>		
Lamp	White LED	White LED
Luminous colour	Blue Green Red White Yellow	Blue Green Red White Yellow
<b>Mechanical Data</b>		
Degree of protection (IP) (IEC 60529)	Reverse side IP65, front side IP66	Reverse side IP20, front side IP66
Silicone-free	Yes	Yes
<b>Mounting / Installation</b>		
Tightening torque	1.2 Nm	1.2 Nm
Tightening torque lbf in	10.62 lbf in	10.62 lbf in
<b>Components</b>		
Entry 1	1 x 8161/8-M16-0902	
Entry 1 type	Polyamide cable gland, blue	
Entry 1	M16 x 1.5	
Entry 1 terminal area	2 – 9 mm	
Entry 1 clamping range, inch	0.08 – 0.35 in	

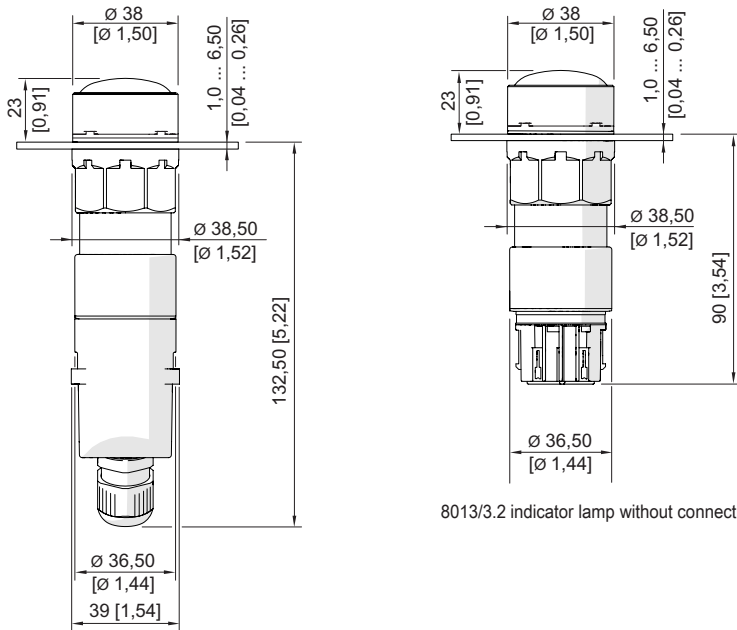
# LED indicator lamp for panel mounting

Series 8013 for ATEX/IECEX applications

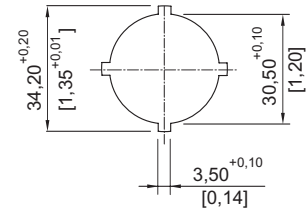


E4

Spare Parts			
Figure	Description	Art. No.	Weight
<b>Lens</b>			
	red	155842	3 g
	yellow	155834	3 g
	green	155852	3 g
	blue	155860	3 g
	white	155824	3 g
<b>Closing part</b>			
	8602C3-733-B for closing unused holes in cover, dia. 30.5 mm, NBR	244306	25 g
	8602C3-733-S for closing unused holes in cover, dia. 30.5 mm, silicone	244307	25 g
<b>Insert discs for label holder</b>			
	One-line Plain Material: PVC Colour: White Self-adhesive	238271	10 g
	Two-line Plain Material: PVC Colour: White Self-adhesive	238272	10 g
	Three-line Plain Material: PVC Colour: White Self-adhesive	238273	10 g
<b>Label holder</b>			
	Label holder, size 1, without insert disc Labelling: 1-line can be installed in dia. 30.5 mm drilled holes for actuators	155632	1 g
	Label holder, size 2, without insert disc Labelling: 1- or 2-line can be installed in dia. 30.5 mm drilled holes for actuators	155687	2 g
	Label holder, size 3, without insert disc Labelling: 1-, 2- or 3-line can be installed in dia. 30.5 mm drilled holes for actuators	155844	2 g

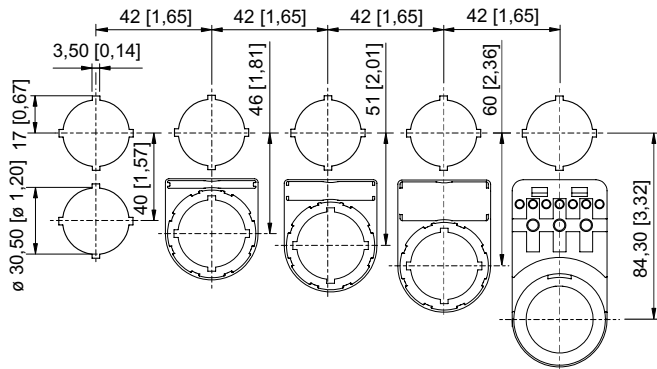


8013/3.2 indicator lamp without connection chamber



Punch pattern

8013/3.1, 8013/3.3 indicator lamp with connection chamber



Cut-out with/without additional designation plate