



- Cost savings thanks to low weight and small installation area
- Easily adapted should there be any changes to an order
- More installation space thanks to a big installation volume
- More compact and more flexible machine and system design
- More control functions available
- Shorter planning and project turnaround times
- Low operating and maintenance costs
- Higher system availability and increased productivity

## MY R. STAHL 8280A



The new EXpressure technology safely dissipates explosion pressure in cabinets, control stations and other enclosures via flow channels. As a result, the lightweight and compact EXpressure enclosure, manufactured in accordance with industrial cabinet dimensions with a control panel made from industrial components, can be positioned as close as possible to the process for Zones 1 and 2.

	IECEX / ATEX					
Zone	0	1	2	20	21	22
Installation in		•	•			

Selection Table						
Material	Stainless steel					
Cover mounting	Screws					
Inner dimensions (WxHxD)	Hinge	volume	Product Type	Art. No.	Weight	
300 x 400 x 200 mm	without	24 dm <sup>3</sup>	8280/-20-2.11-1	264241	37 kg	
400 x 600 x 300 mm	with	72 dm <sup>3</sup>	8280/-31-2.11-1	263860	79 kg	
600 x 800 x 400 mm	with	192 dm <sup>3</sup>	8280/-41-2.11-1	263859	153 kg	
1000 x 1400 x 700 mm	with	980 dm <sup>3</sup>	8280/-62-2.11-2	264577	551 kg	
1000 x 1400 x 700 mm	with	980 dm <sup>3</sup>	8280/-62-2.21-2	267378	590 kg	

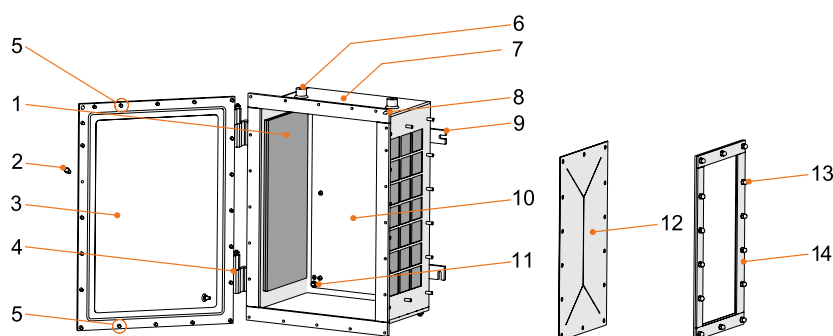
Ex d cabinet with base plate, without built-in components

Technical Data	
Explosion Protection	
IECEX gas explosion protection	8280/0: Ex db sb IIB Gb 8280/5: Ex db eb ia [ja Ga] ib [jb Gb] mb op pr [op is] sb IIB T5...T3 Gb
ATEX gas explosion protection	8280/0: Ⓜ II 2 G Ex db sb IIB Gb 8280/5: Ⓜ II 2 G Ex db eb ia [ja Ga] ib [jb Gb] mb op pr [op is] IIB T5...T3 Gb
Certificates	ATEX (BVS), ATEX (PTB), IECEX (BVS), IECEX (PTB)
Notes	Product label may vary. Series devices are labelled with ATEX and IECEX.
Electrical Data	
Rated operational voltage AC	11 kV
Rated operational current	1250 A (T3)
Ambient Conditions	
Ambient temperature Ta	-40 °C ≤ Ta ≤ +60 °C

**Technical Data**
**Mechanical Data**

Degree of protection (IP)	IP66
Cover seal	Silicone
Connection cross-section max.	300 mm <sup>2</sup>
Protective conductor connection size	M6
Protective conductor connection labelling	Internal/external on enclosure

Wall mounting: only using mounting brackets  
 Stand variant: only for enclosures size 62 (only possible without connection chamber)

**Technical Drawings – Subject to Alterations**


- 1 = grid 2 = cover screw 3 = enclosure cover  
 4 = hinge 5 = mounting point for retaining lugs  
 6 = mounting point for transport lug 7 = enclosure  
 8 = positioning pin 9 = anchoring bracket  
 10 = base plate  
 11 = inner earth connection of base plate  
 12 = rupture disc 13 = cap nut 14 = frame

**Accessories**

Figure	Description	Art. No.	Weight
Retaining/transport lugs (contains two pieces)			
	M10, stainless steel, thread length = 8 mm, for cover SZ 20, 31, 41 Packaging unit: Two pieces	268425	-
	M12, stainless steel, thread length = 20.5 mm, for enclosure SZ 31, 41 Packaging unit: Two pieces	268670	-
	M14, stainless steel, thread length = 10 mm, for cover SZ 62 Packaging unit: Two pieces	268427	480 g
	M20, stainless steel, thread length = 30 mm, for enclosure SZ 62 Packaging unit: Two pieces	268669	1.8 kg

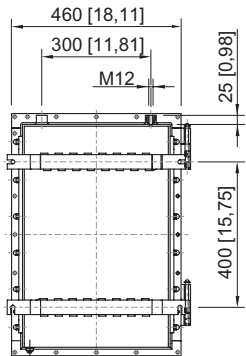
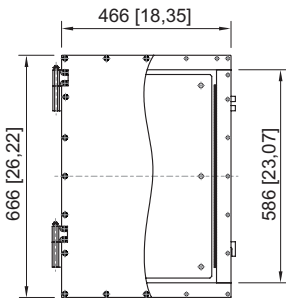
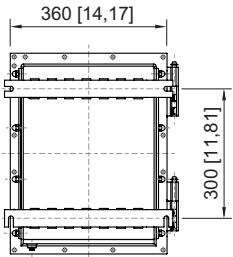
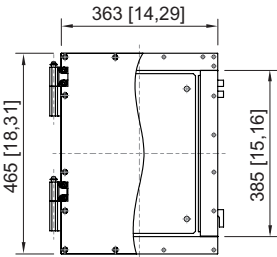
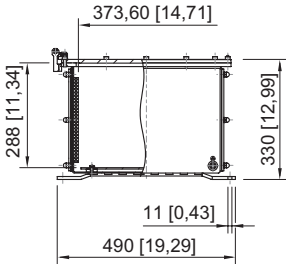
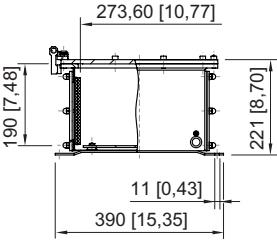
# EXpressure Ex d cabinet/empty enclosure

Series 8280 Flameproof enclosure, made from stainless steel



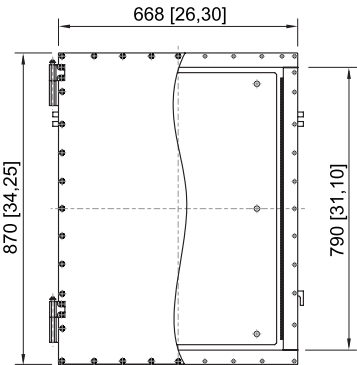
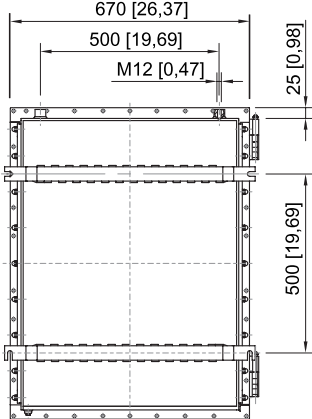
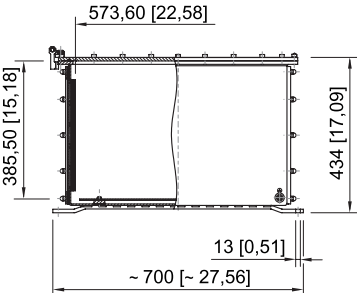
Dimensional Drawings (All Dimensions in mm [inches]) – Subject to Alterations

E3



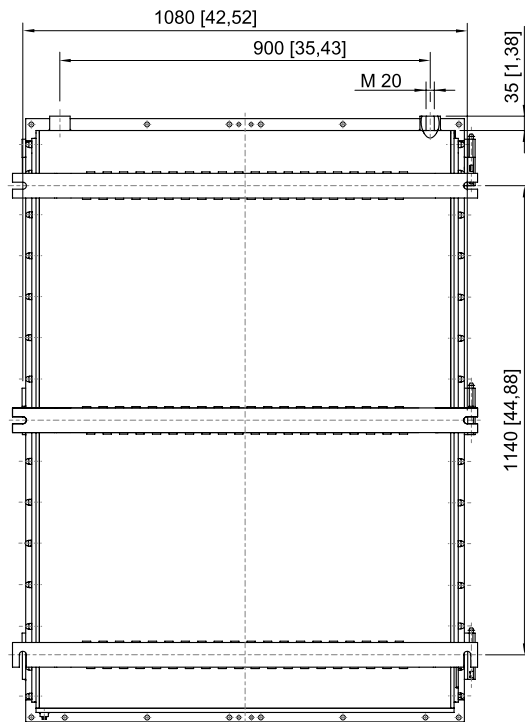
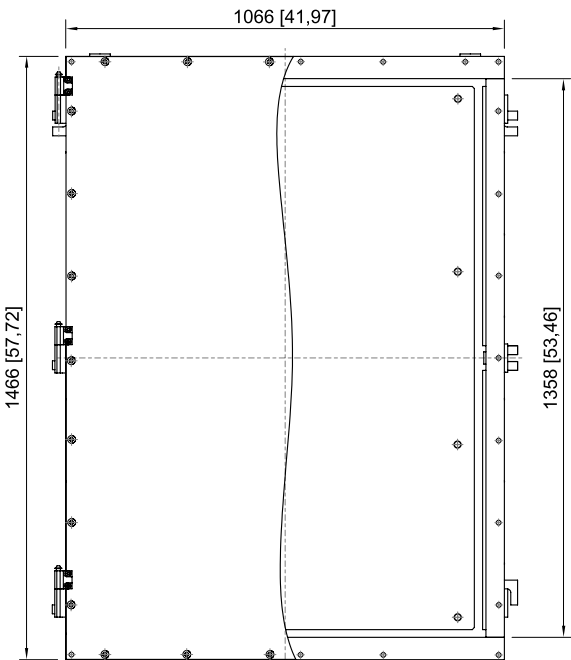
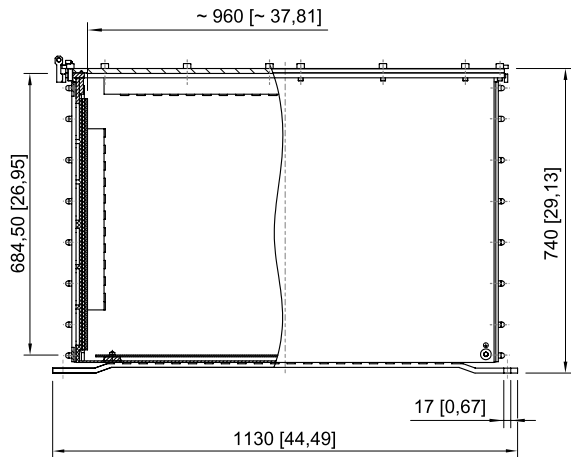
Enclosure size 20

Enclosure size 31



Enclosure size 41

E3



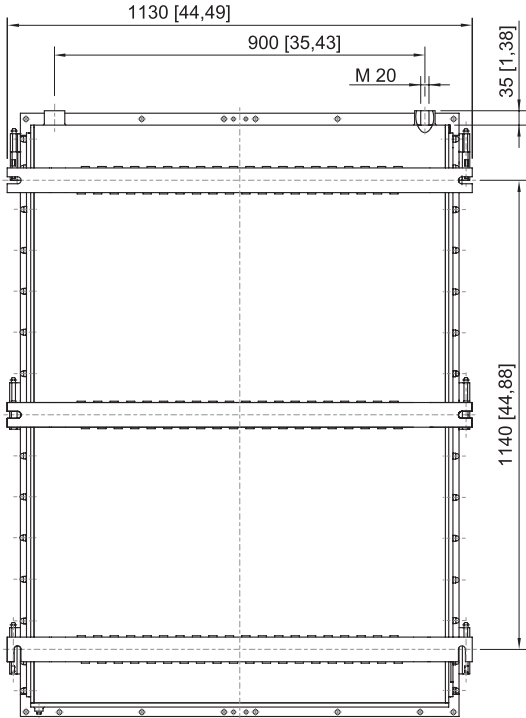
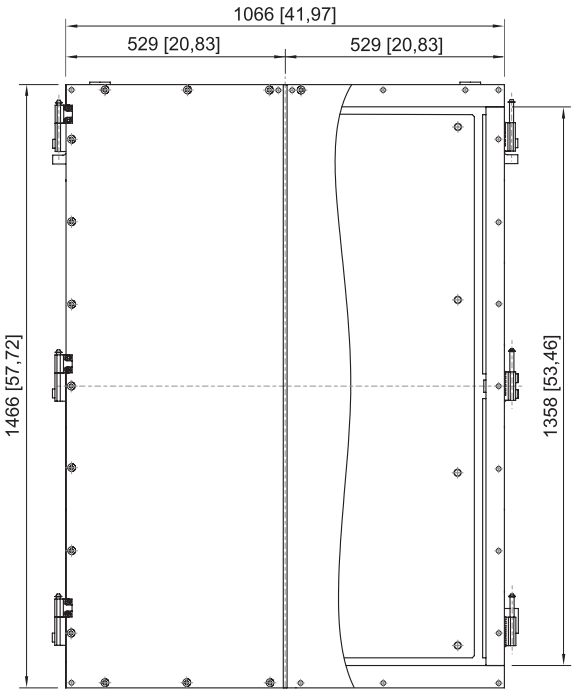
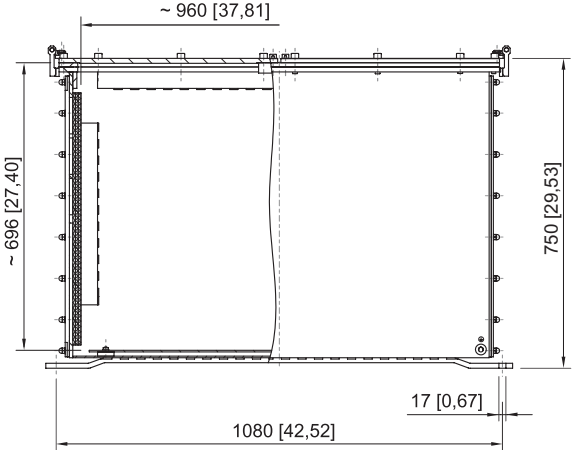
Enclosure size 62  
 with one cover

# EXpressure Ex d cabinet/empty enclosure

Series 8280 Flameproof enclosure, made from stainless steel

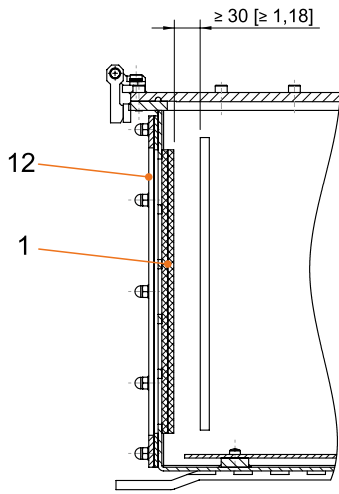


E3



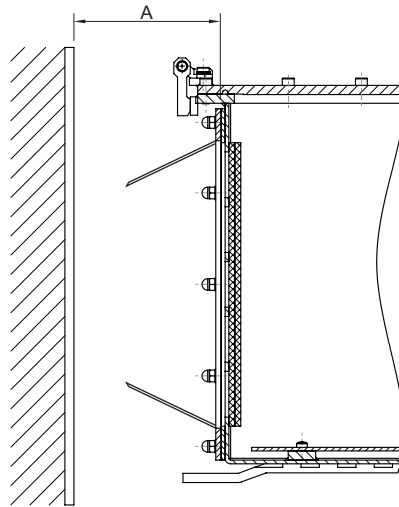
Enclosure size 62  
with two covers

E3



Mounting distance (inner) to the grid

1 = grid  
12 = rupture disc



D = mounting distance (outer) to other fixed objects

Enclosure size 20:	D = 134 mm [5.28]
Enclosure size 31:	D = 100 mm [3.94]
Enclosure size 41:	D = 162 mm [6.38]
Enclosure size 62:	D = 300 mm [11.81]