





- Mounting flush with the wall with a hygienic design
- Stainless steel enclosure in AISI 316L with a covered sealing system
- A locked switch prevents the connector from being inadvertently pulled out under load
- Versions with single or dual sockets
- Current levels of 16 A and/or 32 A

E3

MY R. STAHL 8150E

The wall-mounted socket distributors for clean rooms from series 8150/5-V88 have been developed for all applications in which particle contamination can affect the quality, purity or service life of a product. For example, in the pharmaceutical industry an excessive particle content restricts the purity of medication, while in the semiconductor industry particles can shorten the service life of components such as chips, LEDs or touch-screens. Other fields include the optical industry (production of lenses and microscopes), the food industry, and the life science and laboratory sectors. With their clear structure and hygienic design, the socket distributors can be installed flush with the wall in the aforementioned areas according to the necessary classification.

Zone	IECEx / ATEX					
	0	1	2	20	21	22
Installation in		•	•		•	•

Selection Table											
Socket 1 type		8570/18									
Number of sockets 1		1									
Rated operating current socket 1		16 A									
Figure	Number of poles on socket 1	Rated operating voltage socket 1	Socket 1 frequency	Socket 1 coding	Number of poles on socket 2	Rated operating voltage socket 2	Socket 2 frequency	Socket 2 coding	Product Type	Art. No.	Weight
	5	200/346 to 240/415 V AC	50/60 Hz	6	-	-	-	-	8150/5-V88-37122-3506	256761	7.8 kg
Socket 1 type		8570/18									
Number of sockets 1		2									
Rated operating current socket 1		16 A									
Figure	Number of poles on socket 1	Rated operating voltage socket 1	Socket 1 frequency	Socket 1 coding	Number of poles on socket 2	Rated operating voltage socket 2	Socket 2 frequency	Socket 2 coding	Product Type	Art. No.	Weight
	5	200/346 ... 240/415 V	50/60 Hz	6	-	-	-	-	8150/5-V88-38125-3506-3506	256716	12.2 kg




Selection Table

Socket 1 type		8571/18									
Number of sockets 1		1									
Rated operating current socket 1		32 A									
Socket 2 type		8570/18									
Number of sockets 2		1									
Rated operational current socket 2		16 A									
Figure	Number of poles on socket 1	Rated operating voltage socket 1	Socket 1 frequency	Socket 1 coding	Number of poles on socket 2	Rated operating voltage socket 2	Socket 2 frequency	Socket 2 coding	Product Type	Art. No.	Weight
	5	200/346 ... 240/415 V	50/60 Hz	6	3	200 to 250 V AC	50/60 Hz	6	8150/5-V88-38127-4506-3306	256733	12.2 kg
Socket 1 type		8571/18									
Number of sockets 1		1									
Rated operating current socket 1		32 A									
Figure	Number of poles on socket 1	Rated operating voltage socket 1	Socket 1 frequency	Socket 1 coding	Number of poles on socket 2	Rated operating voltage socket 2	Socket 2 frequency	Socket 2 coding	Product Type	Art. No.	Weight
	5	200/346 ... 240/415 V	50/60 Hz	6	-	-	-	-	8150/5-V88-37123-4506	256771	7.8 kg
Socket 1 type		8572/15									
Number of sockets 1		2									
Rated operating current socket 1		16 A									
Socket 2 type		8571/18									
Number of sockets 2		1									
Rated operational current socket 2		32 A									
Figure	Number of poles on socket 1	Rated operating voltage socket 1	Socket 1 frequency	Socket 1 coding	Number of poles on socket 2	Rated operating voltage socket 2	Socket 2 frequency	Socket 2 coding	Product Type	Art. No.	Weight
	3	200 ... 250 V	50/60 Hz	6	5	200/346 to 240/415 V AC	50/60 Hz	6	8150/5-V88-38127-2306-4506-2306	259648	12 kg
Socket 1 type		8572/15									
Number of sockets 1		2									
Rated operating current socket 1		16 A									
Figure	Number of poles on socket 1	Rated operating voltage socket 1	Socket 1 frequency	Socket 1 coding	Number of poles on socket 2	Rated operating voltage socket 2	Socket 2 frequency	Socket 2 coding	Product Type	Art. No.	Weight
	3	200 ... 250 V	50/60 Hz	6	-	-	-	-	8150/5-V88-37122-2306-2306	256781	7 kg
Socket 1 type		8572/15									
Number of sockets 1		4									
Rated operating current socket 1		16 A									
Figure	Number of poles on socket 1	Rated operating voltage socket 1	Socket 1 frequency	Socket 1 coding	Number of poles on socket 2	Rated operating voltage socket 2	Socket 2 frequency	Socket 2 coding	Product Type	Art. No.	Weight
	3	200 to 250 V AC	50/60 Hz	6	-	-	-	-	8150/5-V88-38125-2306-2306-2306-2306	256782	10.7 kg

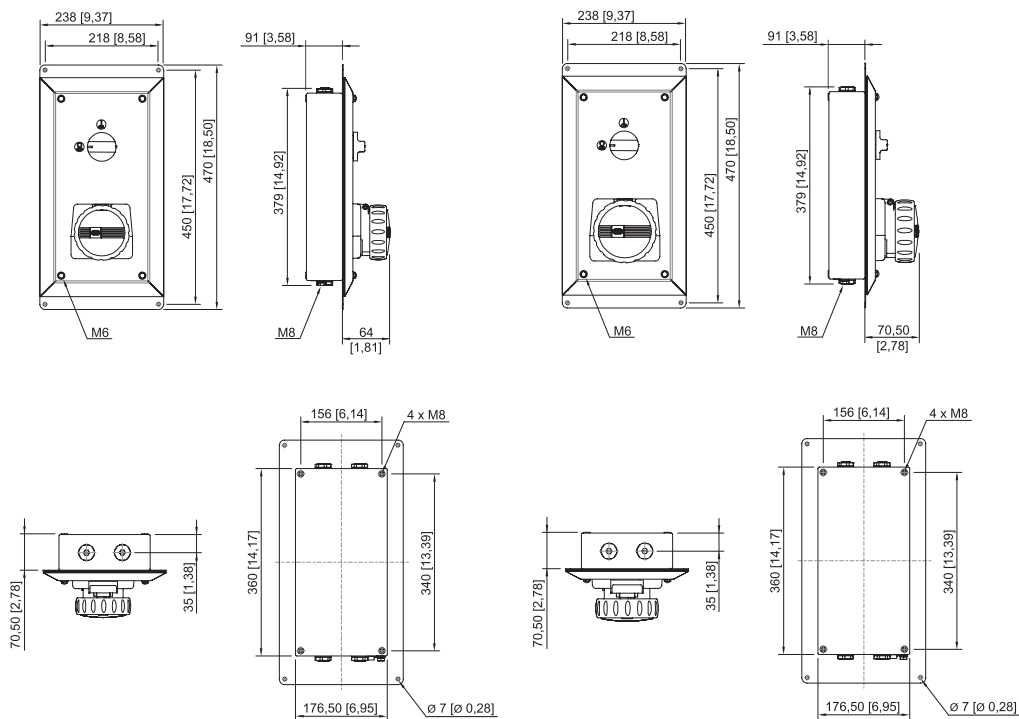
Technical Data			
Variant	8570/18	8571/18	8572/15
Explosion Protection			
Area of application	European Union (ATEX) IECEX	European Union (ATEX) IECEX	European Union (ATEX) IECEX
IECEX gas explosion protection	Ex db eb IIC T6 Gb	Ex db eb IIC T4 Gb	Ex db eb IIC T6 Gb
IECEX dust explosion protection	Ex tb IIIC T80 °C Db	Ex tb IIIC T130 °C Db	Ex tb IIIC T80 °C Db
ATEX gas explosion protection	Ⓔ II 2 G Ex db eb IIC T6 Gb	Ⓔ II 2 G Ex db eb IIC T4 Gb	Ⓔ II 2 G Ex db eb IIC T6 Gb
ATEX dust explosion protection	Ⓔ II 2 D Ex tb IIIC T80 °C Db	Ⓔ II 2 D Ex tb IIIC T130 °C Db	Ⓔ II 2 D Ex tb IIIC T80 °C Db
Certificates	ATEX (PTB), IECEX (PTB), India (PESO)	ATEX (PTB), IECEX (PTB), India (PESO)	ATEX (PTB), IECEX (PTB), India (PESO)
Electrical Data			
Looping through possible	Yes	Yes	Yes
Ambient Conditions			
Ambient temperature	-50 °C ... +40 °C	-50 °C ... +40 °C	-50 °C ... +40 °C
Mechanical Data			
Degree of protection (IP) (IEC 60529)	IP66	IP66	IP66
IP degree of protection (IEC 60079)	IP64	IP64	IP64
Enclosure material	Stainless steel 1.4404, (AISI 316L), brush finished	Stainless steel 1.4404, (AISI 316L), brush finished	Stainless steel 1.4404, (AISI 316L), brush finished
Components			
Socket 1 connection cross-section	4 mm ² 6 mm ²	6 mm ² 10 mm ²	4 mm ²

Accessories			
Figure	Description	Art. No.	Weight
Dust cover for sockets, compact, series 8572/13			
	Retrofittable dust protection for 3-pole sockets	257438	10 g
Dust cover for sockets, series 8570			
	Retrofittable dust protection for 3-pole sockets	253118	6 g
	Retrofittable dust protection for 5-pole sockets	255004	8 g
Dust cover for sockets, series 8571			
	Retrofittable dust protection for 5-pole sockets	253117	9 g

Accessories

Figure	Description	Art. No.	Weight
Plug			
	8571/12-506-S-XX-X-XX-XXX 5-pole plug, 200/346 to 240/415 V AC, 50/60 Hz, 32 A	275682	600 g
	8570/12-506-S-XX-X-XX-XXX 5-pole plug, 200/346 to 240/415 V AC, 50 / 60 Hz, 16 A	272881	444 g
	8570/12-306-S-XX-X-XX-XXX 3-pole plug, 200 to 250 V AC, 50 / 60 Hz, 16 A	272898	331 g

Dimensional Drawings (All Dimensions in mm [inches]) – Subject to Alterations

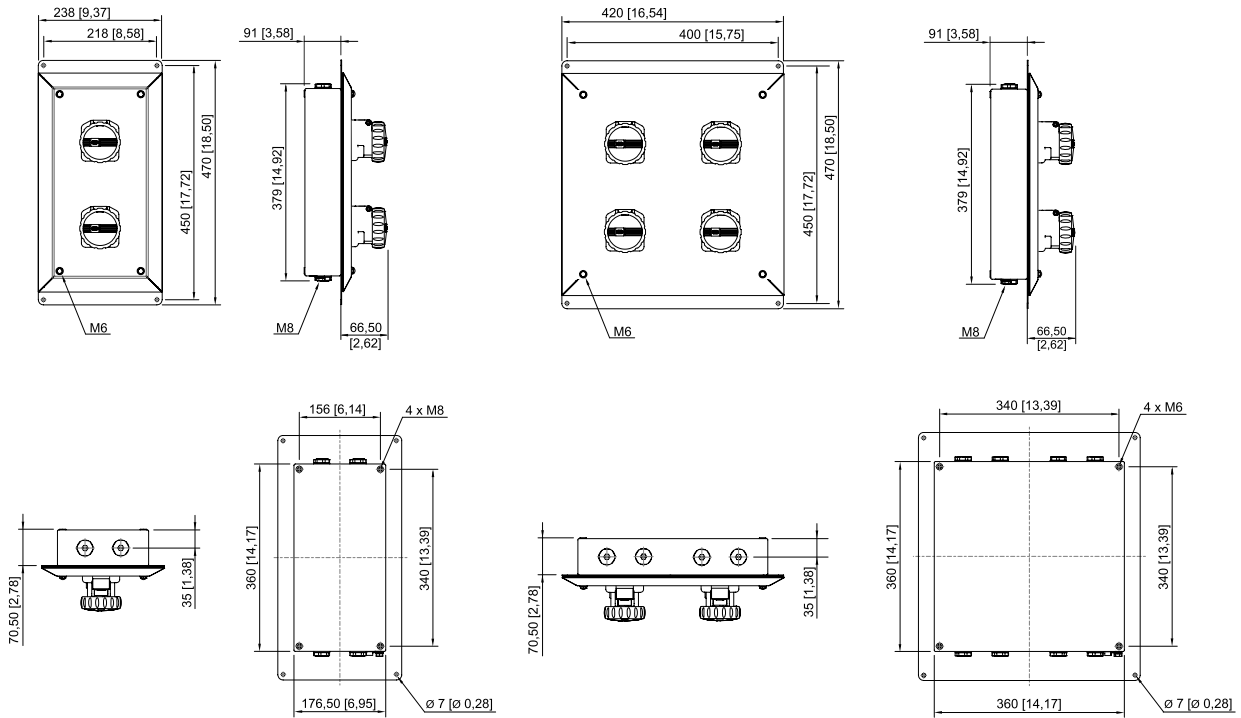


Wall-mounted socket distributors for clean rooms

Series 8150/5-V88

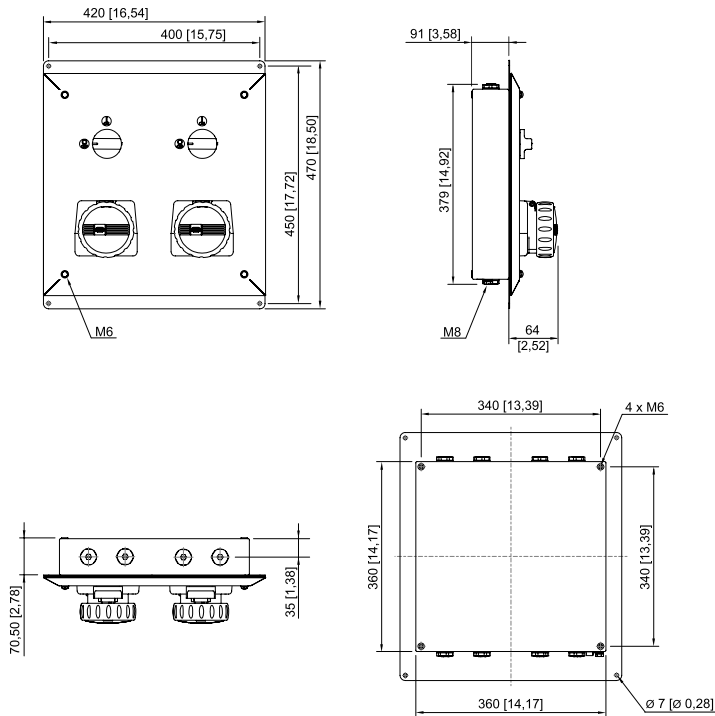


E3



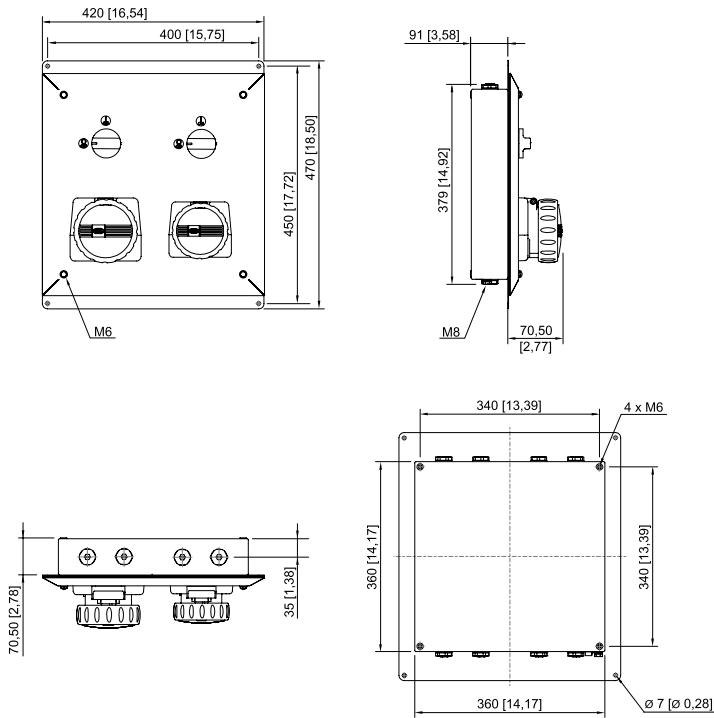
8150/5-V88 with 8572/15, 16 A

8150/5-V88 with 4x 8572/15, 16 A

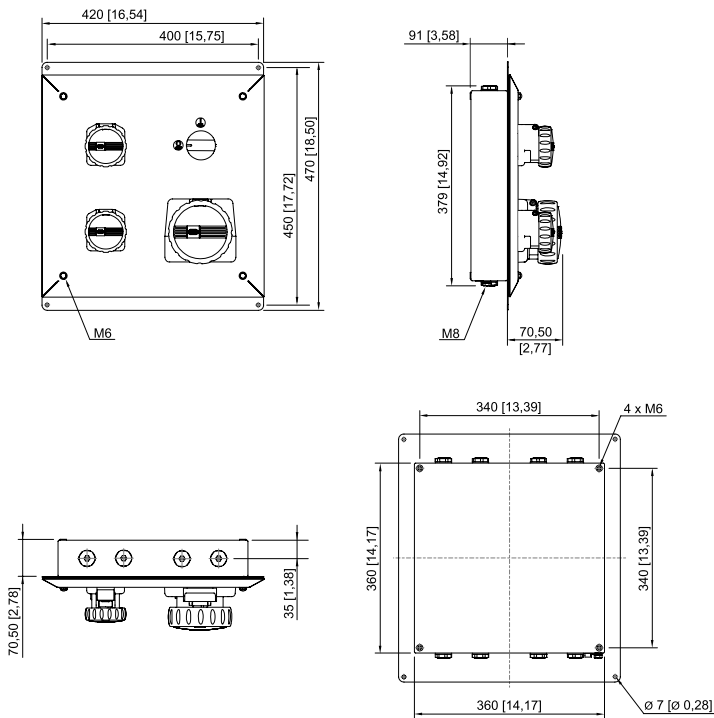


8150/5-V88 with 2x 8570/18, 16 A

E3



8150/5-V88 with 1x 8571/18, 32 A and 1x 8570/18, 16 A



8150/5-V88 with 1x 8571/18, 32 A and 2x 8572/15, 16 A