



- Suitable for wall, ceiling and suspended mounting
- Operating modes: Continuous mode, continuous mode with switchable emergency lighting
- With function and rated operating time test with optional DALI technology
- Large recognition range $d \geq 30$ m
- Emergency exit signs with suspended panel so that they can be read from both sides
- Lightweight, robust and compact design

E2

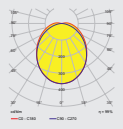
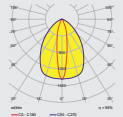
MY R. STAHL 6109A



C-LUX 6109 series compact emergency luminaires can be used for emergency lighting, as well as for indication or escape route luminaires.

	IECEX / ATEX					
Zone	0	1	2	20	21	22
Installation in		•	•		•	•

Selection Table							
Lamp	LED						
Figure	Variant	Colour temperature	Luminous flux	Control interface	Product Type	Art. No.	Weight
	Escape route downstairs Single-sided	-	-	without	6109/111-0101-160-0111-31-1850-D11	287804	4 kg
		-	-	DALI	6109/111-0111-180-0111-31-1850-D11	287820	4 kg
	Escape route to the left/ right Double-sided	-	-	without	6109/111-0101-160-0111-31-1850-A21	287800	4 kg
		-	-	DALI	6109/111-0111-180-0111-31-1850-A21	287817	4 kg
	Escape route to the left Single-sided	-	-	without	6109/111-0101-160-0111-31-1850-B11	287801	4 kg
		-	-	DALI	6109/111-0111-180-0111-31-1850-B11	287818	4 kg
	Escape route to the right Single-sided	-	-	without	6109/111-0101-160-0111-31-1850-A11	287799	4 kg
		-	-	DALI	6109/111-0111-180-0111-31-1850-A11	287816	4 kg
	Escape route up, single- sided	-	-	without	6109/111-0101-160-0111-31-1850-C11	287802	4 kg
		-	-	DALI	6109/111-0111-180-0111-31-1850-C11	287819	4 kg
	With deflection optics 0-60°	5000 K	490 lm	without	6109/111-0101-160-0111-31-A850-001	287814	3.4 kg






Selection Table							
Lamp		LED					
Figure	Variant	Colour temperature	Luminous flux	Control interface	Product Type	Art. No.	Weight
5000 K	DALI	6109/111-0111-180-0111-31-A850-001	287822		3.4 kg		
	With diffuser 2 x 40°	5000 K	600 lm	without	6109/111-0101-160-0111-31-4850-001	287813	3.4 kg
		5000 K	600 lm	DALI	6109/111-0111-180-0111-31-4850-001	287821	3.4 kg
	Without diffuser 15°	5000 K	775 lm	without	6109/111-0101-160-0111-31-0850-001	287798	3.3 kg

Technical Data		
Variant	Control interface: without	Control interface: DALI
Explosion Protection		
IECEx gas explosion protection	Ex db eb ib op is IIC T4 Gb	Ex db eb ib op is IIC T4 Gb
IECEx dust explosion protection	Ex tb op is IIIC T100 °C Db	Ex tb op is IIIC T100 °C Db
ATEX gas explosion protection	Ⓔ II 2 G Ex db eb ib op is IIC T4 Gb	Ⓔ II 2 G Ex db eb ib op is IIC T4 Gb
ATEX dust explosion protection	Ⓔ II 2 D Ex tb op is IIIC T100 °C Db	Ⓔ II 2 D Ex tb op is IIIC T100 °C Db
Certificates	ATEX (IBE), Brazil (ULB), China (NEPSI), IECEx (IBE), Polen (CNBOP)	ATEX (IBE), Brazil (ULB), China (NEPSI), IECEx (IBE), Polen (CNBOP)
Ship approval	DNVGL	DNVGL
Declaration of conformity	ATEX (EUK), Declaration of Conformity (AUS)	ATEX (EUK), Declaration of Conformity (AUS)
Electrical Data		
Battery version	NiCd battery, gas-tight	NiCd battery, gas-tight
Battery capacity	2.2 Ah	2.2 Ah
Frequency range	50 – 60 Hz	50 – 60 Hz
AC operating voltage	100 to 240 V	100 to 240 V
Ambient Conditions		
Ambient temperature	-30°C ... +50°C Note: Through wiring Max. 3x16 A -30°C ... +60°C Note: Through wiring 2 Max. 3x10 A	-30°C ... +50°C Note: Through wiring Max. 3x16 A -30°C ... +60°C Note: Through wiring 2 Max. 3x10 A
Lighting Data		
Operating time	1.5 / 3h emergency lighting operation	1.5 / 3h emergency lighting operation
Emergency light output	25% – 3 h 50% – 1.5 h	25% – 3 h 50% – 1.5 h
Mechanical Data		
Silicone-free content	Without influence on paint wetting	Without influence on paint wetting
IP degree of protection (IEC 60598)	IP66 / IP67	IP66 / IP67
Class	I	I
Enclosure material	Thermoset	Thermoset
Cover material	Polycarbonate	Polycarbonate
Sealing material	Silicone	Silicone
Installed terminal strip	PE + N + L1 + L2 + L3 + L"	PE+N+L1+L2+L3+L"+D1+D2
Max. solid connection terminals	6 mm²	6 mm²
Max. finely stranded connection terminals	4 mm²	4 mm²
Type of connection cable	Finely stranded Solid	Finely stranded Solid
Impact strength (IEC 62262)	IK08	IK08
Enclosure colour	Light grey (RAL 7035)	Light grey (RAL 7035)
Disconnection of the luminaire	No	No

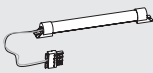


Technical Data		
Variant	Control interface: without	Control interface: DALI
Components		
Threaded plate	Plastic	Plastic
Ballast	6046/311-841-060 NLE standard	6046/311-841-061 NLE DALI
Through wiring	Loop in/loop out	Loop in/loop out
Drilled holes	3 x M25	3 x M25
Cable glands and entries	2 x M25 Ø 7 ... 17 mm	2 x M25 Ø 7 ... 17 mm
Stopping plugs	2 x M25 x 1.5	2 x M25 x 1.5
Stopping plug material	Polyamide, black	Polyamide, black
Accessories	Provided	Provided

Accessories			
Figure	Description	Art. No.	Weight
Fastening set			
	for wall mounting	275408	400 g
	for chain/rope assembly	275407	100 g
Light panel			
	Escape route, down	274776	625 g
	Escape route, up	274758	625 g
	Escape route, down double-sided	274780	625 g
	Escape route, up double-sided	274772	625 g
	Escape route, left	274757	625 g
	Escape route, right	274775	625 g
	Escape route left/right double-sided	274773	625 g
	Escape route stairs, down left	274777	625 g
	Escape route stairs, down right	274778	625 g

Accessories

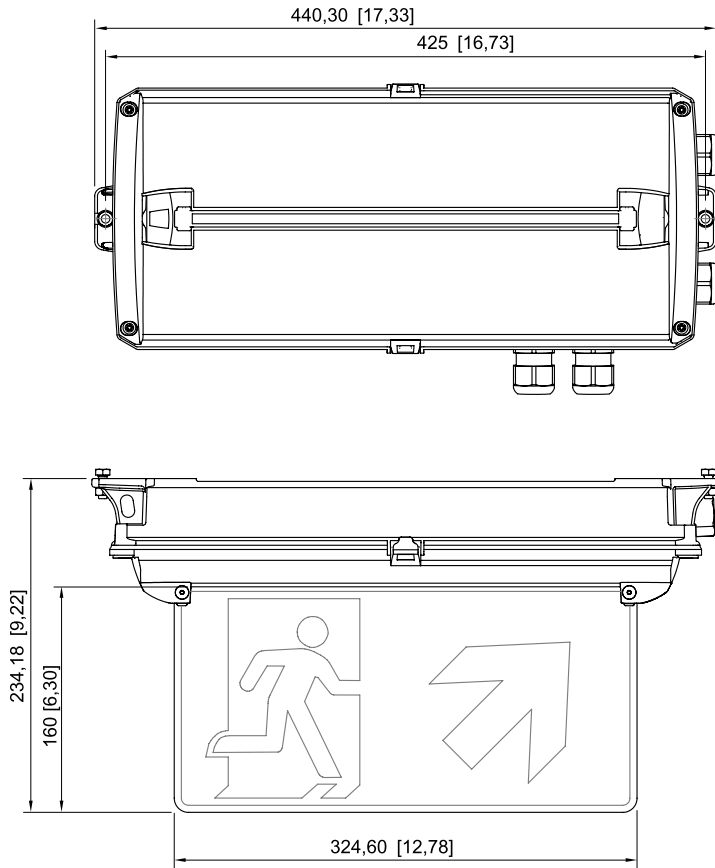
Figure	Description	Art. No.	Weight
Light panel			
	Escape route stairs, down double-sided	274779	625 g
	Escape route stairs, up left	274759	625 g
	Escape route stairs, up right	274760	625 g
	Escape route stairs, up double-sided	274771	625 g
	EXIT	275514	625 g

Spare Parts

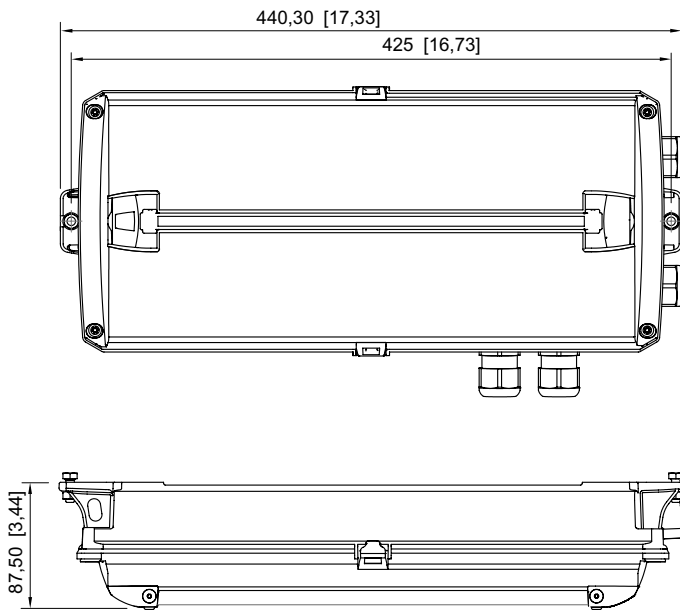
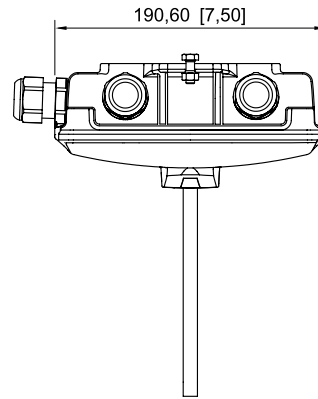
Figure	Description	Art. No.	Weight
Battery set			
	NiCd battery, gas-tight; 2.2 Ah / 6 V	273190	405 g
Optic			
	Diffuser	274756	25 g
	Deflection optics	274781	270 g

Dimensional Drawings (All Dimensions in mm [inches]) – Subject to Alterations

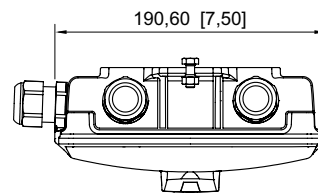
E2



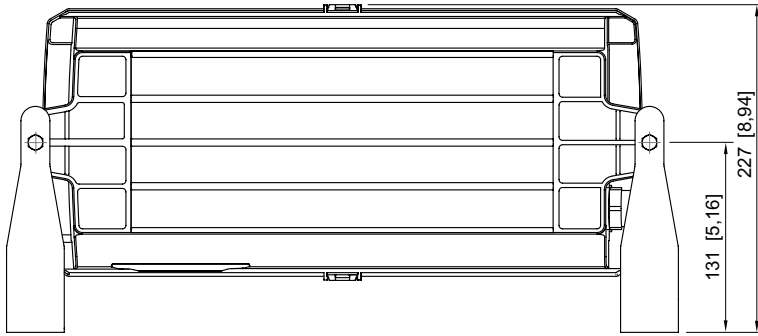
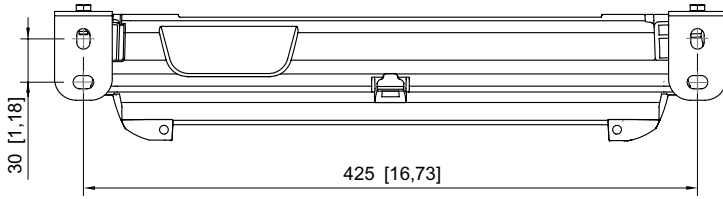
with escape sign



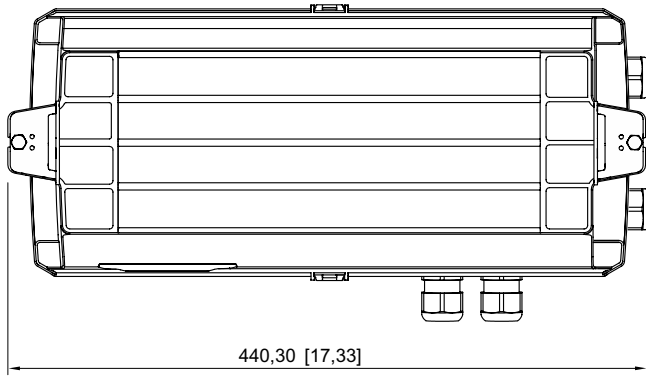
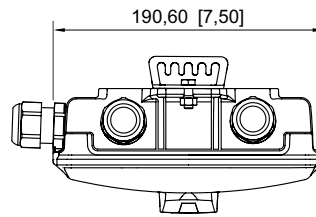
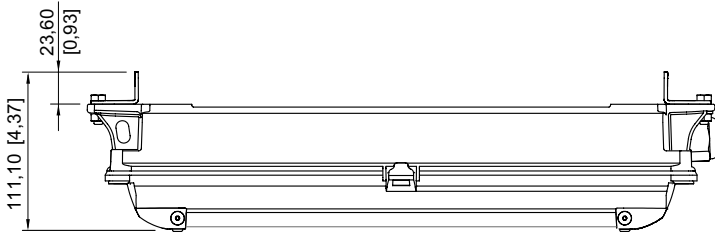
without escape sign



E2



with mounting brackets



for rope/chain mounting