

- Compact one- two-channel Ex i output isolating repeater
- Slim design saves space – just 12.5 mm wide
- For use up to SIL 2 (IEC/EN 61508)

A3

MY R. STAHL 9265A



The Series 9265 Ex i isolating repeaters are used for the intrinsically safe operation of control valves, I/P converters and indicators. They transmit superimposed HART communication signals in both directions. The input, output and auxiliary power are galvanically separated from one another. The two channels in the two-channel variants are galvanically separated from one another.

	IECEx / ATEX					
Zone	0	1	2	20	21	22
Ex interface	•	•	•	•	•	•
Installation in			•			

	NEC® 500 CE Code Appendix J					
	Class I		Class II		Class III	
Division	1	2	1	2	1	2
Ex interface	•	•	•	•	•	•
Installation in		•				

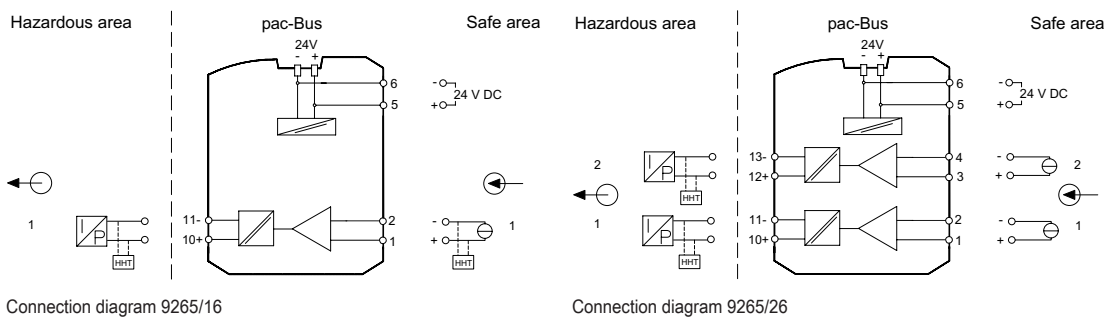
	CE Code Section 18					
	NEC® 505			NEC® 506		
Zone	Class I			20	21	22
Ex interface	0	1	2			
Ex interface	•	•	•			
Installation in			•			

Selection Table							
Product variant	Isolating repeater						
Number of channels	Input signal	Output signal	LFD relay	Connection type	Product Type	Art. No.	Weight
1	0/4 to 20 mA with HART	0/4 to 20 mA with HART	No	Screw terminal	9265/16-11-10s	261403	185 g
		0/4 to 20 mA with HART	No	Spring clamp terminal	9265/16-11-10k	261405	185 g
2	0/4 to 20 mA with HART	0/4 to 20 mA with HART	No	Screw terminal	9265/26-11-10s	261404	195 g
		0/4 to 20 mA with HART	No	Spring clamp terminal	9265/26-11-10k	261406	195 g

Technical Data		
Variant	9265/16-11-10.	9265/26-11-10.
Explosion Protection		
IECEx gas explosion protection	Ex ec [ja Ga] IIC T4 Gc	Ex ec [ja Ga] IIC T4 Gc
IECEx dust explosion protection	[Ex ia Da] IIIC	[Ex ia Da] IIIC
IECEx firedamp protection	[Ex ia Ma] I	[Ex ia Ma] I
ATEX gas explosion protection	Ⓜ II 3 (1) G Ex ec [ja Ga] IIC T4 Gc	Ⓜ II 3 (1) G Ex ec [ja Ga] IIC T4 Gc
ATEX dust explosion protection	Ⓜ II (1) D [Ex ia Da] IIIC	Ⓜ II (1) D [Ex ia Da] IIIC
ATEX firedamp protection	Ⓜ I (M1) [Ex ia Ma] I	Ⓜ I (M1) [Ex ia Ma] I
Certificates	ATEX (BVS), Canada (UL), China (CQM), IECEx (BVS), India (PESO), Korea (KTL), SIL (BVS), USA (UL)	ATEX (BVS), Canada (UL), China (CQM), IECEx (BVS), India (PESO), Korea (KTL), SIL (BVS), USA (UL)
Ship approval	DNV	DNV
Declaration of Conformity	ATEX (EUK)	ATEX (EUK)
Safety Data		
Max. voltage U _e	25.2 V	25.2 V

Technical Data		
Variant	9265/16-11-10.	9265/26-11-10.
Safety Data		
Max. current I_e	93 mA	93 mA
Max. power P_e	587 mW	587 mW
Safety-related max. voltage	253 V	253 V
Output		
Max. load resistance R_L	700 Ω	700 Ω
Ambient Conditions		
Ambient temperature	-40 °C ... +70 °C	-40 °C ... +70 °C
Storage temperature	-40 °C ... +85 °C	-40 °C ... +85 °C
Mounting / Installation		
Mounting type	DIN rail NS35/15, NS35/7.5	DIN rail NS35/15, NS35/7.5

Technical Drawings – Subject to Alterations

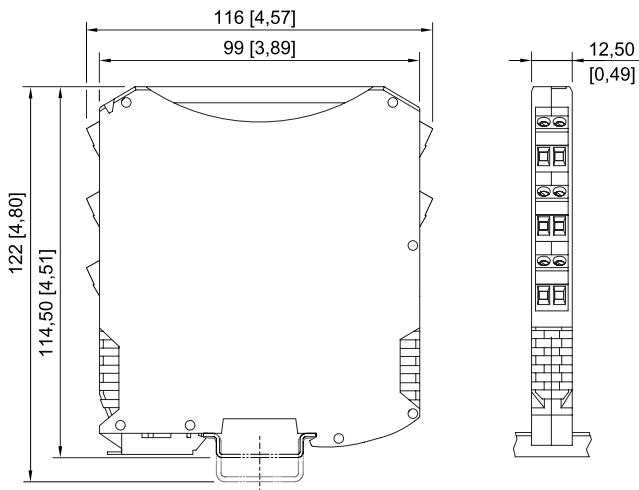


Accessories

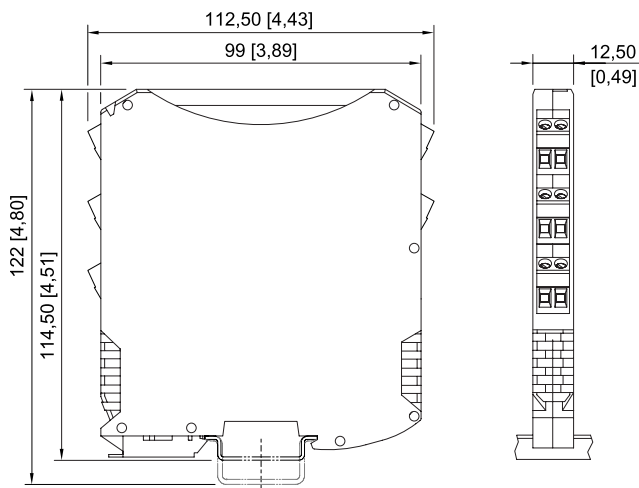
Figure	Description	Art. No.	Weight
Supply module			
	Redundant supply of 24 V DC auxiliary power (with fuse) and reading out the collective error message from Series 92xx ISpac modules which support this function. Screw terminal connection	268183	135 g
	Redundant supply of 24 V DC auxiliary power (with fuse) and reading out the collective error message from Series 92xx ISpac modules which support this function. Spring clamp terminal connection	268184	135 g
pac-Bus			
	Wiring auxiliary power and collective error message	262928	6 g

Dimensional Drawings (All Dimensions in mm [inches]) – Subject to Alterations

A3



ISpac Series 9260, 9270, 9275, 9276, 9282 with spring clamp terminal



ISpac Series 9260, 9265, 9270, 9275, 9276, 9282 with screw terminal