

6525/2124-1701-6021-331 Art. No. 282307



- Stainless steel enclosure as standard for a long service life and safety even under harsh ambient conditions
- Extremely wide range of ambient temperatures – between -60 °C and +60 °C
- Robust design with IK10 and IP66
- Wide-range input with optional 100 V to 277 V
- DALI versions available for lighting control, monitoring and switching

MY R. STAHL 6525C



The wide-range input now also meets the electrical installation conditions for global use. With an optional DALI interface, the floodlight paves the way to a digital lighting solution. Its extremely low start-up current can also support existing installations, as the circuit breakers that are already installed do not need to be replaced.

Technical Data

Explosion Protection

| | |
|---------------------------------|---|
| Application range (zones) | 2, 21, 22 |
| IECEX gas certificate | IECEX EPS 15.0032 |
| IECEX gas explosion protection | Ex nR IIC T5 Gc |
| IECEX dust certificate | IECEX EPS 15.0032 |
| IECEX dust explosion protection | Ex tb op is IIIC T80 °C Db |
| ATEX gas certificate | EPS 15 ATEX 1 991 |
| ATEX gas explosion protection | Ⓔ II 3 G Ex nR IIC T5 Gc |
| ATEX dust certificate | EPS 15 ATEX 1 991 |
| ATEX dust explosion protection | Ⓔ II 2 D Ex tb op is IIIC T80 °C Db |
| Certificates | ATEX (BVIS), IECEX (BVIS), India (PESO) |

Electrical Data

| | |
|------------------------------|---------------|
| Rated operational voltage AC | 110 ... 277 V |
| Frequency range | 50 – 60 Hz |

Lighting Data

| | |
|--------------------|------------|
| Lamp wattage | 100 W |
| Lamp type | LED |
| Lamp | LED |
| Light colour | Cool white |
| Light distribution | Wide beam |
| Luminaire efficacy | 123 lm/W |
| Luminous flux | 12315 lm |
| Colour rendering | ≥ 70 |
| Colour temperature | 5700 K |

Ambient Conditions

| | |
|---------------------|-------------------|
| Ambient temperature | -50 °C ... +60 °C |
| Storage temperature | -40 °C ... +75 °C |

6525/2124-1701-6021-331 Art. No. 282307

Mechanical Data

| | |
|---|---|
| Degree of protection (IP) | IP66 |
| Class | I |
| Enclosure material | Stainless steel 1.4301, Powder-coated Single-layer powder-coated |
| Enclosure colour | Similar to RAL 9010 |
| Sealing material | Silicone |
| Pane material | Reinforced glass |
| Max. solid connection terminals | 6 mm ² |
| Max. finely stranded connection terminals | 4 mm ² |
| Type of connection cable | Finely stranded Solid |
| Width | 400 mm |
| Height | 70 mm |
| Length | 520 mm |
| Impact strength (IEC 62262) | IK10 |
| Mounting | With bracket, SS304 |
| Weight | 15.5 kg |
| Weight | 34.17 lb |

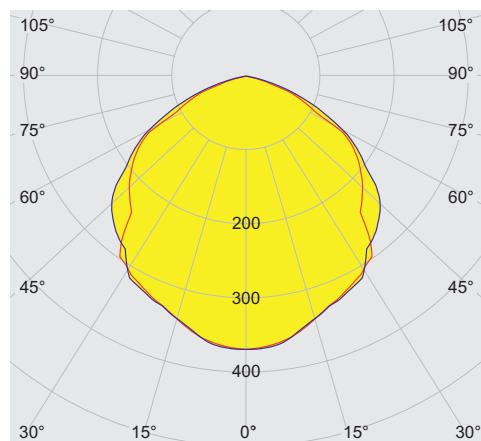
Mounting / Installation

| | |
|---------------------|----------|
| Note about mounting | Provided |
|---------------------|----------|

Components

| | |
|--------------------------|----------------------------|
| Drilled holes | 3 x M20 |
| Cable glands and entries | CMP-20A2F 1 x M20 x 1.5 |
| Material cable gland | Nickel-plated brass |
| Cable entry accessories | 1 x with plug |
| Stopping plugs | 1 x M20 x 1.5 |
| Stopping plug material | Polyamide, black |

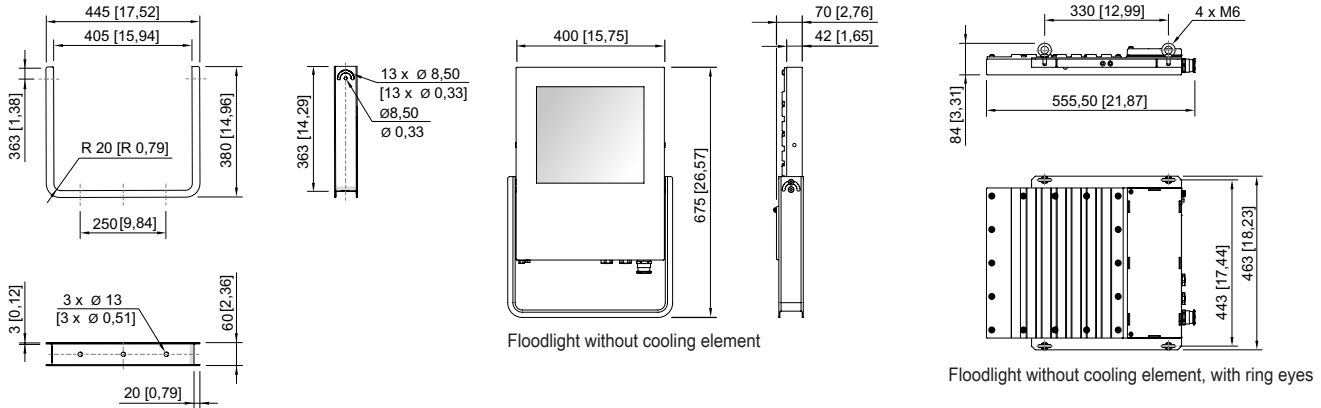
Light Distribution Curves



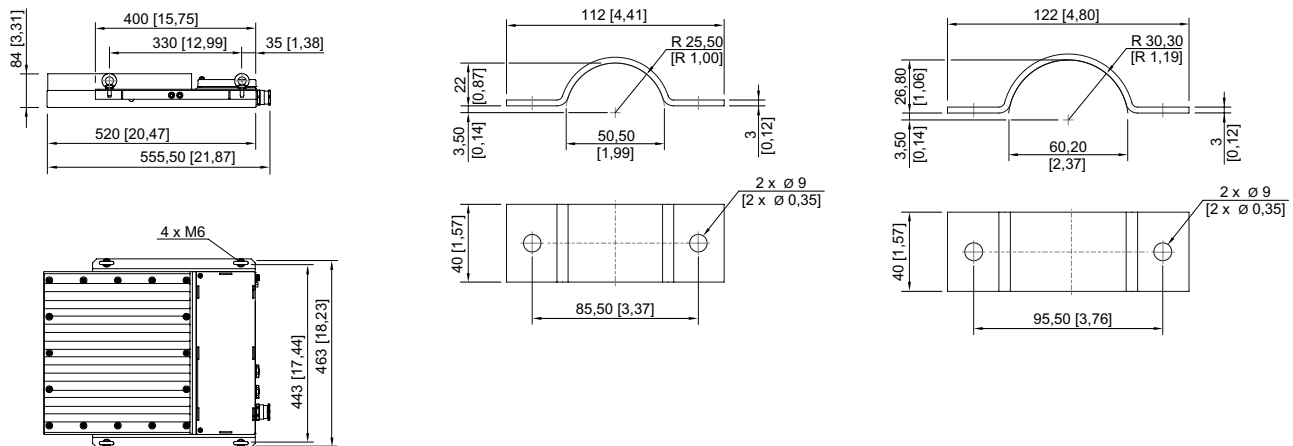
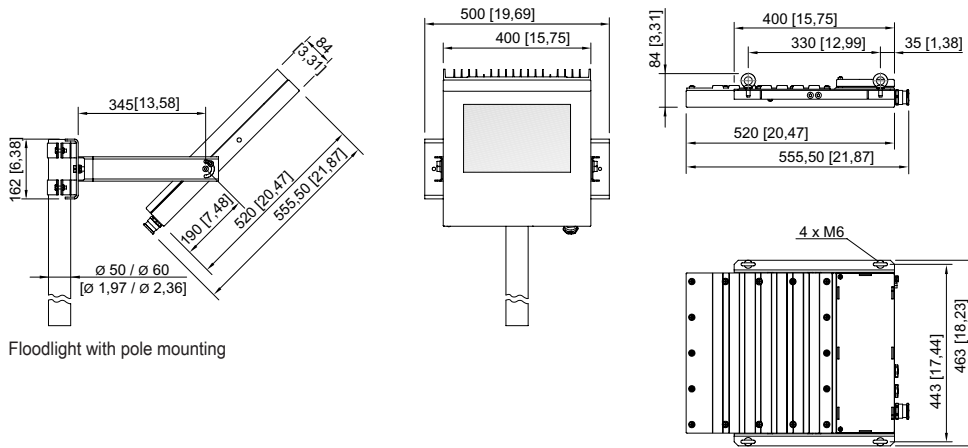
cd/klm 100%
 — C0 - C180 — C90 - C270
 typ. broad beam

6525/2124-1701-6021-331 Art. No. 282307

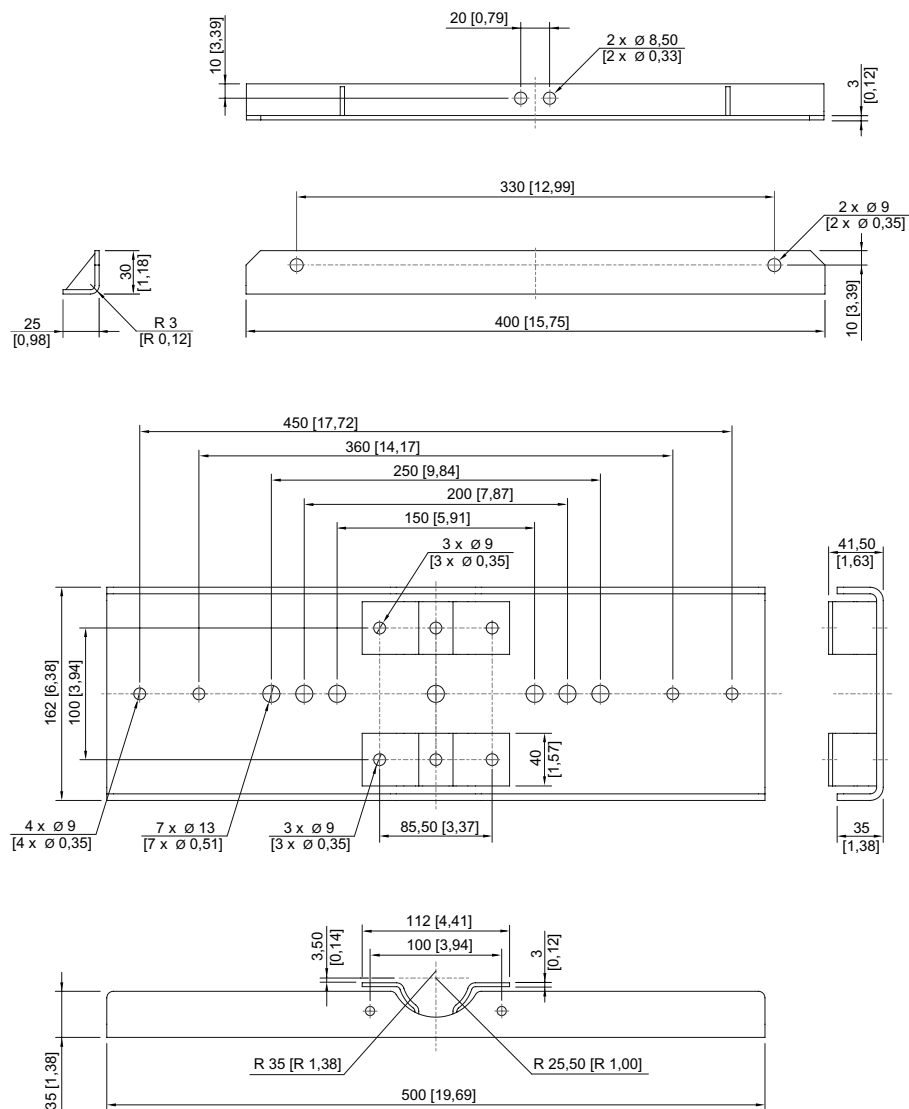
Dimensional Drawings (All Dimensions in mm [inches]) – Subject to Alterations



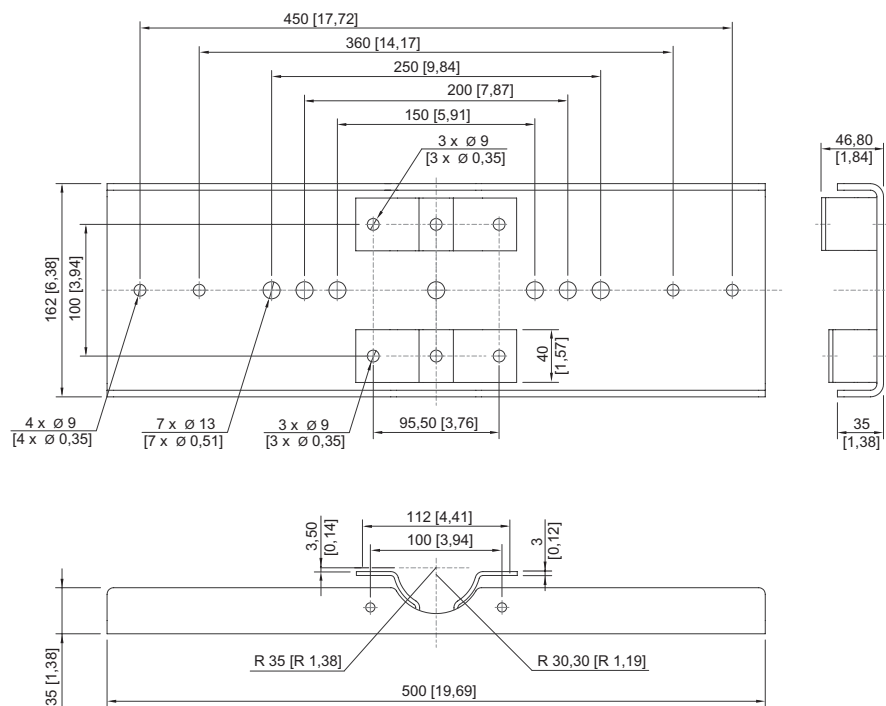
Mounting bracket



6525/2124-1701-6021-331 Art. No. 282307



6525/2124-1701-6021-331 Art. No. 282307



Accessories

Mounting bracket

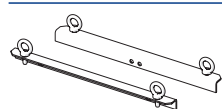


Stainless steel SS316L (1.4404 or V4A) without powder coating

Art. No.

221589

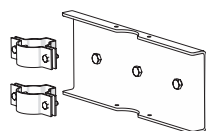
Mounting set



for pendant mounting with ring bolts included - stainless steel SS316L (1.4404 or V4A) without powder coating

Art. No.

257464



for pole mounting with pole diameter of 50 mm - stainless steel SS316L (1.4404 or V4A) without powder coating

Art. No.

283361

for pole mounting with pole diameter of 60 mm - stainless steel SS316L (1.4404 or V4A) without powder coating

Art. No.

263824

We reserve the right to make alterations to the technical data, dimensions, weights, designs and products available without notice. The illustrations cannot be considered binding.