

6525/2124-1701-6021-331 Art. No. 282307



- Stainless steel enclosure as standard for a long service life and safety even under harsh ambient conditions
- Extremely wide range of ambient temperatures – between -60 °C and +60 °C
- Robust design with IK10 and IP66
- Wide-range input with optional 100 V to 277 V
- DALI versions available for lighting control, monitoring and switching

MY R. STAHL 6525C



The wide-range input now also meets the electrical installation conditions for global use. With an optional DALI interface, the floodlight paves the way to a digital lighting solution. Its extremely low start-up current can also support existing installations, as the circuit breakers that are already installed do not need to be replaced.

### Technical Data

<b>Explosion Protection</b>	
Application range (zones)	2, 21, 22
IECEX gas certificate	IECEX EPS 15.0032
IECEX gas explosion protection	Ex nR IIC T5 Gc
IECEX dust certificate	IECEX EPS 15.0032
IECEX dust explosion protection	Ex tb op is IIIC T80 °C Db
ATEX gas certificate	EPS 15 ATEX 1 991
ATEX gas explosion protection	⊕ II 3 G Ex nR IIC T5 Gc
ATEX dust certificate	EPS 15 ATEX 1 991
ATEX dust explosion protection	⊕ II 2 D Ex tb op is IIIC T80 °C Db
Certificates	ATEX (BVIS), IECEX (BVIS), India (PESO)
<b>Electrical Data</b>	
Rated operational voltage AC	110 ... 277 V
Frequency range	50 – 60 Hz
<b>Lighting Data</b>	
Lamp wattage	100 W
Lamp type	LED
Lamp	LED
Light colour	Cool white
Light distribution	Wide beam
Luminaire efficacy	123 lm/W
Luminous flux	12315 lm
Colour rendering	≥ 70
Colour temperature	5700 K
<b>Ambient Conditions</b>	
Ambient temperature	-50 °C ... +60 °C
Storage temperature	-40 °C ... +75 °C

6525/2124-1701-6021-331 Art. No. 282307

### Mechanical Data

Degree of protection (IP)	IP66
Class	I
Enclosure material	Stainless steel 1.4301, Powder-coated Single-layer powder-coated
Enclosure colour	Similar to RAL 9010
Sealing material	Silicone
Pane material	Reinforced glass
Max. solid connection terminals	6 mm <sup>2</sup>
Max. finely stranded connection terminals	4 mm <sup>2</sup>
Type of connection cable	Finely stranded Solid
Width	400 mm
Height	70 mm
Length	520 mm
Impact strength (IEC 62262)	IK10
Mounting	With bracket, SS304
Weight	15.5 kg
Weight	34.17 lb

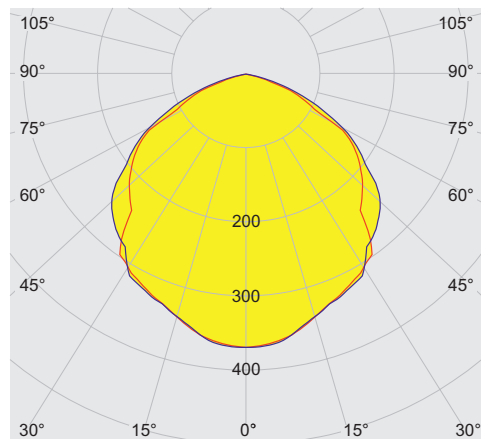
### Mounting / Installation

Note about mounting	Provided
---------------------	----------

### Components

Drilled holes	3 x M20
Cable glands and entries	CMP-20A2F 1 x M20 x 1.5
Material cable gland	Nickel-plated brass
Cable entry accessories	1 x with plug
Stopping plugs	1 x M20 x 1.5
Stopping plug material	Polyamide, black

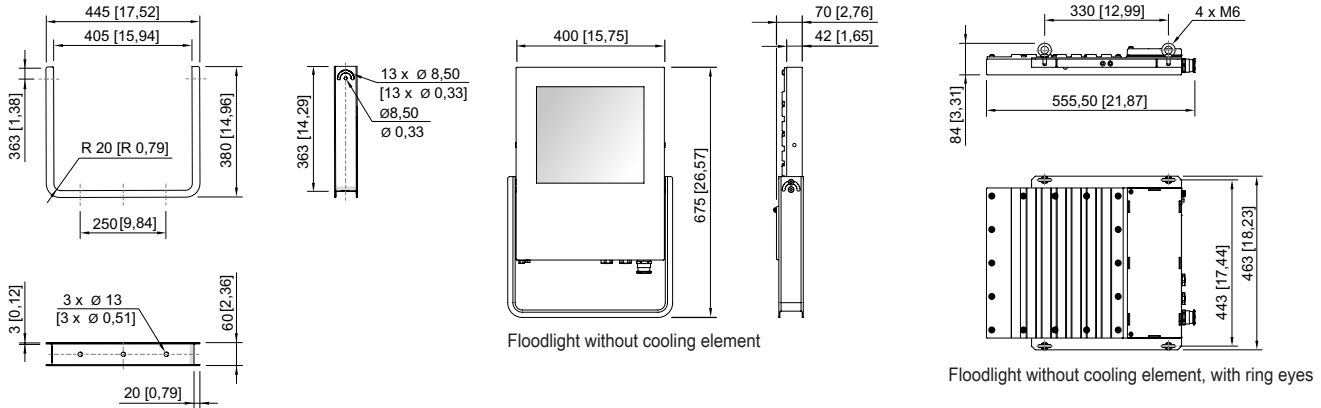
### Light Distribution Curves



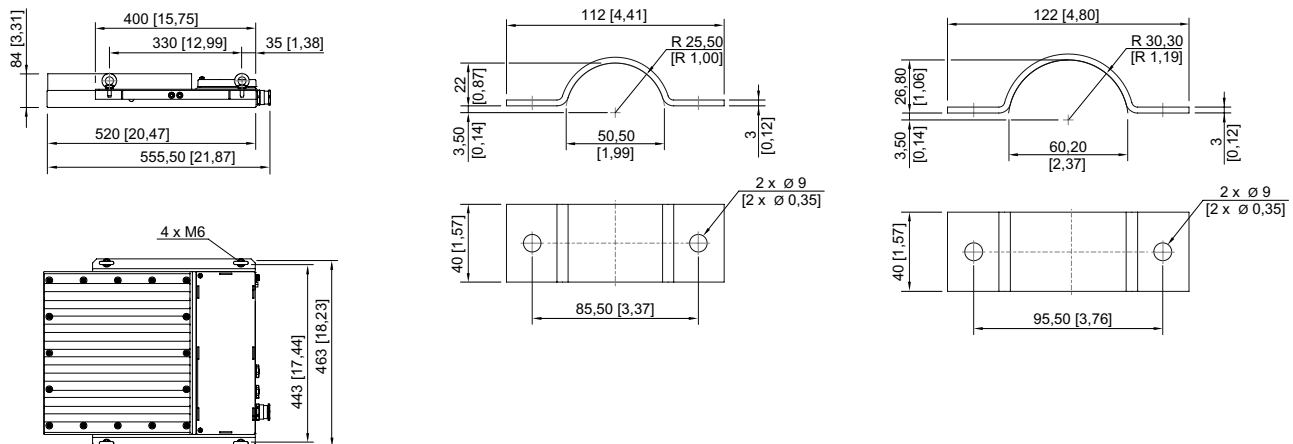
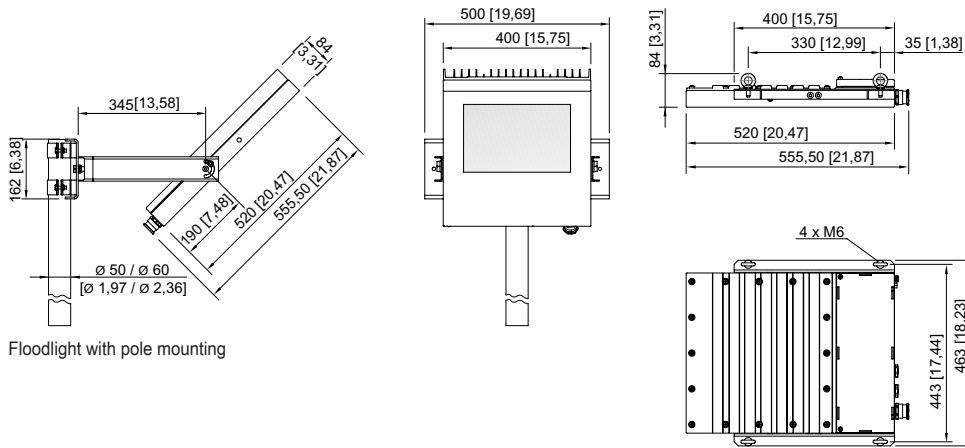
cd/klm 100%  
 — C0 - C180 — C90 - C270  
 typ. broad beam

6525/2124-1701-6021-331 Art. No. 282307

Dimensional Drawings (All Dimensions in mm [inches]) – Subject to Alterations



Mounting bracket



6525/2124-1701-6021-331 Art. No. 282307

